

HWH SPACEMAKER SLIDE-OUT FLOOR-LIFT SYSTEM

Slide-Out Platform Lift

Two-Cylinder Configuration

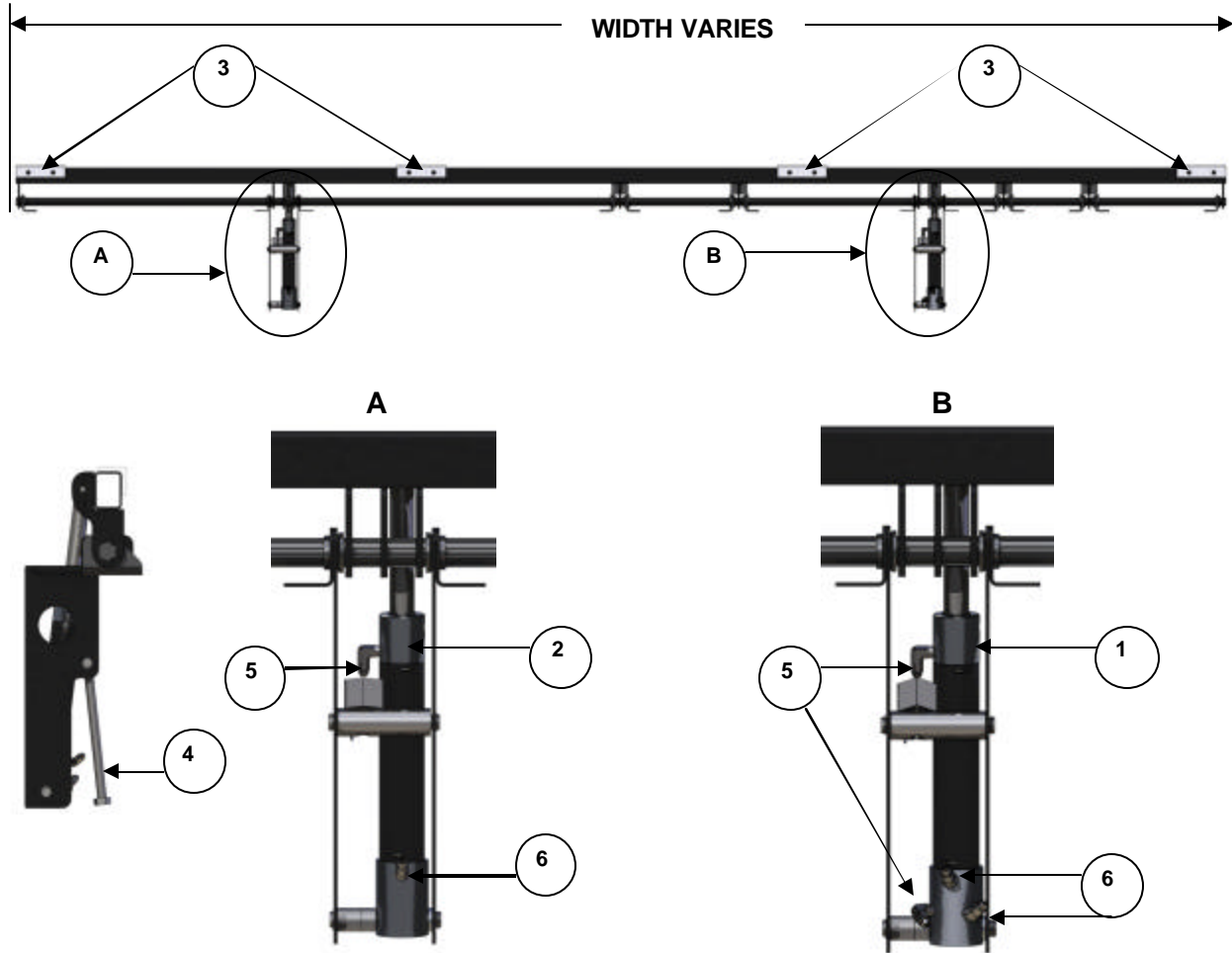
(File: MR41.4005.DOC | Revised: 22MAY17)

> [PrintFriendly PDF File](#)

The diagrams below represent the **TYPICAL PLATFORM LIFT ASSEMBLY** as described above.

The information on this page is similar in all adaptations of the base model.

* Slide-out parts that have been adapted to OEM specifications can be found in the **OEM-Specific Parts Guide > [MR40.HTML](#)**.



ITEM	ORDER#	QTY	DESCRIPTION
1	RAP93139	1	CYLINDER ASSY VLV SEQ 4.8" (AP44387)
2	RAP93140	1	CYLINDER ASSY 1.25X4.8 (AP44395)
3	RAP93210	1	ANGLE BEARING PAD KIT
3A		1	BEARING PAD
3B		4	3/16" RIVETS

ITEM	ORDER#	QTY	DESCRIPTION
4	RAP93507	1	MANUAL RETRACT SCREW
5	RF1453	1	4-CTX-S 90D ELBOW
6	RF5996	1	4-VTX-S 45D ELBOW

NOTE: Indented items included with preceding item.