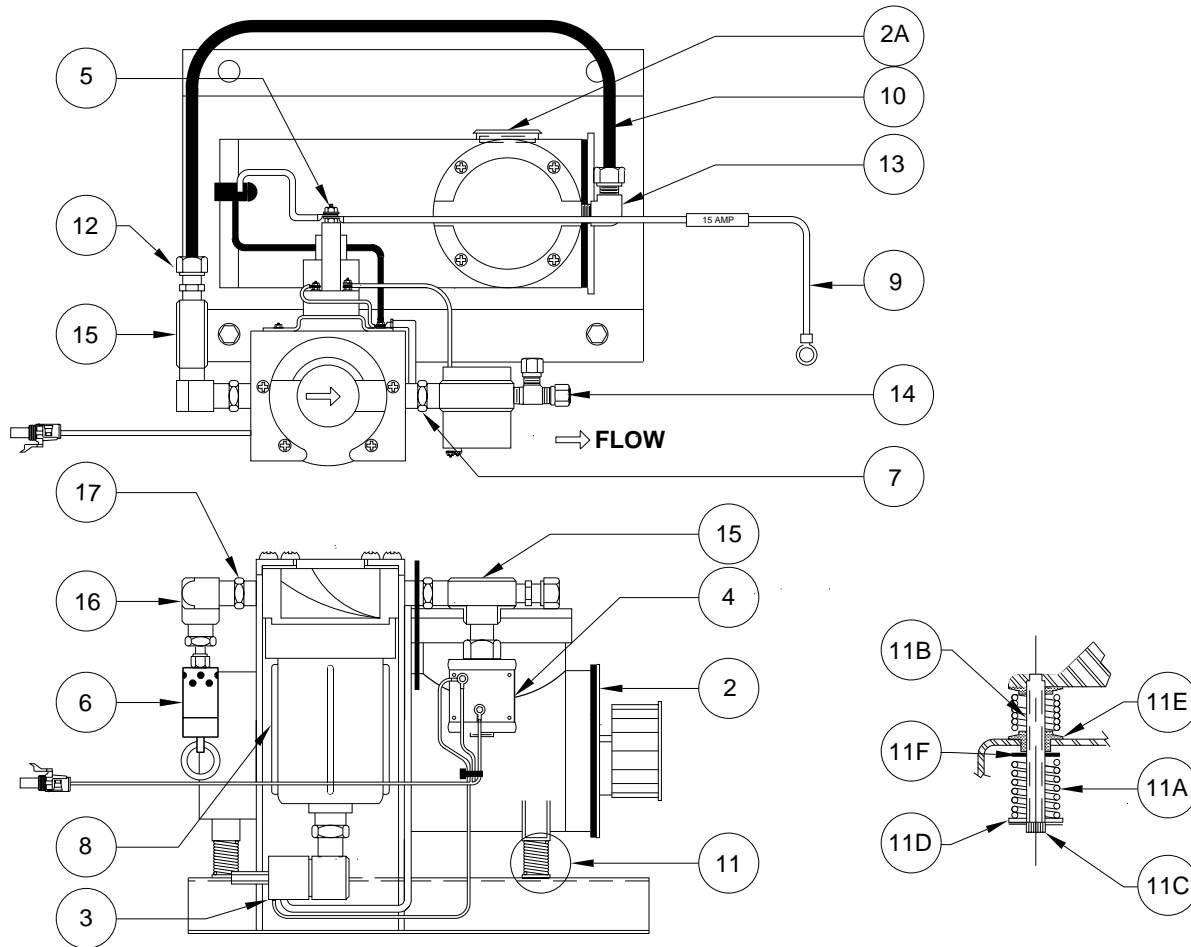


# COMPRESSOR, AIR - 1 OUTPUT, THOMAS (AP16634)



## THOMAS AIR COMPRESSOR ASSEMBLY

ITEM	PART	QTY	DESCRIPTION	ITEM	PART	QTY	DESCRIPTION
1	RAP90620		AIR COMPRESSOR (COMPLETE 12 VOLT)	11	RAP6562	1	SPRING KIT
2	RAP6192	1	COMPRESSOR 12 VOLT	11A		6	SPRING
2A	RAP6563	1	FILTER KIT (FILTER AND PLUG)	11B		3	SPACER
3	RAP6354	1	SOLENOID VALVE (NORMALLY OPEN)	11C		3	SHCS
4	RAP5886	1	SWITCH PRESSURE (NORMALLY CLOSED)	11D		3	WASHER
5	RP5512	1	SOLENOID (12 VOLT ESSEX)	11E		3	SPRING SUPPORT
6	RP5869	1	RELIEF VALVE	11F		3	RING
7	RP5597	1	CHECK VALVE	12	RF6549	1	MALE CONNECTOR AIR 1/4" X 1/4"
8	RAP5883	1	INLET FILTER (REPLACES RAP5935)	13	RF6791	1	BRASS ELBOW AIR 1/8" X 1/4"
9	RAP6551	1	LEAD WITH FUSE 15 AMP	14	RF90579	1	MALE RUN TEE 1/4" X 3/8" X 3/8"
10	RP6566	1	AIR LINE 1/4"	15	RF5887	2	BRASS TEE 1/4"
				16	RF3340	1	BRASS ELBOW 1/4" 1/4"
				17	RF6011	1	BRASS NIPPLE 1/4"