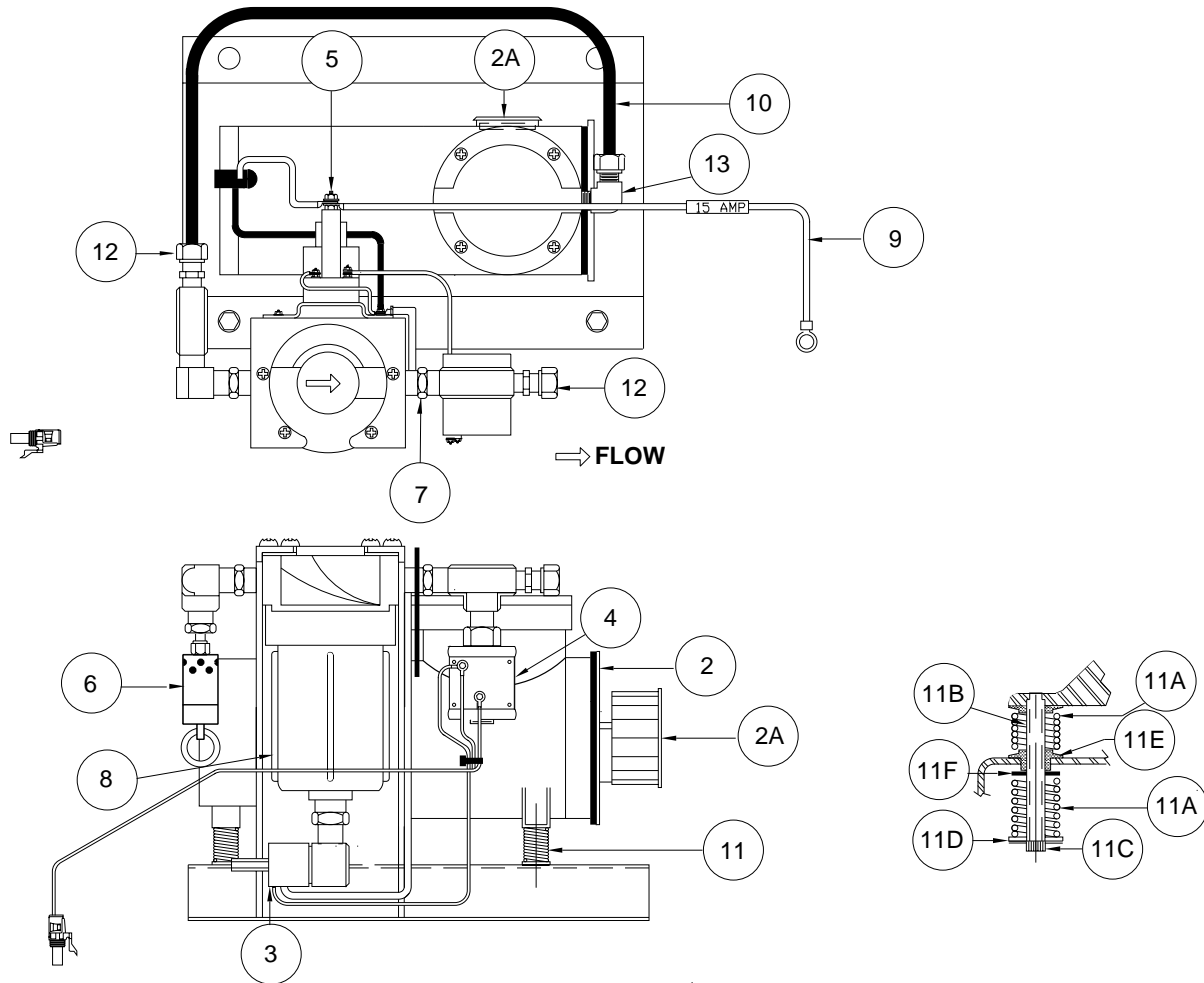


COMPRESSOR, AIR - 1 OUTPUT, THOMAS (AP6929) (STANDARD COMPRESSOR BEGINNING 1990)



**THOMAS
AIR COMPRESSOR ASSEMBLY**

ITEM	PART	QTY	DESCRIPTION	ITEM	PART	QTY	DESCRIPTION
1	RAP6929		AIR COMPRESSOR (COMPLETE 12 VOLT)	9	RAP6551	1	LEAD WITH FUSE 15 AMP
2	RAP6192	1	COMPRESSOR 12 VOLT	10	RP6566	1	AIR LINE 1/4"
2A	RAP6563	1	FILTER KIT (FILTER AND PLUG)	11	RAP6562	1	SPRING KIT
3	RAP6354	1	SOLENOID VALVE (NORMALLY OPEN)	11A		6	SPRING
4	RAP9136	1	SWITCH PRESSURE (NORMALLY CLOSED)	11B		3	SPACER
5	RP5512	1	SOLENOID (12 VOLT ESSEX)	11C		3	SHCS
6	RP5869	1	RELIEF VALVE	11D		3	WASHER
7	RP5597	1	CHECK VALVE	11E		3	SPRING SUPPORT
8	RAP5883	1	INLET FILTER (REPLACES RAP5935)	11F		3	RING
				12	RF6549	2	MALE CONNECTOR AIR 1/4" X 1/4"
				13	RF6791	1	BRASS ELBOW AIR 1/8" X 1/4"