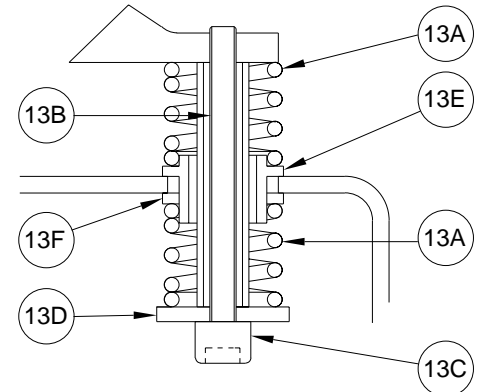
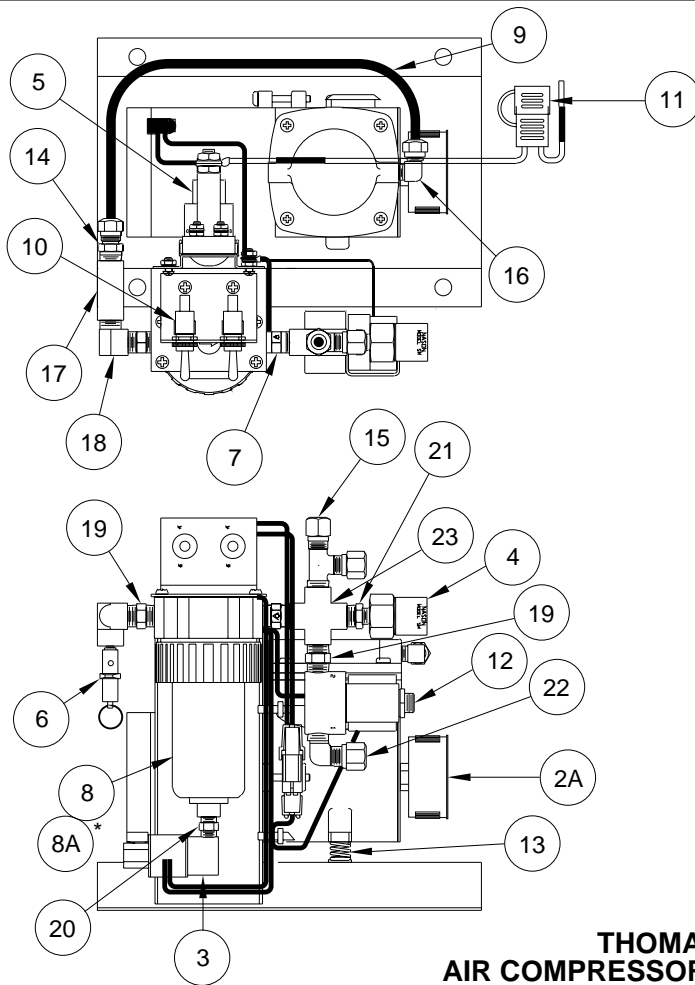
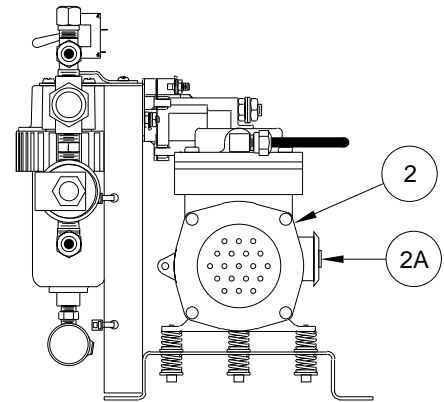


COMPRESSOR, AIR - 3 OUTPUT, THOMAS (AP28348)



* IF EXISTING FILTER ASSEMBLY HAS A THREADED BOWL, A COMPLETE FILTER ASSEMBLY WILL HAVE TO BE ORDERED.



THOMAS AIR COMPRESSOR ASSEMBLY

ITEM	PART	QTY	DESCRIPTION	ITEM	PART	QTY	DESCRIPTION
1	RAP91891		AIR COMPRESSOR (COMPLETE 12 VOLT)	13	RAP6562	1	SPRING KIT
2	RAP6192	1	COMPRESSOR 12 VOLT	13A		6	SPRING
2A	RAP6563	1	FILTER KIT (FILTER AND PLUG)	13B		3	SPACER
3	RAP90911	1	SOLENOID VALVE (NORMALLY OPEN)	13C		3	SHCS
4	RAP91344	1	SWITCH PRESSURE (NORMALLY CLOSED)	13D		3	WASHER
5	RP5512	1	RELAY (12 VOLT ESSEX)	13E		3	SPRING SUPPORT
6	RP5869	1	AIR SAFETY VALVE	13F		3	RING
7	RP5597	1	CHECK VALVE	14	RF6549	1	MALE CONNECTOR BRASS 1/4" X 1/4"
8	RAP5883	1	FILTER ASSEMBLY (REPLACES RAP5935)	15	RF90579	1	1/4" NPT TO 3/8" TUBE TEE
8A	RAP90539	1	REPLACEMENT BOWL	16	RF6791	1	BRASS ELBOW 1/8" X 1/4"
9	RP6566	1	AIRLINE 1/4"	17	RF5887	1	BRASS TEE 1/4"
10	RAP2354	2	TOGGLE SWITCH	18	RF3340	1	BRASS ELBOW 1/4" X 1/4"
11	RAP6551	1	HARNESS FUSED 15 AMP FUSE	19	RF6011	2	BRASS NIPPLE 1/4"
12	RAP91775	1	SOLENOID VALVE (2 WAY)	20	RF90170	1	BRASS NIPPLE 1/8"
				21	RF90172	1	BRASS BUSHING 1/4" X 1/8"
				22	RF90164	1	BRASS ELBOW 1/4" TO 3/8" TUBE
				23	RF90675	1	BRASS CROSS 1/4"