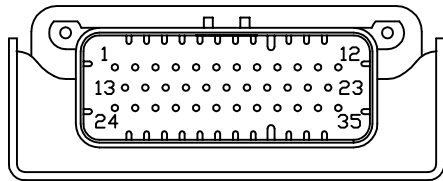
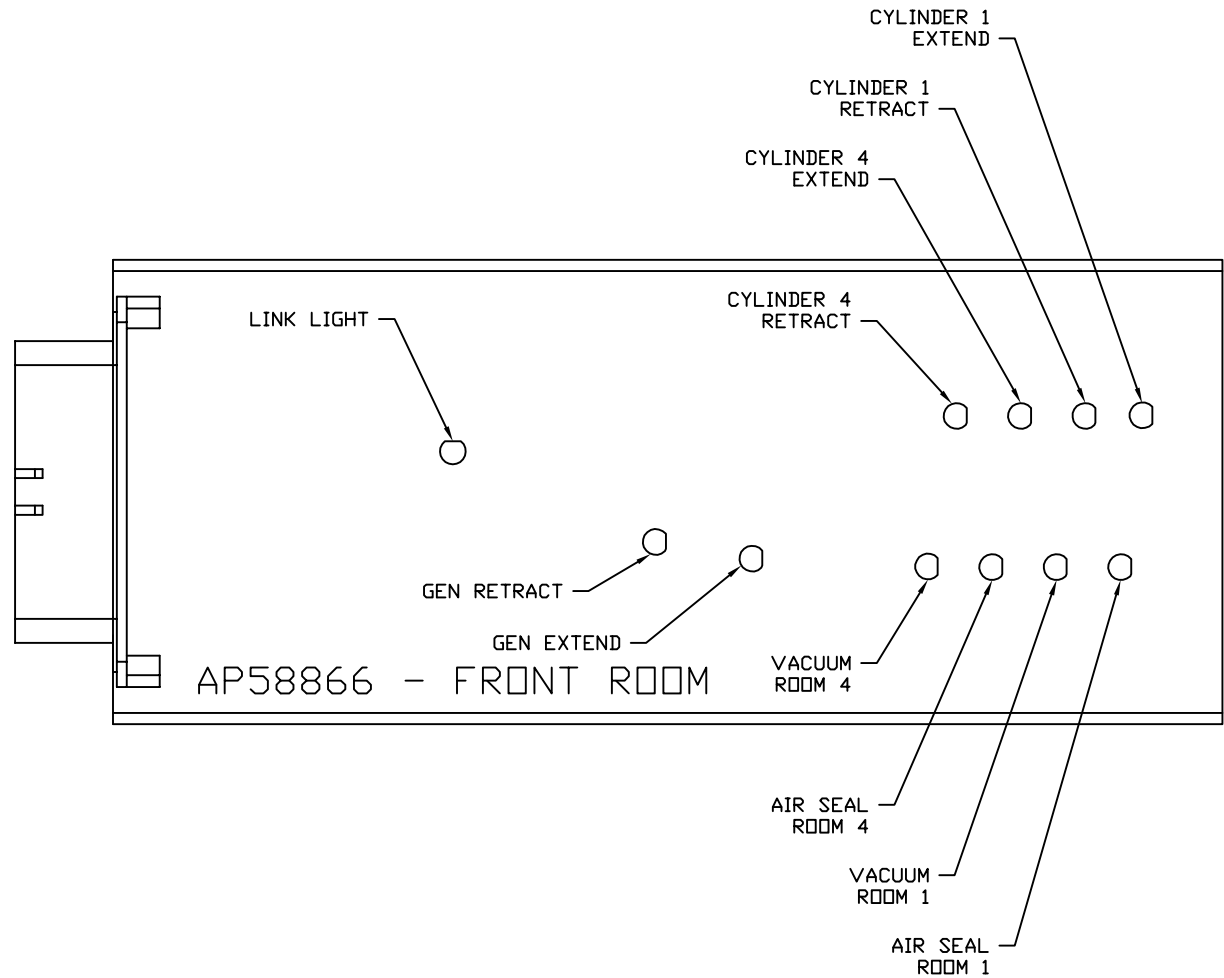


FRONT VIEW - AP58866

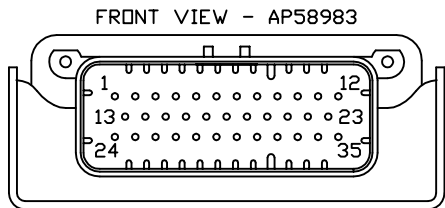


- PIN
1. N/C
 2. N/C
 3. N/C
 4. BLK(W5702) - ROOM 4 IN
 5. N/C
 6. BLK(W5800) - ROOM 1 VACUUM SENSE
 7. N/C
 8. N/C
 9. N/C
 10. N/C
 11. N/C
 12. N/C
 13. BLK(W5100) - GEN RETRACT
 14. N/C
 15. N/C
 16. BLK(W5803) - ROOM 4 VACUUM SENSE
 17. BLK(W5701) - ROOM 1 OUT
 18. N/C
 19. N/C
 20. N/C
 21. CAN SHIELD
 22. YELLOW - CAN HIGH
 23. GREEN - CAN LOW
 24. N/C
 25. N/C
 26. N/C
 27. BLK(W5700) - ROOM 4 OUT
 28. BLK(W5703) - ROOM 1 IN
 29. N/C
 30. N/C
 31. BLK(W5000) - GEN EXTEND
 32. WHT(W6230) - GROUND
 33. RED(W6800) - +12V TO LIMIT SWITCHES
 34. N/C
 35. RED(W6805) - SW. BATTERY FROM CENTRAL CONTROL MODULE
- NOTE: WIRE NUMBERS ON THIS SHEET ARE REFERENCED TO HARNESS PLUGS.



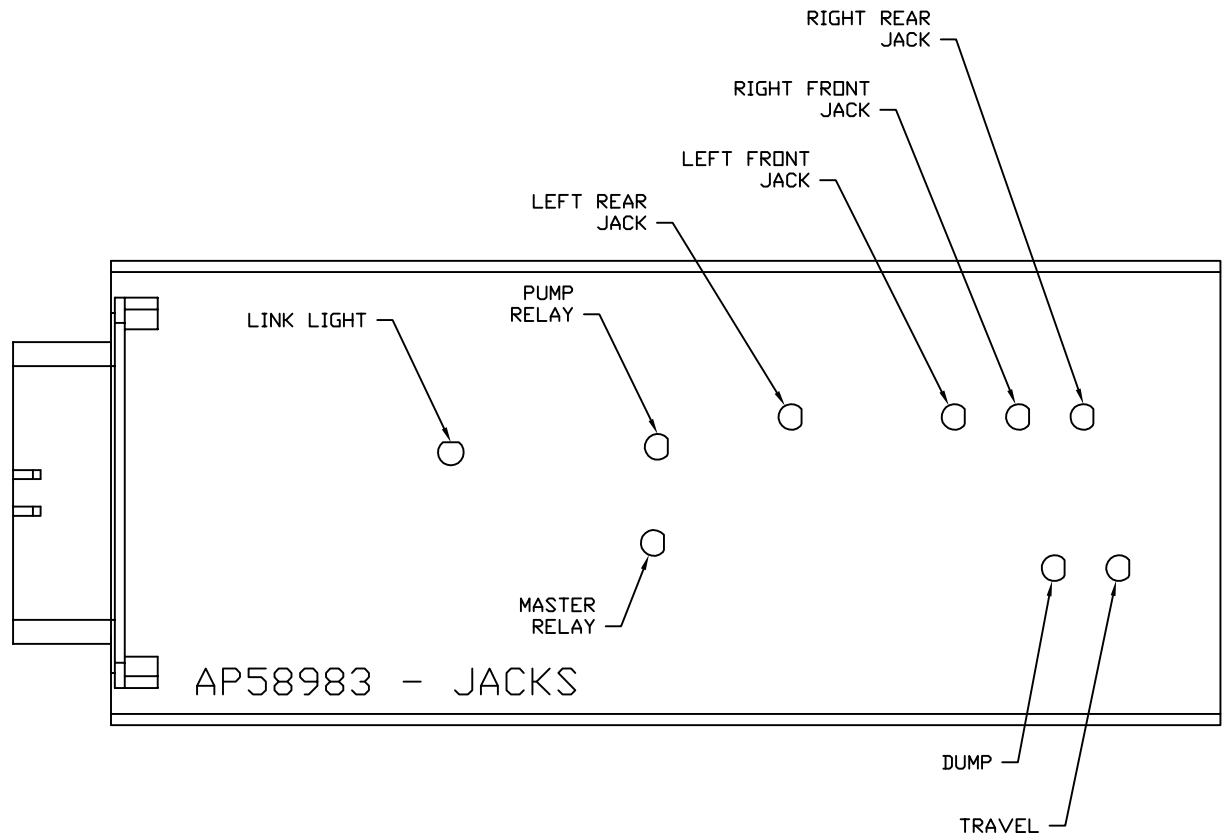
		HWH		I-80 EXIT 267 SOUTH RT 1 MOSCOW, IOWA 52760	
		SCALE 1:3	DATE 05DEC18	DRAWN BY .	
		SYSTEM SCHEMATIC ELEC			
NO.	DATE	REVISION			
THE INFORMATION DISCLOSED ON THIS DRAWING IS CONFIDENTIAL AND MUST NOT BE DISCLOSED OR USED IN ANY MANNER WHICH WILL BE DETRIMENTAL TO THE HWH CORPORATION			DRAWING NUMBER MP91435 A/H		

NOTE: INSTALLATION MUST CONFORM TO GOOD SHOP PRACTICES, SAE STANDARDS, RVIA STANDARDS, AND OTHER APPLICABLE STANDARDS.



- PIN
1. BLK(W9000) - PARK BRAKE
 2. N/C
 3. BLK(W8101) - 50 LB. PRESSURE SWITCH
 4. BLK(W0100) - LEFT SIDE SENSE
 5. BLK(W0400) - REAR SENSE
 6. BLK(W3000) - RIGHT REAR JACK WARNING SWITCH
 7. BLK(W2200) - RIGHT FRONT JACK PRESSURE SWITCH
 8. N/C
 9. RED(W6805) - SWITCHED BATTERY
 10. N/C
 11. WHT(W6235) - WARNING SWITCH GROUND
 12. N/C
 13. RED(W6110) - IGNITION SENSE
 14. N/C
 15. N/C
 16. BLK(W0300) - RIGHT SIDE SENSE
 17. BLK(W2000) - RIGHT FRONT JACK WARNING SWITCH
 18. BLK(W1200) - LEFT FRONT JACK PRESSURE SWITCH
 19. N/C
 20. WHT(W6230) - TOUCH PANEL GROUND
 21. CAN SHIELD
 22. YELLOW - CAN HIGH
 23. GREEN - CAN LOW
 24. N/C
 25. BLK(W4200) - LEFT REAR JACK PRESSURE SWITCH
 26. BLK(W8100) - 3000 LB. PRESSURE SWITCH
 27. BLK(W0200) - FRONT SENSE
 28. BLK(W1000) - LEFT FRONT JACK WARNING SWITCH
 29. BLK(W4000) - LEFT REAR JACK WARNING SWITCH
 30. BLK(W3200) - RIGHT REAR JACK PRESSURE SWITCH
 31. N/C
 32. WHT(W6231) - LEVEL SENSOR GROUND
 33. RED(W6112) - LEVEL SENSOR POWER
 34. RED(W6111) - TOUCH PANEL POWER
 35. BLK(W6110) - IGNITION

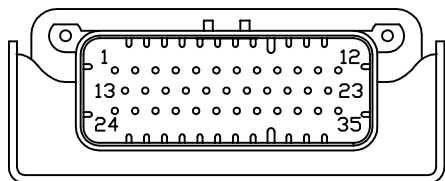
NOTE: WIRE NUMBERS ON THIS SHEET ARE REFERENCED TO HARNESS PLUGS.



NOTE: INSTALLATION MUST CONFORM TO GOOD SHOP PRACTICES, SAE STANDARDS, RVIA STANDARDS, AND OTHER APPLICABLE STANDARDS.

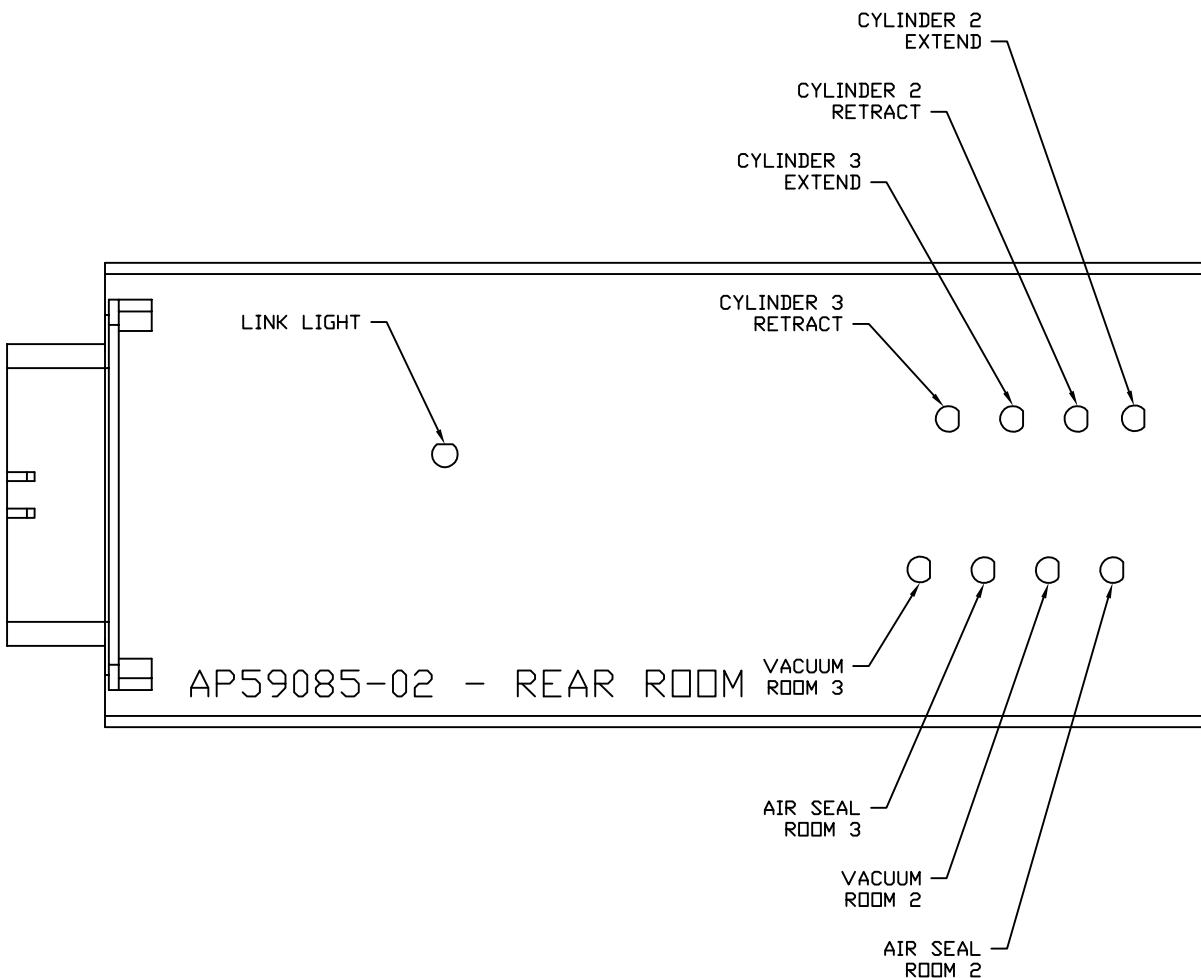
MP91435 B
05DEC18

FRONT VIEW - AP59085-02



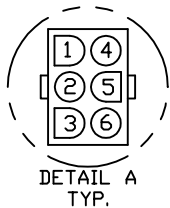
- PIN
1. N/C
 2. N/C
 3. N/C
 4. BLK(W5702) - ROOM 3 IN
 5. N/C
 6. BLK(W5801) - ROOM 2 VACUUM SENSE
 7. N/C
 8. N/C
 9. N/C
 10. N/C
 11. N/C
 12. N/C
 13. N/C
 14. N/C
 15. N/C
 16. BLK(W5802) - ROOM 3 VACUUM SENSE
 17. BLK(W5701) - ROOM 2 OUT
 18. N/C
 19. N/C
 20. N/C
 21. CAN SHIELD
 22. YELLOW - CAN HIGH
 23. GREEN - CAN LOW
 24. N/C
 25. N/C
 26. N/C
 27. BLK(W5700) - ROOM 3 OUT
 28. BLK(W5703) - ROOM 2 IN
 29. N/C
 30. N/C
 31. N/C
 32. WHT(W6230) - GROUND
 33. RED(W6800) - +12V TO LIMIT SWITCHES
 34. N/C
 35. RED(W6805) - SW. BATTERY FROM CENTRAL CONTROL MODULE

NOTE: WIRE NUMBERS ON THIS SHEET ARE REFERENCED TO HARNESS PLUGS.

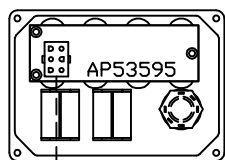
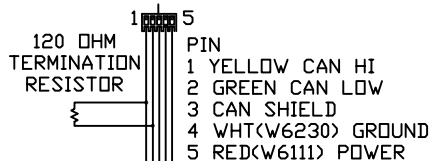
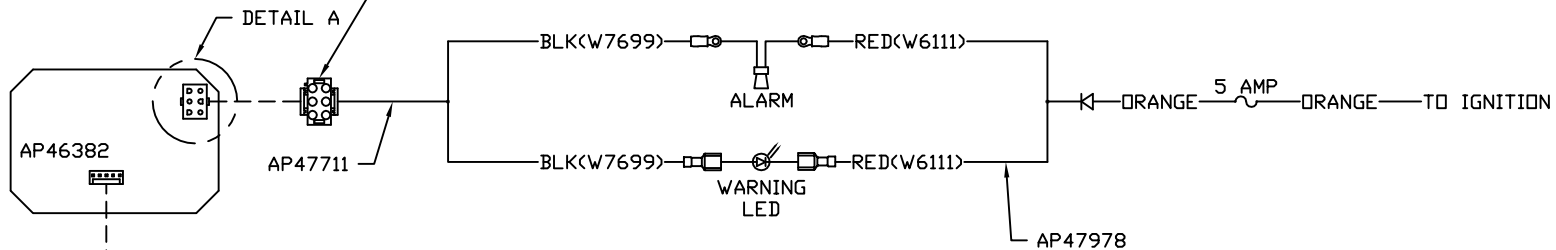


NOTE: INSTALLATION MUST CONFORM TO GOOD SHOP PRACTICES, SAE STANDARDS, RVIA STANDARDS, AND OTHER APPLICABLE STANDARDS.

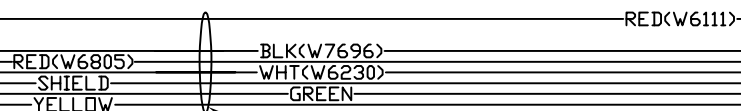
MP91435 C
05DEC18



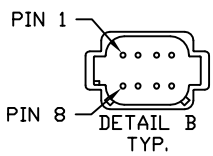
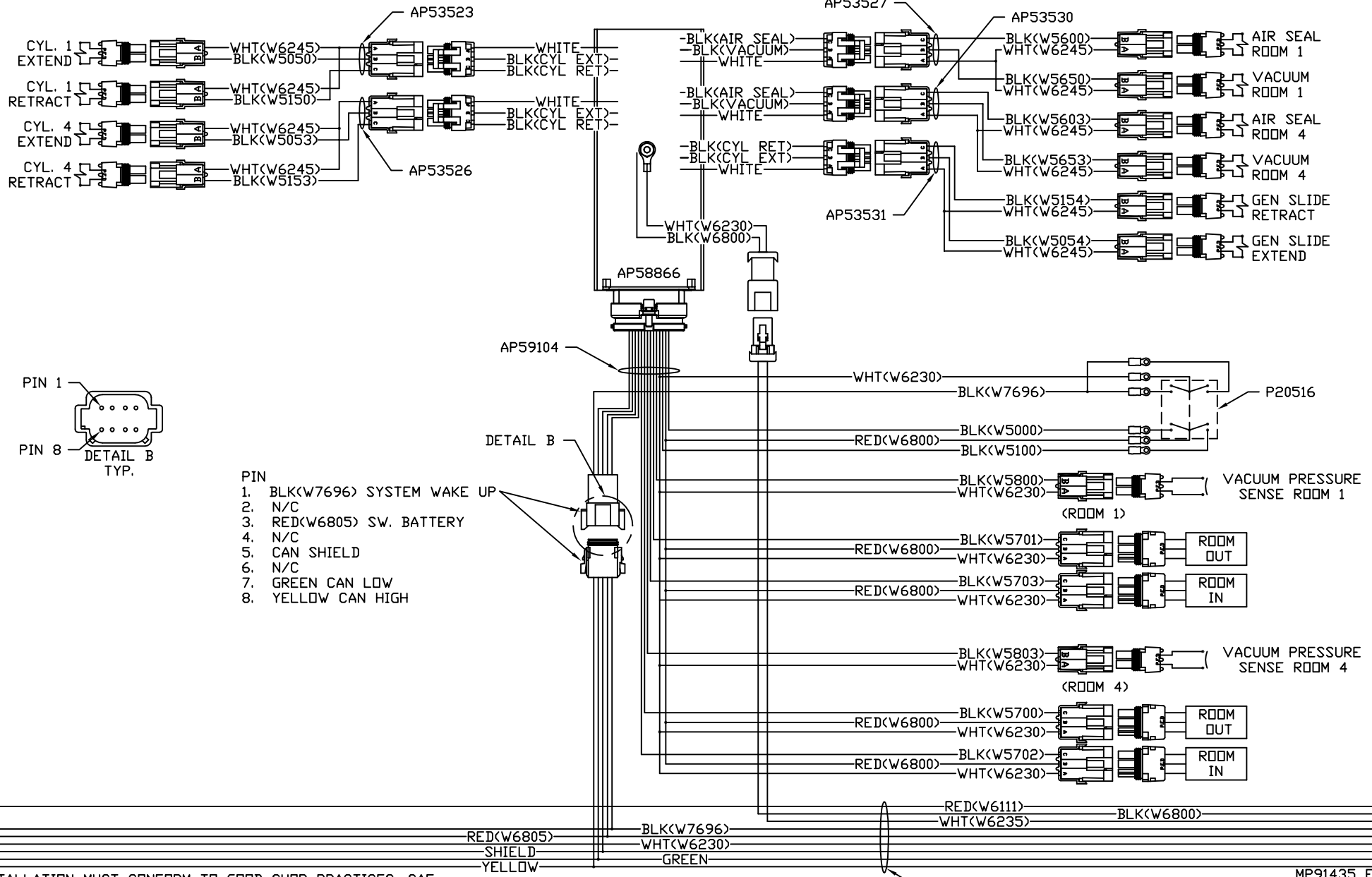
- PIN
- 1. N/C
 - 2. N/C
 - 3. N/C
 - 4. N/C
 - 5. BLK(W7699) WARNING LED/ALARM CONTROL
 - 6. N/C



- PIN
- 1 RED(W6805) SW. BATTERY
 - 2 WHT(W6230) GROUND
 - 3 CAN SHIELD
 - 4 GREEN CAN LOW
 - 5 YELLOW CAN HI
 - 6 BLK(W7696) SYSTEM WAKE UP

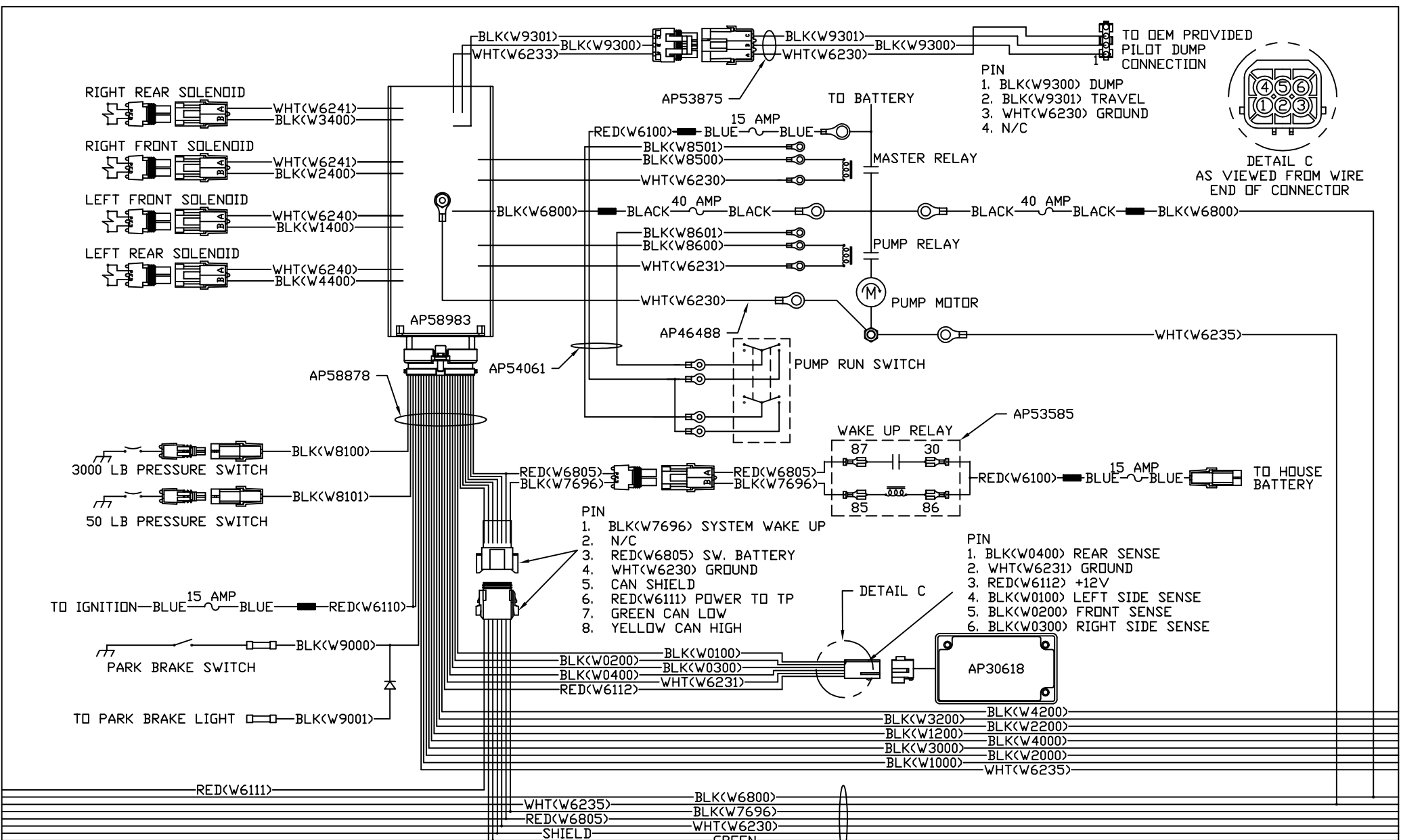


NOTE: INSTALLATION MUST CONFORM TO GOOD SHOP PRACTICES, SAE STANDARDS, RVIA STANDARDS, AND OTHER APPLICABLE STANDARDS.



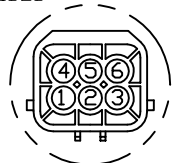
- PIN
- 1. BLK(W7696) SYSTEM WAKE UP
 - 2. N/C
 - 3. RED(W6805) SW. BATTERY
 - 4. N/C
 - 5. CAN SHIELD
 - 6. N/C
 - 7. GREEN CAN LOW
 - 8. YELLOW CAN HIGH

NOTE: INSTALLATION MUST CONFORM TO GOOD SHOP PRACTICES, SAE STANDARDS, RVIA STANDARDS, AND OTHER APPLICABLE STANDARDS.



TO DEM PROVIDED PILOT DUMP CONNECTION

PIN
 1. BLK(W9300) DUMP
 2. BLK(W9301) TRAVEL
 3. WHT(W6230) GROUND
 4. N/C

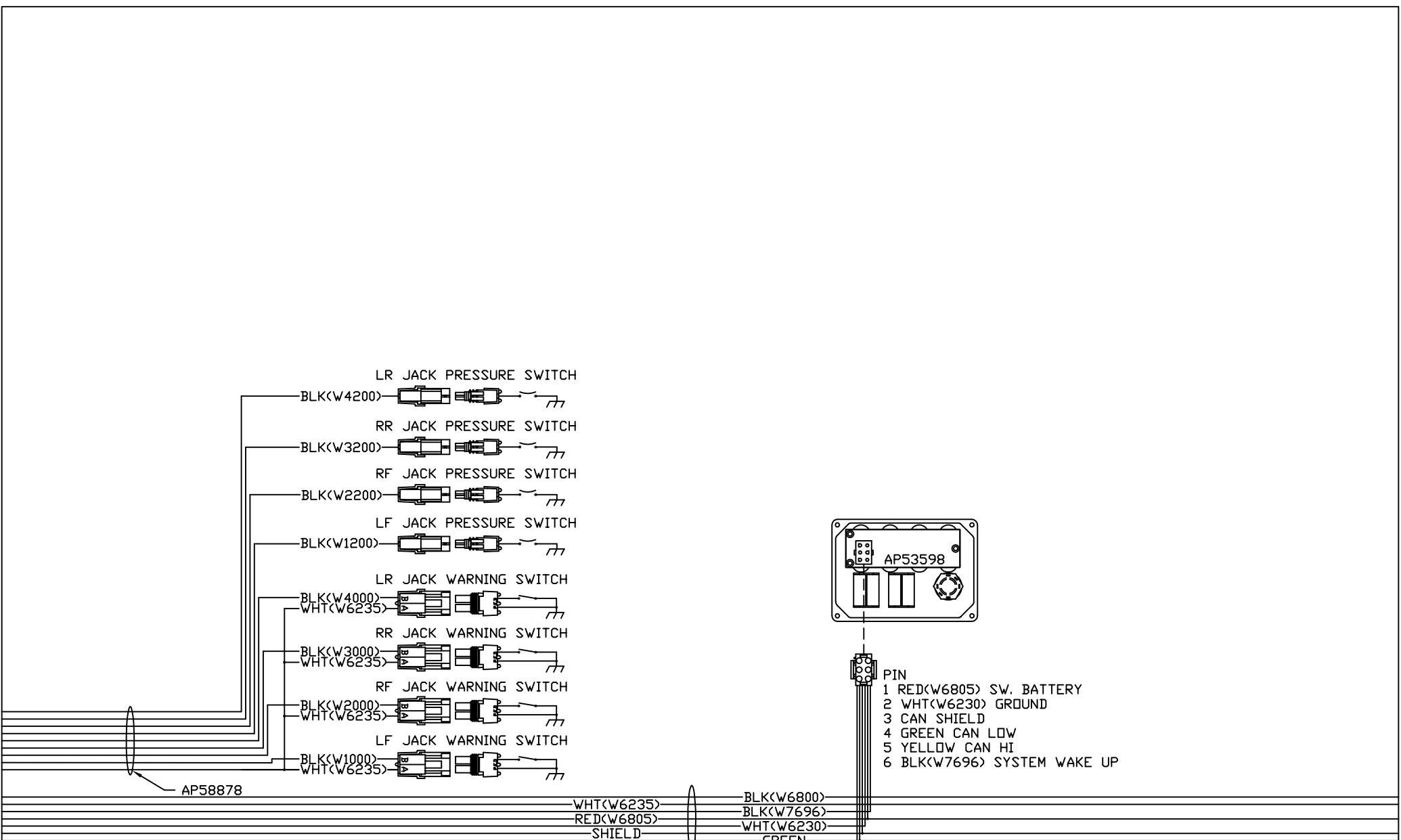


DETAIL C
 AS VIEWED FROM WIRE END OF CONNECTOR

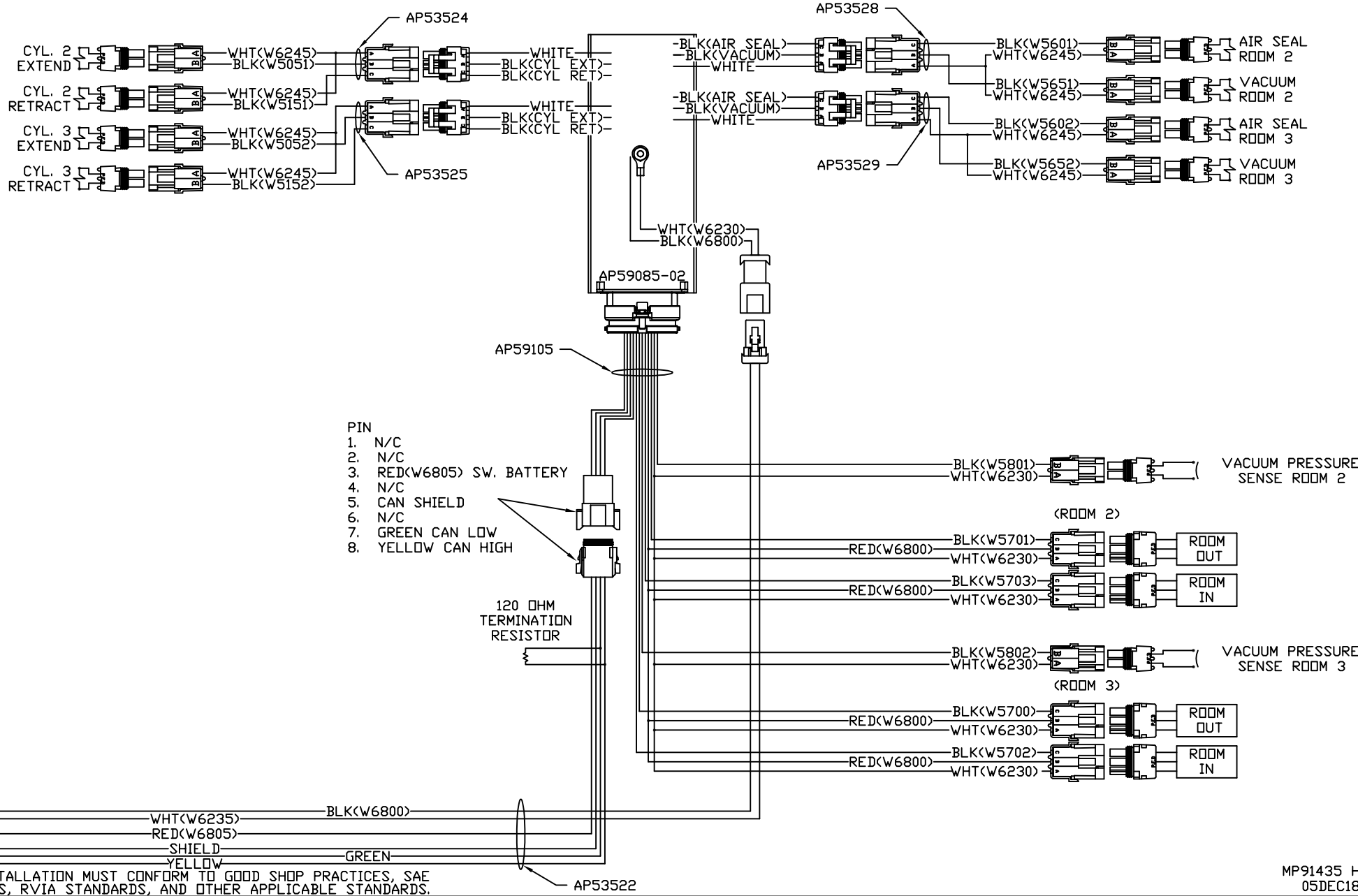
PIN
 1. BLK(W7696) SYSTEM WAKE UP
 2. N/C
 3. RED(W6805) SW. BATTERY
 4. WHT(W6230) GROUND
 5. CAN SHIELD
 6. RED(W6111) POWER TO TP
 7. GREEN CAN LOW
 8. YELLOW CAN HIGH

PIN
 1. BLK(W0400) REAR SENSE
 2. WHT(W6231) GROUND
 3. RED(W6112) +12V
 4. BLK(W0100) LEFT SIDE SENSE
 5. BLK(W0200) FRONT SENSE
 6. BLK(W0300) RIGHT SIDE SENSE

NOTE: INSTALLATION MUST CONFORM TO GOOD SHOP PRACTICES, SAE STANDARDS, RVIA STANDARDS, AND OTHER APPLICABLE STANDARDS.



NOTE: INSTALLATION MUST CONFORM TO GOOD SHOP PRACTICES, SAE STANDARDS, RVIA STANDARDS, AND OTHER APPLICABLE STANDARDS.



NOTE: INSTALLATION MUST CONFORM TO GOOD SHOP PRACTICES, SAE STANDARDS, RVIA STANDARDS, AND OTHER APPLICABLE STANDARDS.