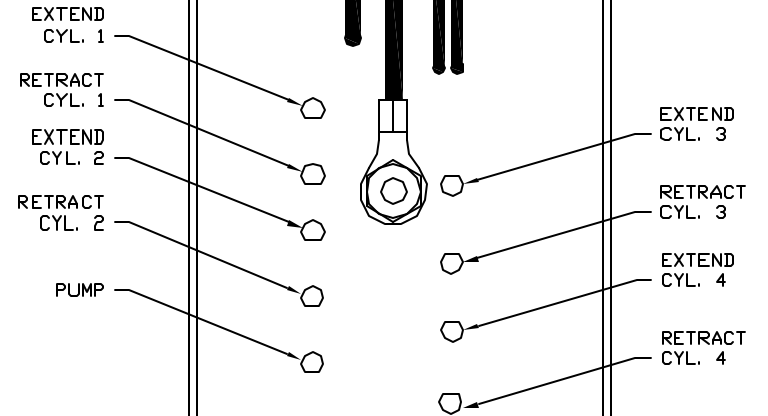
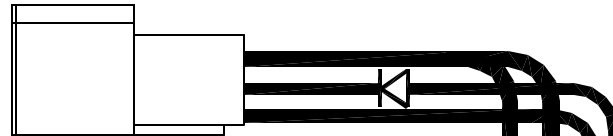
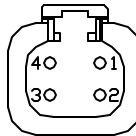
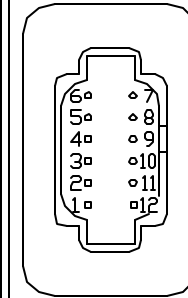


- PIN
1. BLK(W6810) SW. BATTERY FROM PUMP RELAY
  2. BLK(W6800) BATTERY FROM PUMP RELAY
  3. BLK(W8601) PUMP (HAS DIODE)
  4. WHT(W6230) GROUND



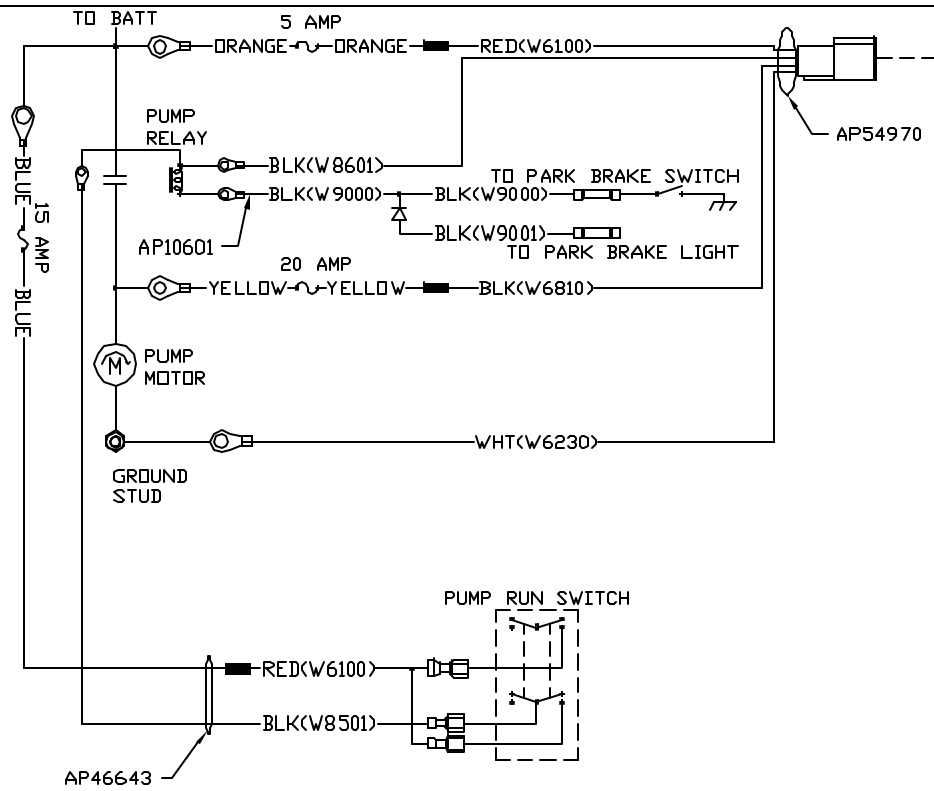
- PIN
1. BLK(W5000) EXTEND ROOM 1
  2. BLK(W5100) RETRACT ROOM 1
  3. BLK(W5001) EXTEND ROOM 2
  4. BLK(W5101) RETRACT ROOM 2
  5. N/C
  6. N/C
  7. RED(W6805) +12V TO ROOM SWITCHES
  8. N/C
  9. BLK(W5002) EXTEND ROOM 3
  10. BLK(W5102) RETRACT ROOM 3
  11. BLK(W5003) EXTEND ROOM 4
  12. BLK(W5103) RETRACT ROOM 4



AP53292

NOTE: INSTALLATION MUST CONFORM TO GOOD SHOP PRACTICES, SAE STANDARDS, RVIA STANDARDS, AND OTHER APPLICABLE STANDARDS.

		<b>HWH</b>		I-80 EXIT 267 SOUTH RT 1 MOSCOW, IOWA 52760	
		SCALE 1:3	DATE 14 OCT 15	DRAWN BY .	
		<b>SYSTEM SCHEMATIC ELEC</b>			
NO.	DATE	REVISION			
THE INFORMATION DISCLOSED ON THIS DRAWING IS CONFIDENTIAL AND MUST NOT BE DISCLOSED OR USED IN ANY MANNER WHICH WILL BE DETRIMENTAL TO THE HWH CORPORATION				DRAWING NUMBER MP91175 A/C	



NOTE: INSTALLATION MUST CONFORM TO GOOD SHOP PRACTICES, SAE STANDARDS, RVIA STANDARDS, AND OTHER APPLICABLE STANDARDS.

