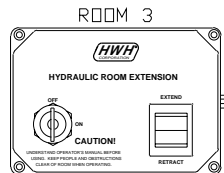
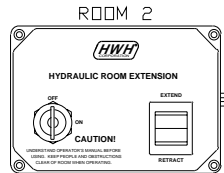
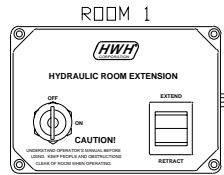


- PIN (TYP)
1. BLK(W8601) PUMP CONTROL
 2. BLK(W5000) EXTEND
 3. BLK(W5100) RETRACT
 4. N/C
 5. N/C
 6. BLACK BATTERY



AP42505
(3 USED)

PIN 1

PIN

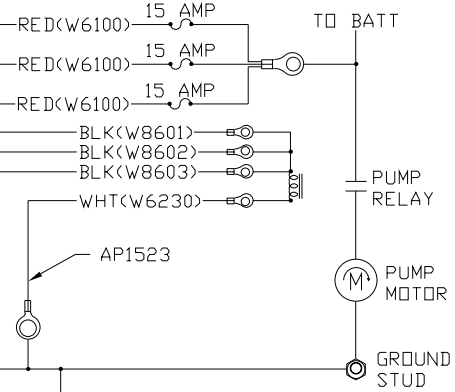
PIN

PIN

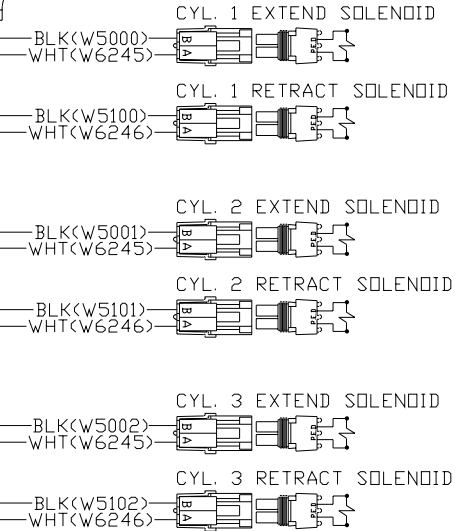
PIN

1. BLK(W8601) PUMP RM. 1
2. BLK(W5000) CYL. 1 EXT.
3. BLK(W5100) CYL. 1 RET.
4. N/C
5. N/C
6. RED(W6100) BATTERY
1. BLK(W8602) PUMP RM. 2
2. BLK(W5001) CYL. 2 EXT.
3. BLK(W5101) CYL. 2 RET.
4. N/C
5. N/C
6. RED(W6100) BATTERY
1. BLK(W8603) PUMP RM. 3
2. BLK(W5002) CYL. 3 EXT.
3. BLK(W5102) CYL. 3 RET.
4. N/C
5. N/C
6. RED(W6100) BATTERY

AP43456



AP1523



NOTE: INSTALLATION MUST CONFORM TO GOOD SHOP PRACTICES, SAE STANDARDS, RVIA STANDARDS, AND OTHER APPLICABLE STANDARDS.

		HWH		I-80 EXIT 267 SOUTH RT 1 MOSCOW, IOWA 52760	
		SCALE 1:3	DATE 16DEC08	DRAWN BY .	
		SYSTEM SCHEMATIC ELEC			
NO.	DATE	REVISION			
THE INFORMATION DISCLOSED ON THIS DRAWING IS CONFIDENTIAL AND MUST NOT BE DISCLOSED OR USED IN ANY MANNER WHICH WILL BE DETRIMENTAL TO THE HWH CORPORATION			DRAWING NUMBER MP902600		