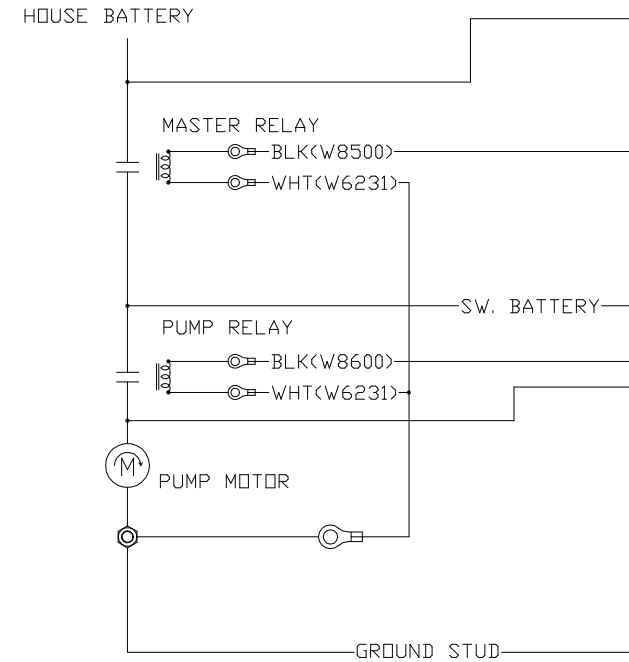
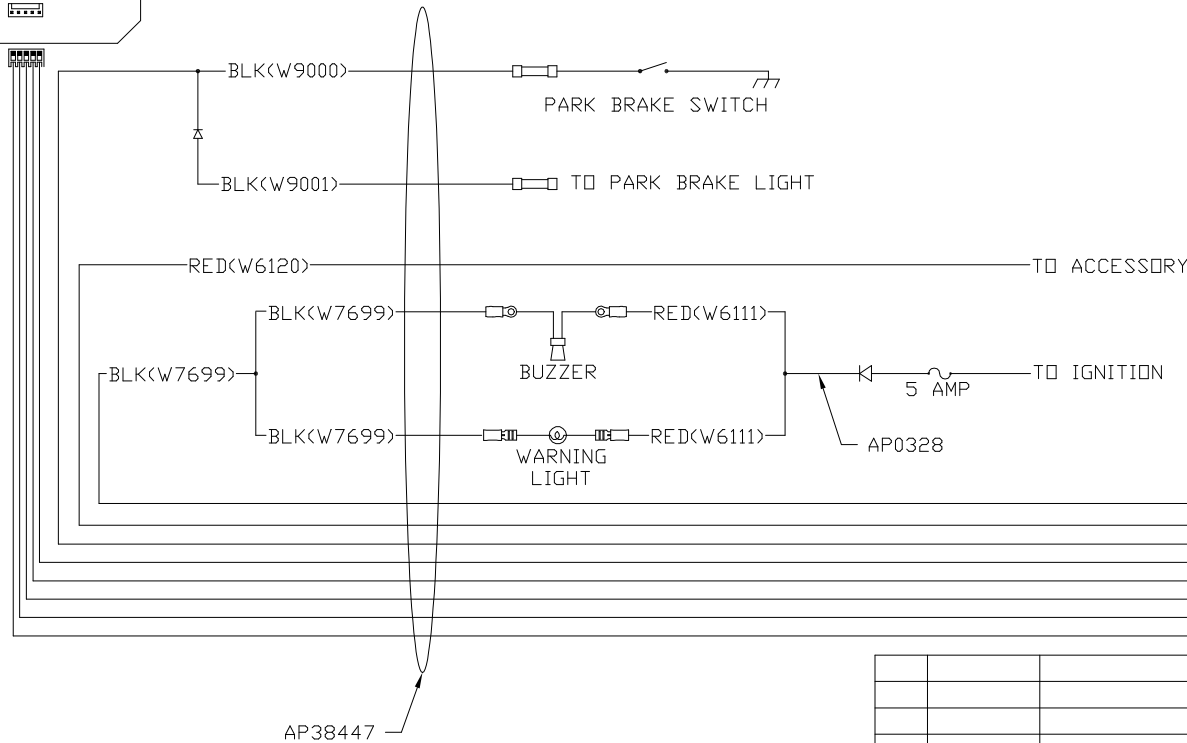
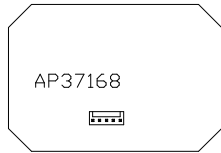


- PIN
1. YELLOW CAN HIGH
 2. GREEN CAN LOW
 3. CAN SHIELD
 4. WHT(W6230) GROUND
 5. RED(W6800) SW. BATTERY



- BLK(W7699)
- RED(W6120)
- BLK(W9000)
- YELLOW
- GREEN
- SHIELD
- WHITE(W6230)
- RED(W6800)

AP38447

| NO. | DATE | REVISION |
|-----|------|----------|
| | | |
| | | |
| | | |

HWH I-80 EXIT 267 SOUTH
RT 1 MOSCOW, IOWA 52760

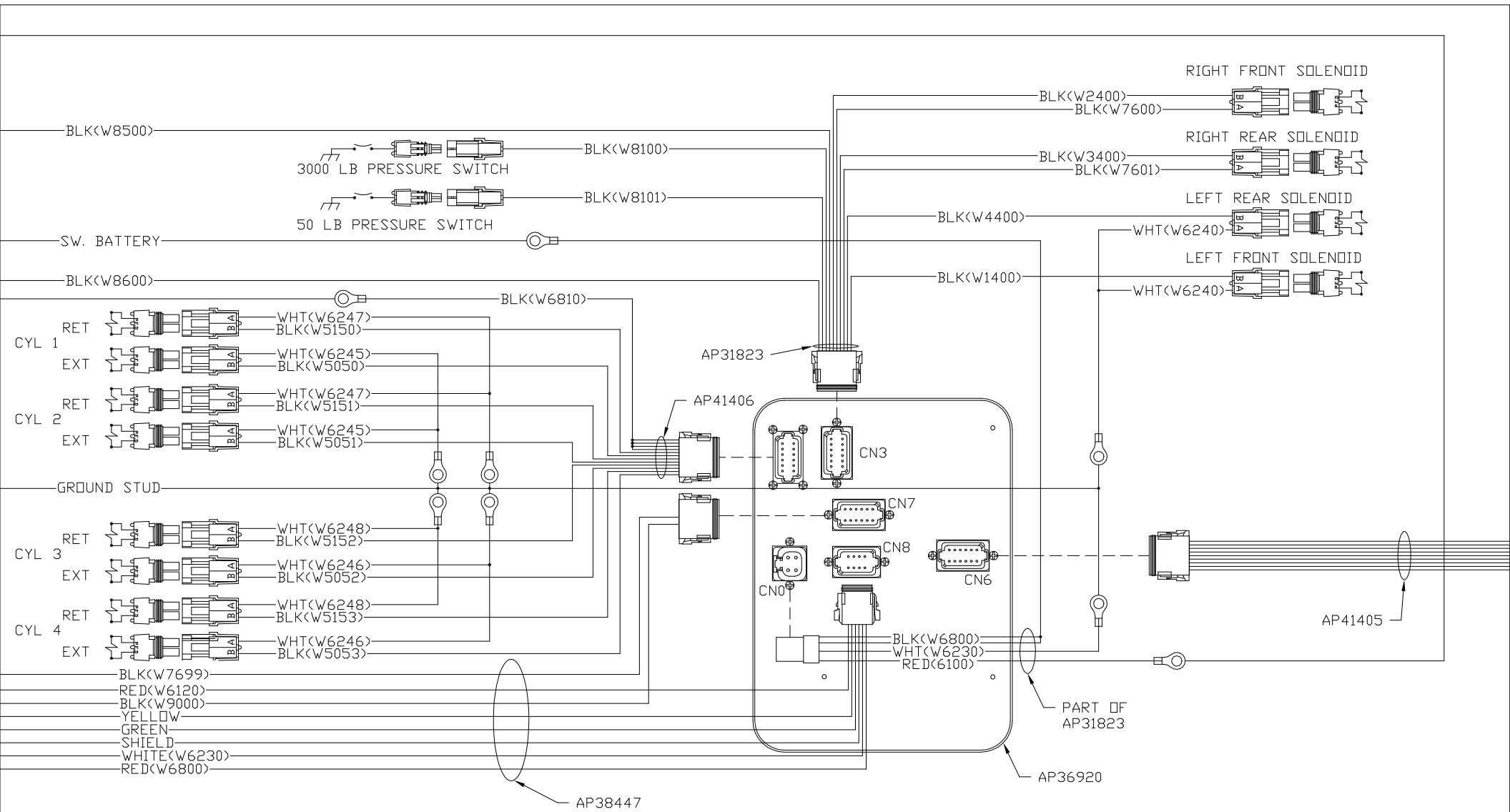
SCALE 1:3 DATE 06SEP07 DRAWN BY .

SYSTEM SCHEMATIC ELEC

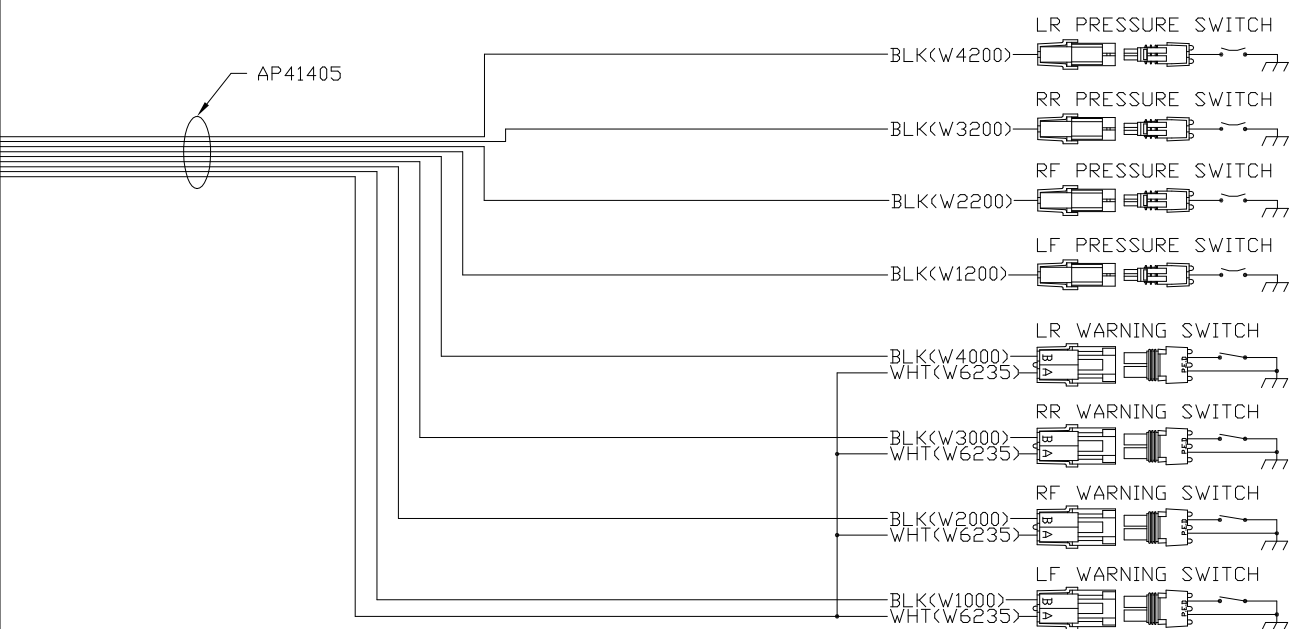
THE INFORMATION DISCLOSED ON THIS DRAWING IS CONFIDENTIAL AND MUST NOT BE DISCLOSED OR USED IN ANY MANNER WHICH WILL BE DETRIMENTAL TO THE HWH CORPORATION

DRAWING NUMBER
MP90007 A/G

NOTE: INSTALLATION MUST CONFORM TO GOOD SHOP PRACTICES, SAE STANDARDS, RVIA STANDARDS, AND OTHER APPLICABLE STANDARDS.



NOTE: INSTALLATION MUST CONFORM TO GOOD SHOP PRACTICES, SAE STANDARDS, RVIA STANDARDS, AND OTHER APPLICABLE STANDARDS.



AP41405

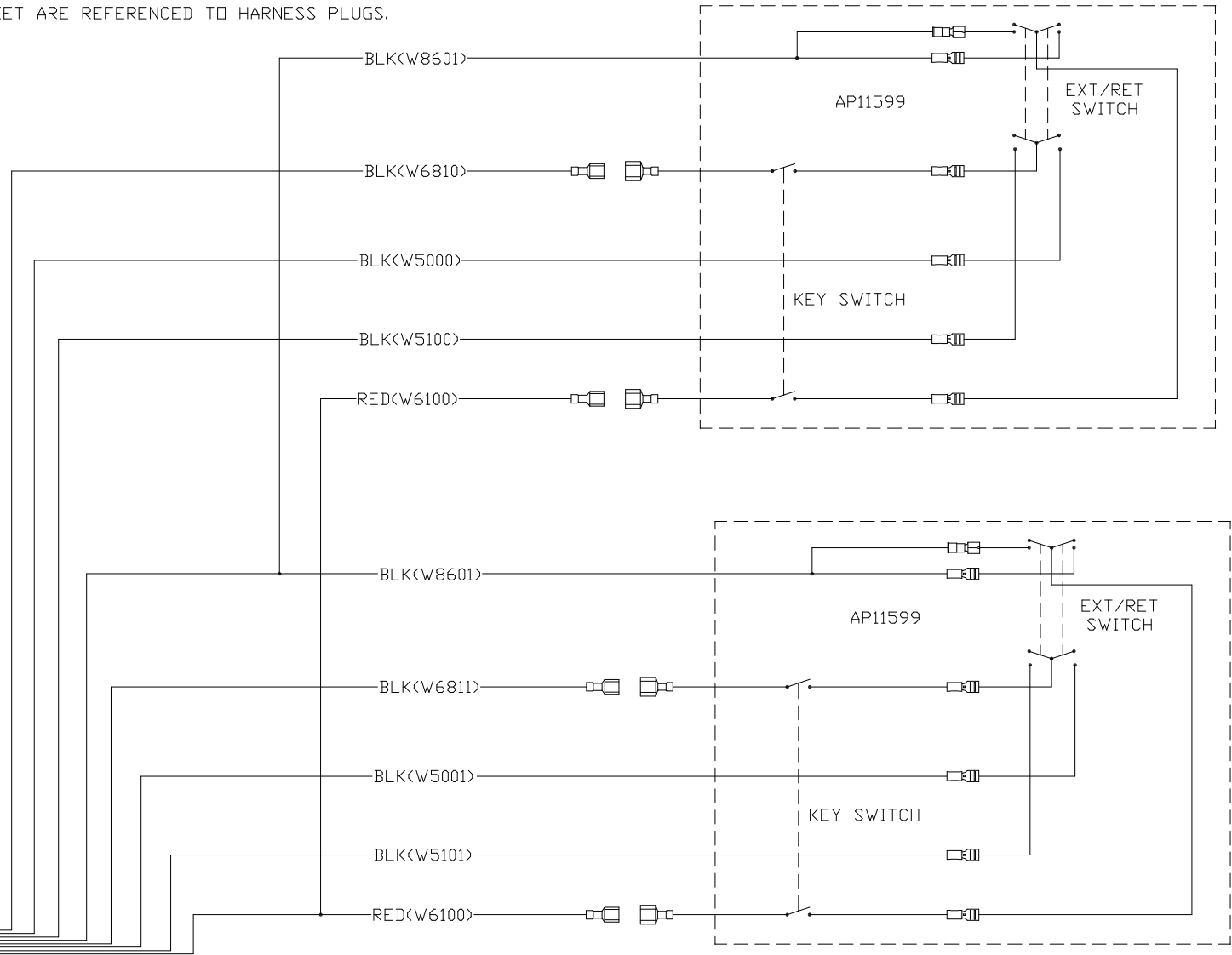
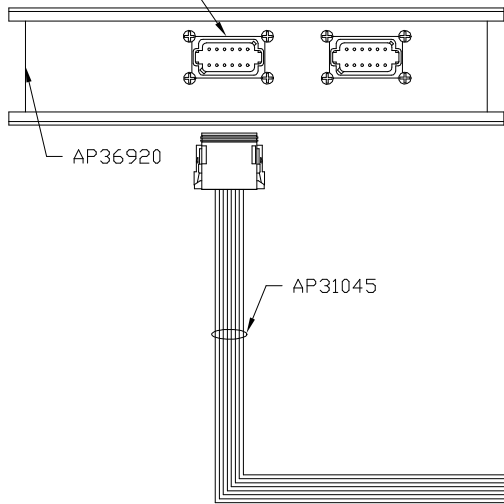
LR PRESSURE SWITCH
 RR PRESSURE SWITCH
 RF PRESSURE SWITCH
 LF PRESSURE SWITCH
 LR WARNING SWITCH
 RR WARNING SWITCH
 RF WARNING SWITCH
 LF WARNING SWITCH

BLK(W4200)
 BLK(W3200)
 BLK(W2200)
 BLK(W1200)
 BLK(W4000)
 WHT(W6235)
 BLK(W3000)
 WHT(W6235)
 BLK(W2000)
 WHT(W6235)
 BLK(W1000)
 WHT(W6235)

NOTE: INSTALLATION MUST CONFORM TO GOOD SHOP PRACTICES, SAE STANDARDS, RVIA STANDARDS, AND OTHER APPLICABLE STANDARDS.

NOTE: WIRE NUMBERS ON THIS SHEET ARE REFERENCED TO HARNESS PLUGS.

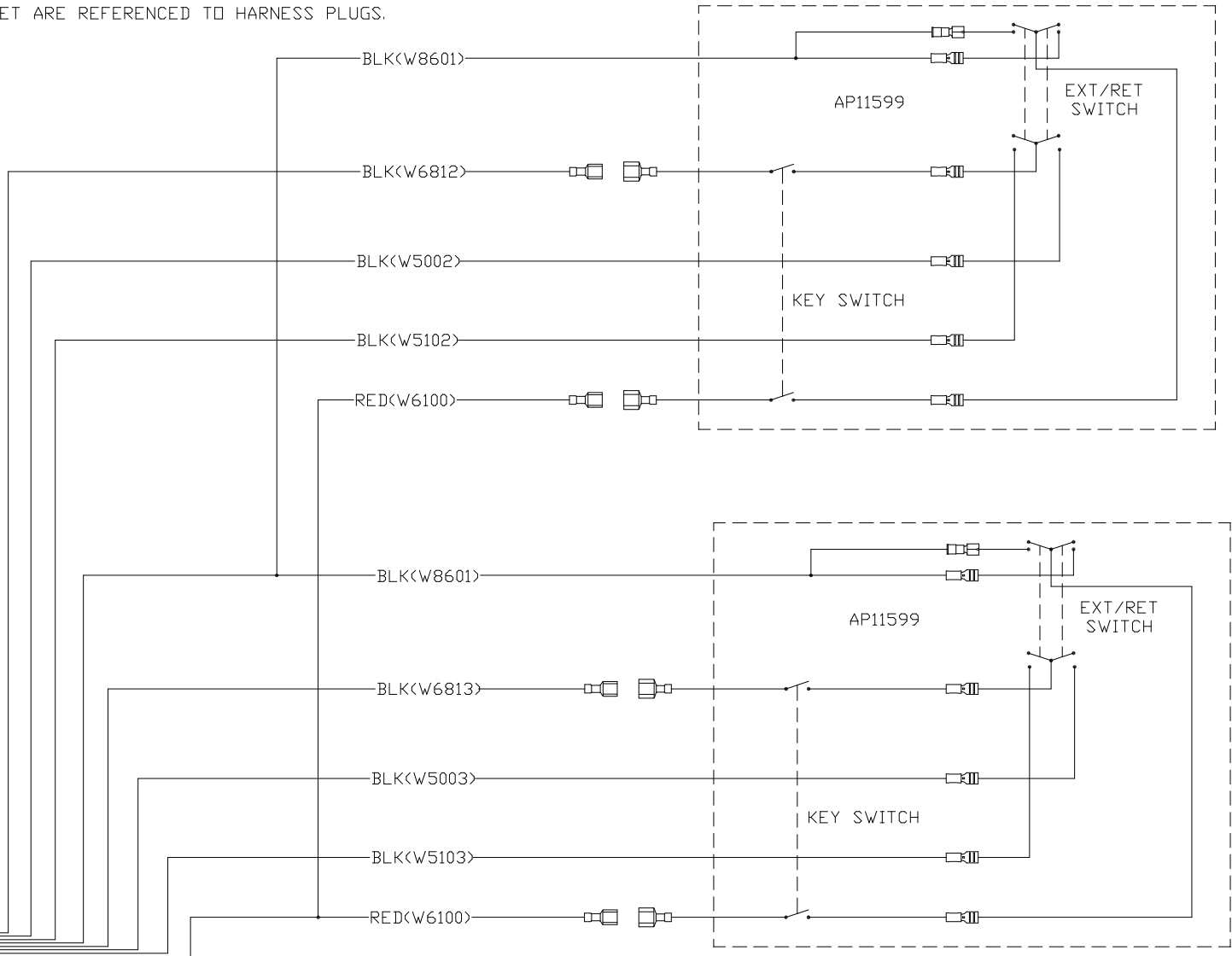
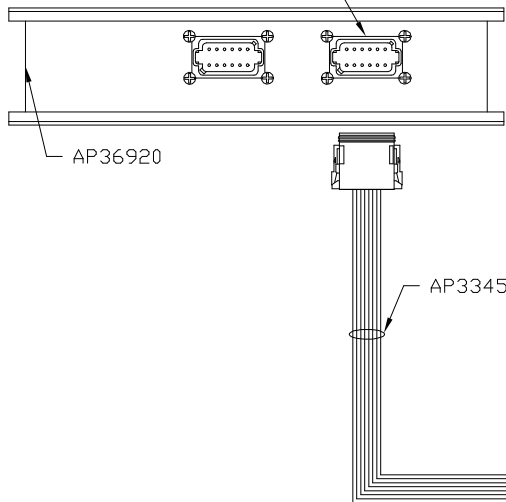
- BLACK 12 PIN
 1. BLK(W6810) SW. BATT ROOM 1
 2. BLK(W5000) EXTEND ROOM 1
 3. BLK(W5100) RETRACT ROOM 1
 4. BLK(W6811) SW. BATT ROOM 2
 5. BLK(W5001) EXTEND ROOM 2
 6. BLK(W5101) RETRACT ROOM 2
 7. N/C
 8. N/C (KEY PIN)
 9. N/C
 10. BLK(W8601) PUMP
 11. RED(W6100) BATTERY
 12. N/C (KEY PIN)



NOTE: INSTALLATION MUST CONFORM TO GOOD SHOP PRACTICES, SAE STANDARDS, RVIA STANDARDS, AND OTHER APPLICABLE STANDARDS.

NOTE: WIRE NUMBERS ON THIS SHEET ARE REFERENCED TO HARNESS PLUGS.

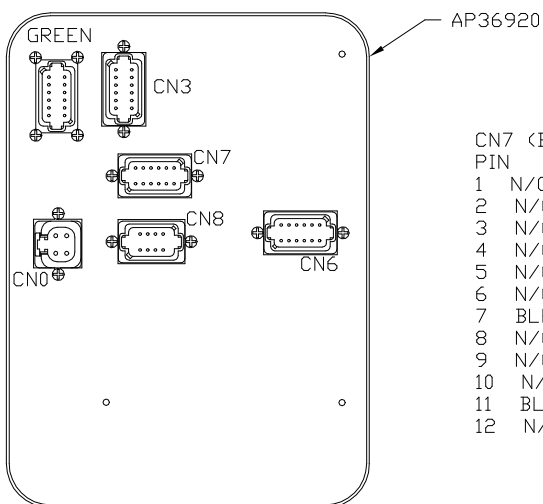
- BLACK 12 PIN
 1. BLK(W6812) SW. BATT ROOM 3
 2. BLK(W5002) EXTEND ROOM 3
 3. BLK(W5102) RETRACT ROOM 3
 4. BLK(W6813) SW. BATT ROOM 4
 5. BLK(W5003) EXTEND ROOM 4
 6. BLK(W5103) RETRACT ROOM 4
 7. N/C
 8. N/C (KEY PIN)
 9. N/C (KEY PIN)
 10. BLK(W8601) PUMP
 11. RED(W6100) BATTERY
 12. N/C



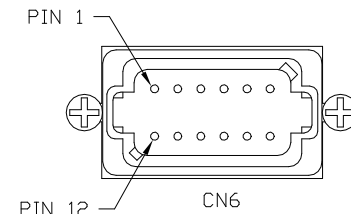
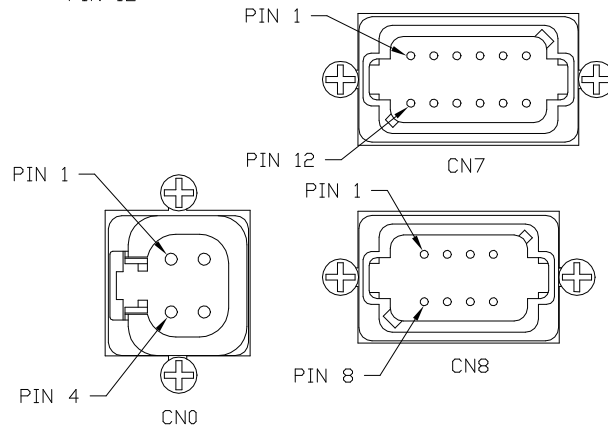
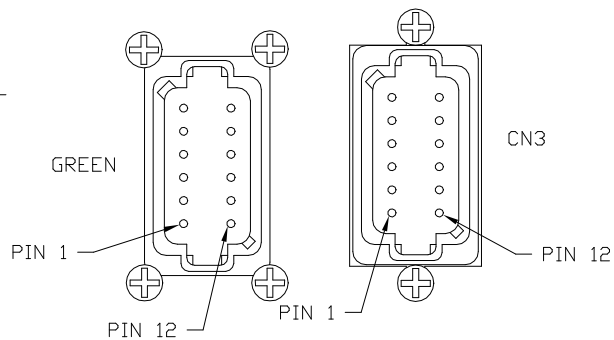
NOTE: INSTALLATION MUST CONFORM TO GOOD SHOP PRACTICES, SAE STANDARDS, RVIA STANDARDS, AND OTHER APPLICABLE STANDARDS.

- GREEN
PIN
1. BLK(W5150) CYL RET. ROOM 1
 2. BLK(W5050) CYL EXT. ROOM 1
 3. BLK(W5151) CYL RET. ROOM 2
 4. BLK(W5051) CYL EXT. ROOM 2
 5. BLK(W5152) CYL RET. ROOM 3
 6. BLK(W5052) CYL EXT. ROOM 3
 7. BLK(W5153) CYL RET. ROOM 4
 8. BLK(W5053) CYL EXT. ROOM 4
 9. BLK(W6810) SW. BATTERY
 10. BLK(W6810) SW. BATTERY
 11. BLK(W6810) SW. BATTERY
 12. BLK(W6810) SW. BATTERY

- CN3 (BROWN)
PIN
- 1 BLK(W8500) MASTER RELAY CONTROL
 - 2 BLK(W8100) 3000 LB PRESS SW
 - 3 BLK(W8101) 50 LB PRESS SW
 - 4 N/C
 - 5 BLK(W1400) LF SOLENOID
 - 6 BLK(W7600) CRX 1
 - 7 BLK(W7601) CRX 2
 - 8 BLK(W4400) LR SOLENOID
 - 9 BLK(W3400) RR SOLENOID
 - 10 BLK(W2400) RF SOLENOID
 - 11 N/C
 - 12 BLK(W8600) PUMP RELAY CONTROL



- CN7 (BLACK)
PIN
- 1 N/C
 - 2 N/C
 - 3 N/C
 - 4 N/C
 - 5 N/C
 - 6 N/C
 - 7 BLK(W9000) PARK BRAKE
 - 8 N/C
 - 9 N/C
 - 10 N/C
 - 11 BLK(W7699) WARN/BUZZER CONTROL
 - 12 N/C



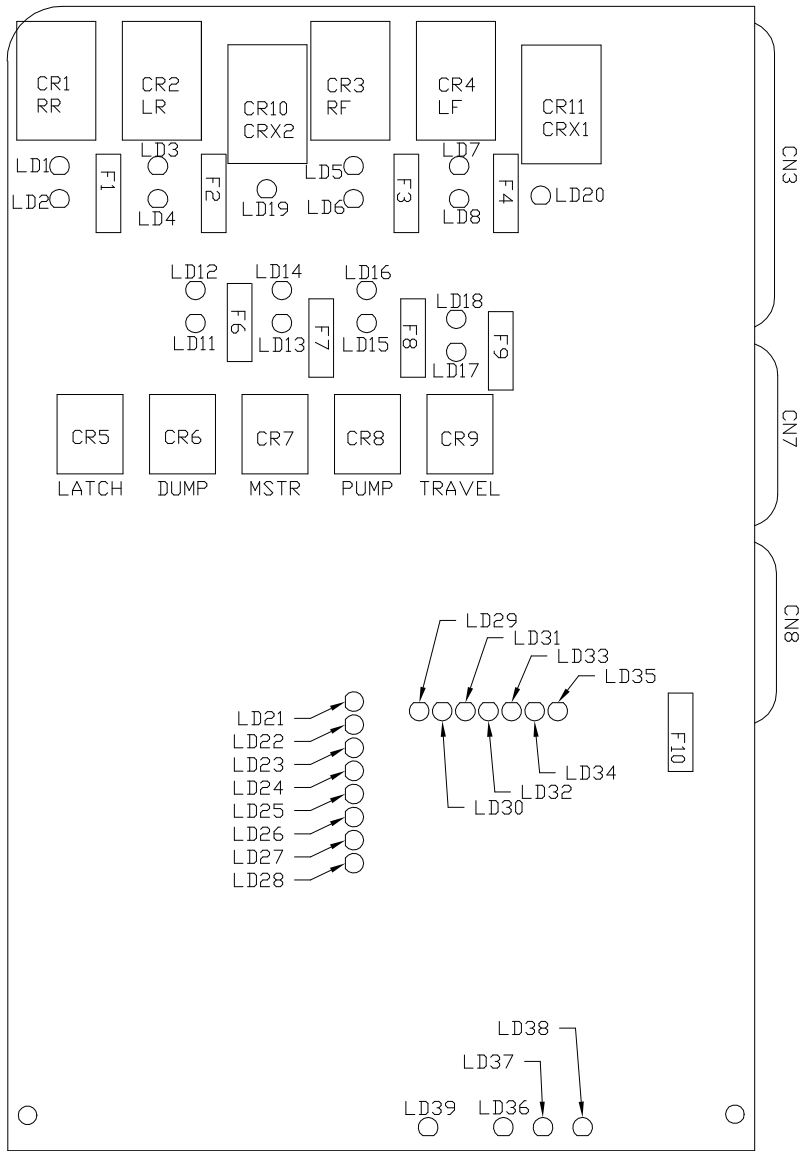
NOTE: WIRE NUMBERS ON THIS SHEET ARE REFERENCED TO HARNESS PLUGS.

- CN0 (GRAY)
PIN
- 1 BLK(W6800) SW BATT
 - 2 BLK(W6800) SW BATT
 - 3 WHT(W6230) GROUND
 - 4 RED(W6100) BATT

- CN8 (BLACK)
PIN
- 1 N/C
 - 2 N/C
 - 3 RED(W6800) SW BATT
 - 4 WHT(W6230) GROUND
 - 5 CAN SHIELD
 - 6 RED(W6120) ACCESSORY
 - 7 GREEN
 - 8 YELLOW

- CN6 (GRAY)
PIN
- 1 N/C
 - 2 N/C
 - 3 BLK(W1000) LF WARN SW
 - 4 BLK(W2000) RF WARN SW
 - 5 BLK(W1200) LF PRESS SW
 - 6 BLK(W2200) RF PRESS SW
 - 7 BLK(W3200) RR PRESS SW
 - 8 BLK(W4200) LR PRESS SW
 - 9 BLK(W3000) RR WARN SW
 - 10 BLK(W4000) LR WARN SW
 - 11 N/C
 - 12 WHT(W6235) GROUND

NOTE: INSTALLATION MUST CONFORM TO GOOD SHOP PRACTICES, SAE STANDARDS, RVIA STANDARDS, AND OTHER APPLICABLE STANDARDS.



| LED # | COLOR | DESCRIPTION |
|--------|--------|------------------------|
| LED 1 | YELLOW | RR COIL |
| LED 2 | RED | RR CONTACT |
| LED 3 | YELLOW | LR COIL |
| LED 4 | RED | LR CONTACT |
| LED 5 | YELLOW | RF COIL |
| LED 6 | RED | RF CONTACT |
| LED 7 | YELLOW | LF COIL |
| LED 8 | RED | LF CONTACT |
| LED 11 | YELLOW | DUMP COIL |
| LED 12 | RED | DUMP CONTACT |
| LED 13 | YELLOW | MASTER RELAY COIL |
| LED 14 | RED | MASTER RELAY CONTACT |
| LED 15 | YELLOW | PUMP COIL |
| LED 16 | RED | PUMP CONTACT |
| LED 17 | YELLOW | TRAVEL COIL |
| LED 18 | RED | TRAVEL CONTACT |
| LED 19 | YELLOW | CRX 2 |
| LED 20 | YELLOW | CRX 1 |
| LED 21 | YELLOW | LF WARN SW |
| LED 22 | YELLOW | RF WARN SW |
| LED 23 | YELLOW | RR WARN SW |
| LED 24 | YELLOW | LR WARN SW |
| LED 25 | RED | LF PRESS SW |
| LED 26 | RED | RF PRESS SW |
| LED 27 | RED | RR PRESS SW |
| LED 28 | RED | LR PRESS SW |
| LED 29 | RED | NOT USED |
| LED 30 | YELLOW | NOT USED |
| LED 31 | GREEN | 3000 LB PSW INPUT |
| LED 32 | RED | MASTER WARNING CONTROL |
| LED 33 | GREEN | 50 LB PSW INPUT |
| LED 34 | RED | JACK INTERRUPT |
| LED 35 | RED | PARK BRAKE |
| LED 36 | RED | BOARD ENABLED |
| LED 37 | RED | ACCESSORY IN |
| LED 38 | RED | ACCESSORY OUT |
| LED 39 | RED | LINK LIGHT |

| FUSE | RATING | DESCRIPTION |
|------|--------|---------------|
| F1 | 15 AMP | RR OUTPUT |
| F2 | 15 AMP | LR OUTPUT |
| F3 | 15 AMP | RF OUTPUT |
| F4 | 15 AMP | LF OUTPUT |
| F6 | 5 AMP | DUMP OUTPUT |
| F7 | 5 AMP | MASTER OUTPUT |
| F8 | 5 AMP | PUMP OUTPUT |
| F9 | 5 AMP | TRAVEL OUTPUT |
| F10 | 10 AMP | ACC INPUT |

NOTE: INSTALLATION MUST CONFORM TO GOOD SHOP PRACTICES, SAE STANDARDS, RVIA STANDARDS, AND OTHER APPLICABLE STANDARDS.