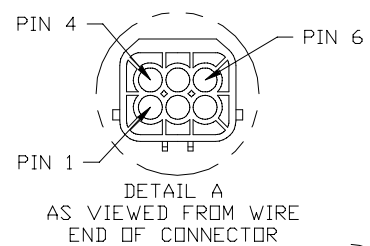
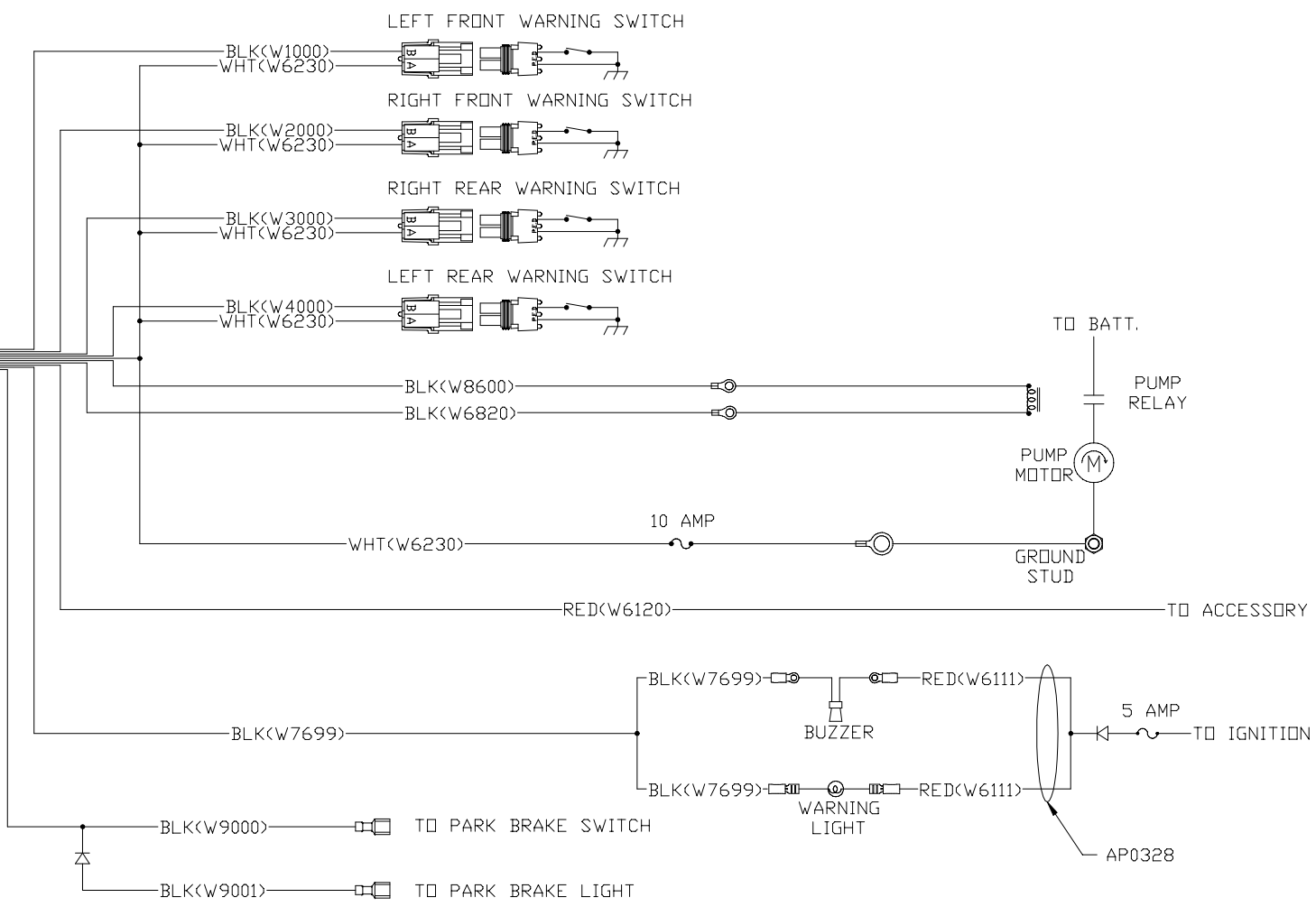


- TO VALVE ---
- DETAIL B
- AP36200
- PIN
1. RED(W6120) ACCESSORY
 2. WHT(W6230) GROUND
 3. BLK(W9000) PARK BRAKE
 4. N/C
 5. BLK(W7699) WARN LIGHT/BUZZER CONTROL
 6. N/C
 7. BLK(W6820) PUMP RELAY SUPPLY
 8. BLK(W8600) PUMP RELAY CONTROL
 9. BLK(W1000) LEFT FRONT WARNING SWITCH
 10. BLK(W2000) RIGHT FRONT WARNING SWITCH
 11. BLK(W3000) RIGHT REAR WARNING SWITCH
 12. BLK(W4000) LEFT REAR WARNING SWITCH



- TO VALVE ---
- DETAIL A
- AP28575
- PIN
1. FRONT SENSE (ORANGE)
 2. GROUND (WHITE)
 3. ACCESSORY (RED)
 4. LEFT SIDE SENSE (YELLOW)
 5. REAR SENSE (BLACK)
 6. RIGHT SIDE SENSE (GREEN)

*** AP28580 INCLUDES:
AP28575 AND AP28576.



NOTE: INSTALLATION MUST CONFORM TO GOOD SHOP PRACTICES, SAE STANDARDS, RVIA STANDARDS, AND OTHER APPLICABLE STANDARDS.

		HWH I-80 EXIT 267 SOUTH RT 1 MOSCOW, IOWA 52760	
		SCALE 1:3	DATE 20JUL05
		DRAWN BY .	
1	15NOV07	ADDED INSTALLATION NOTE	
NO.	DATE	REVISION	
		SYSTEM SCHEMATIC ELEC	
THE INFORMATION DISCLOSED ON THIS DRAWING IS CONFIDENTIAL AND MUST NOT BE DISCLOSED OR USED IN ANY MANNER WHICH WILL BE DETRIMENTAL TO THE HWH CORPORATION			DRAWING NUMBER MP895090