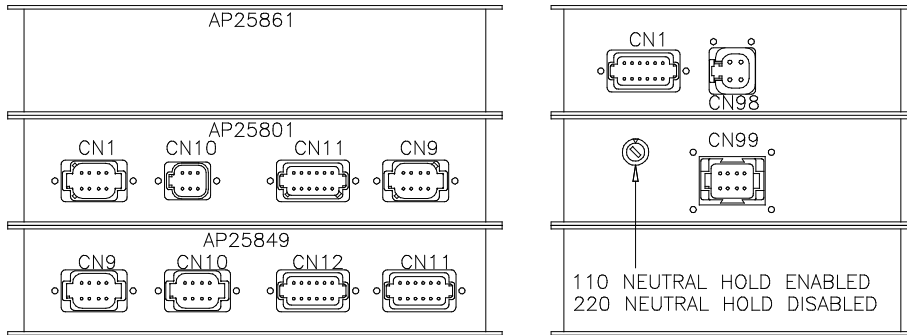


AP24887
CENTRAL CONTROL/ROOM MODULE



AP25179 CN1 (BROWN)

PIN	Color	Function
1	BLK(W5050)	CYLINDER EXTEND1
2	BLK(W5150)	CYLINDER RETRACT1
3	BLK(W5200)	LOCK ROOM 1
4	BLK(W5300)	UNLOCK ROOM 1
5	N/C	
6	N/C	
7	BLK(W5600)	AIR SEAL
8	N/C	
9	N/C	
10	N/C	
11	N/C	
12	N/C	

CN98 (GRAY)

PIN	Color	Function
1	RED (W6801)	SW BATT
2	RED (W6801)	SW BATT
3	GRN (W6230)	GND
4	GRN (W6230)	GND

AP22882 CN1 (BLACK)

PIN	Color	Function
1	WHT(W7696)	SYSTEM WAKE UP
2	N/C	
3	RED(W6800)	SW BATT
4	GRN(W6230)	GND
5	CAN SHIELD	
6	RED(W6110)	IGNITION
7	GRN CAN LOW	
8	YEL CAN HI	

AP22882 CN10 (GRAY)

PIN	Color	Function
1	WHT (W7599)	RST LGT CNTRL
2	WHT (W6100)	RST LGT SUPPLY
3	WHT (W7550)	RST BUTTON CNTRL
4	WHT (W6121)	WARN LIGHT SUPPLY
5	WHT (W6230)	RESET BUTTON GND
6	WHT (W7699)	WARN LIGHT CNTRL

AP22882 CN11 (GRAY)

PIN	Color	Function
1	RED (W6110)	IGNITION
2	N/C	
3	N/C	
4	N/C	
5	RED (W6120)	ACCESSORY
6	RED (W6101)	HOUSE BATTERY
7	GRN (W6230)	GROUND
8	WHT (W9961)	NEUTRAL HOLD
9	WHT (W9955)	NEUTRAL HOLD
10	N/C	
11	WHT (W9000)	PARK BRAKE SWITCH
12	RED (W6100)	ENGINE BATTERY

AP22882 CN9 (GREEN)

PIN	Color	Function
1	BLK (W8500)	MASTER RELAY CNTRL
2	BLK (W8100)	SYSTEM PSW.
3	N/C	
4	BLK (W8600)	PMP RELAY CNTRL
5	BLK (W9900)	SPEED SWITCH
6	BLK (W9901)	SW BATT FROM PUMP RELAY
7	N/C	
8	N/C	

CN99 (GRAY)

PIN	Color	Function
1	RED	
2	GRN	
3	BLK	
4	YLW	
5	WHT	
6	N/C	
7	N/C	
8	N/C	

AP24154 CN9 (BLACK)

PIN	Color	Function
1	WHT(W7696)	SYSTEM WAKE UP
2	N/C	
3	RED(W6800)	SW BATTERY
4	GRN(W6230)	GROUND
5	CAN SHIELD	
6	RED(W6110)	IGNITION
7	GRN CAN LOW	
8	YEL CAN HI	

AP24154 CN10 (GRAY)

PIN	Color	Function
1	N/C	
2	WHT(W7510)	READY TO OPERATE
3	WHT(W7530)	PUMP
4	WHT(W7501)	EXTEND
5	WHT(W7502)	RETRACT
6	RED(W6805)	SW BATTERY
7	WHT(W7631)	CAN STATUS LINE
8	GRN(W6230)	GROUND

AP24154 CN12 (GRAY)

PIN	Color	Function
1	BLK(W5706)	LOWER FRONT UNLOCK
2	BLK(W5701)	FRONT ROOM OUT
3	N/C	
4	BLK(W5710)	LOWER FRONT LOCK
5	N/C	
6	WHT(W6230)	GROUND
7	RED(W6121)	SW BATTERY
8	N/C	
9	BLK(W5708)	UPPER FRONT LOCK
10	BLK(W5703)	UPPER FRONT ROOM IN
11	BLK(W7695)	PRESS. SW. SYNCH CYLINDER
12	BLK(W5704)	UPPER FRONT UNLOCK

AP24154 CN 11 (GREEN)

PIN	Color	Function
1	BLK(W5707)	LOWER REAR UNLOCK
2	N/C	
3	N/C	
4	BLK(W5711)	LOWER REAR LOCK
5	N/C	
6	N/C	
7	RED(W6120)	SW BATTERY
8	N/C	
9	BLK(W5709)	UPPER REAR LOCK
10	BLK(W5702)	UPPER REAR ROOM IN
11	N/C	
12	BLK(W5705)	UPPER REAR UNLOCK

		HWH 1-80 EXIT 267 SOUTH RT 1 MOSCOW, IOWA 52760	
		SCALE 1:3	DATE 03MAR05
		DRAWN BY .	
		SYSTEM SCHEMATIC ELEC	
NO.	DATE	REVISION	
THE INFORMATION DISCLOSED ON THIS DRAWING IS CONFIDENTIAL AND MUST NOT BE DISCLOSED OR USED IN ANY MANNER WHICH WILL BE DETRIMENTAL TO THE HWH CORPORATION		DRAWING NUMBER MP88683 A/0	

AP22525 CN1 (BLACK)

PIN	DESCRIPTION
1	N/C
2	BLK(W4500) LEFT REAR RAISE
3	BLK(W4600) LEFT REAR LOWER
4	BLK(W3500) RIGHT REAR RAISE
5	BLK(W3600) RIGHT REAR LOWER
6	N/C
7	N/C
8	BLK(W3700) TRAVEL
9	N/C
10	N/C
11	WHT(W6258) GROUND
12	N/C

CN98 (GRAY)

PIN	DESCRIPTION
1	RED (W6800) SW BATT
2	RED (W6800) SW BATT
3	GRN (W6230) GND
4	GRN (W6230) GND

AP22698 CN9 (BLACK)

PIN	DESCRIPTION
1	N/C
2	N/C
3	N/C
4	N/C
5	N/C
6	N/C
7	N/C
8	N/C

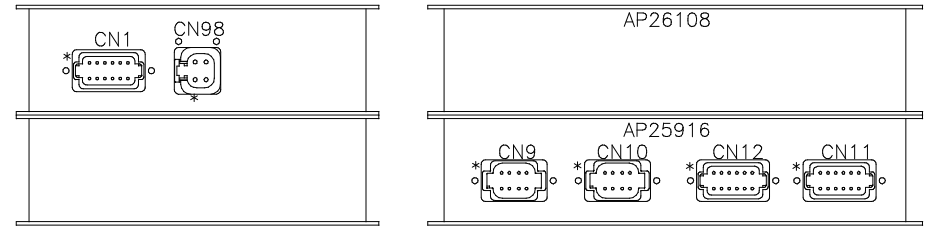
AP22698 CN10 (GRAY)

PIN	DESCRIPTION
1	N/C
2	N/C
3	N/C
4	N/C
5	N/C
6	N/C

AP22698 CN12 (GRAY)

PIN	DESCRIPTION
1	N/C
2	N/C
3	BLK (W3215) SYSTEM PRESS SW.
4	N/C
5	N/C
6	WHT (W6235) GROUND
7	N/C
8	N/C
9	N/C
10	N/C
11	N/C
12	N/C

AP25150 REAR AIR MODULE

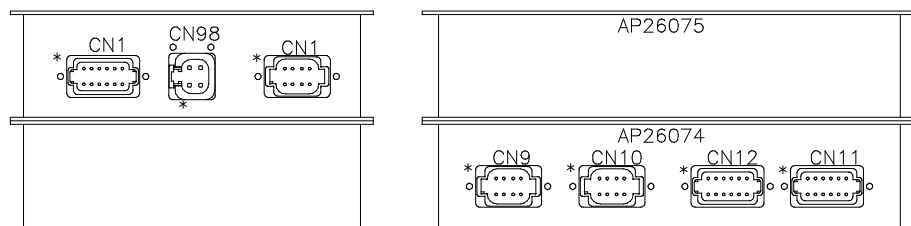


* DESIGNATES PIN 1 OF CONNECTORS

AP22698 CN11 (GREEN)

PIN	DESCRIPTION
1	N/C
2	N/C
3	N/C
4	N/C
5	N/C
6	N/C
7	N/C
8	N/C
9	N/C
10	N/C
11	N/C
12	N/C

AP24299
FRONT AIR MODULE



* DESIGNATES PIN 1 OF CONNECTORS

AP22521 CN1 (BROWN)

PIN	Color	Description
1	N/C	
2	BLK (W1500)	LEFT FRONT RAISE
3	BLK (W1600)	LEFT FRONT LOWER
4	BLK (W2500)	RIGHT FRONT RAISE
5	BLK (W2600)	RIGHT FRONT LOWER
6	BLK (W9700)	COMPRESSOR
7	N/C	
8	BLK (W1700)	TRAVEL
9	N/C	
10	N/C	
11	WHT (W6254)	GROUND
12	N/C	

CN98 (GRAY)

PIN	Color	Description
1	RED (W6800)	SW BATT
2	RED (W6800)	SW BATT
3	GRN (W6230)	GND
4	GRN (W6230)	GND

AP24300 CN1 (BLACK)

PIN	Color	Description
1	N/C	
2	N/C	
3	RED(W6800)	SW BATTERY
4	GRN(W6230)	GROUND
5	CAN SHIELD	
6	N/C	
7	GRN CAN LOW	
8	YEL CAN HI	

AP22698 CN9 (BLACK)

PIN	Color	Description
1	WHT(W7696)	SYSTEM WAKE UP
2	N/C	
3	RED(W6800)	SW BATTERY
4	GRN(W6230)	GROUND
5	CAN SHIELD	
6	RED(W6110)	IGNITION
7	GRN CAN LOW	
8	YEL CAN HI	

AP22698 CN10 (GRAY)

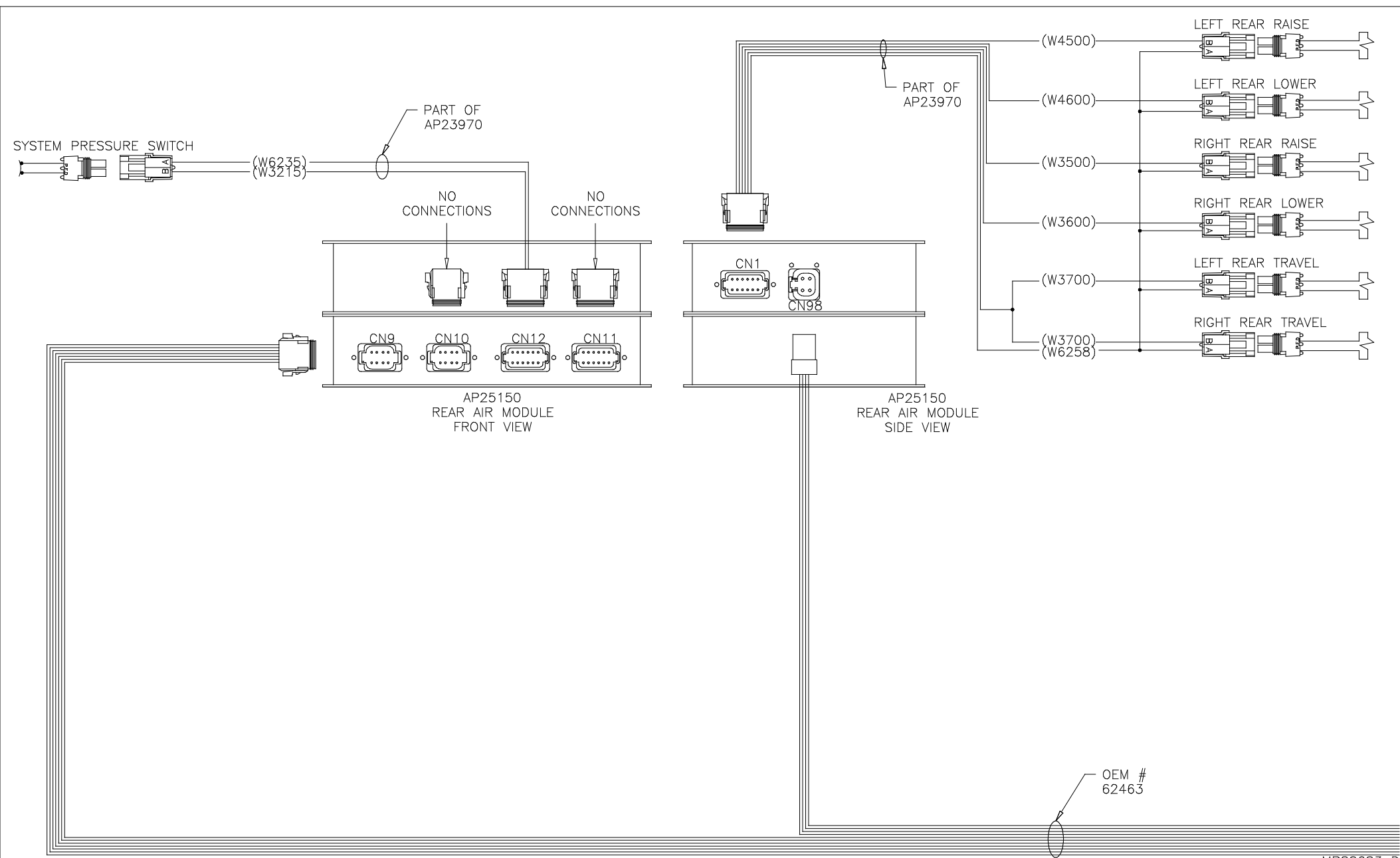
PIN	Color	Description
1	N/C	
2	N/C	
3	N/C	
4	N/C	
5	N/C	
6	N/C	

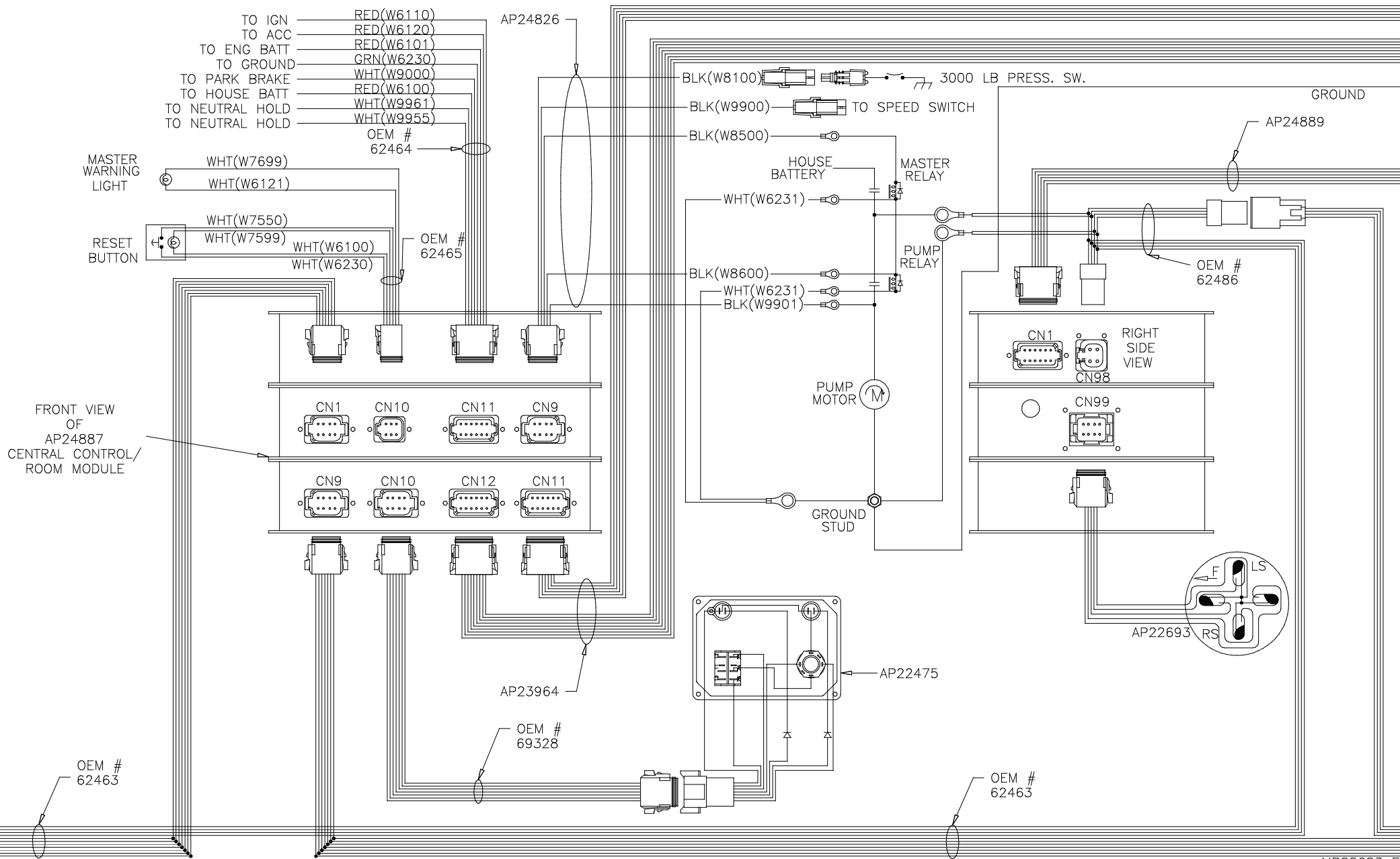
AP22698 CN12 (GRAY)

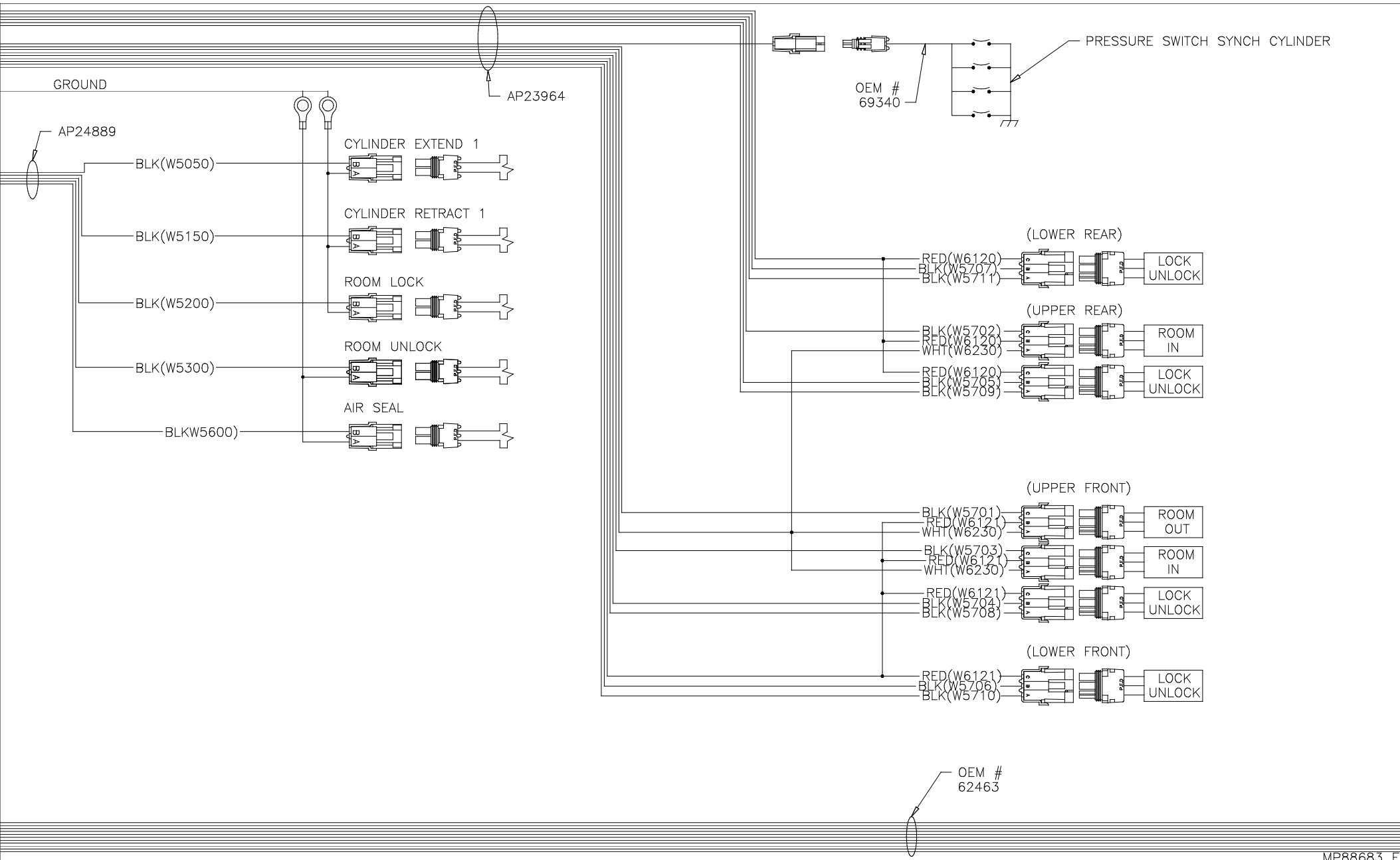
PIN	Color	Description
1	N/C	
2	N/C	
3	N/C	
4	N/C	
5	N/C	
6	WHT(W6236)	GROUND
7	N/C	
8	N/C	
9	N/C	
10	BLK(W2210)	RIGHT FRONT PSW
11	N/C	
12	N/C	

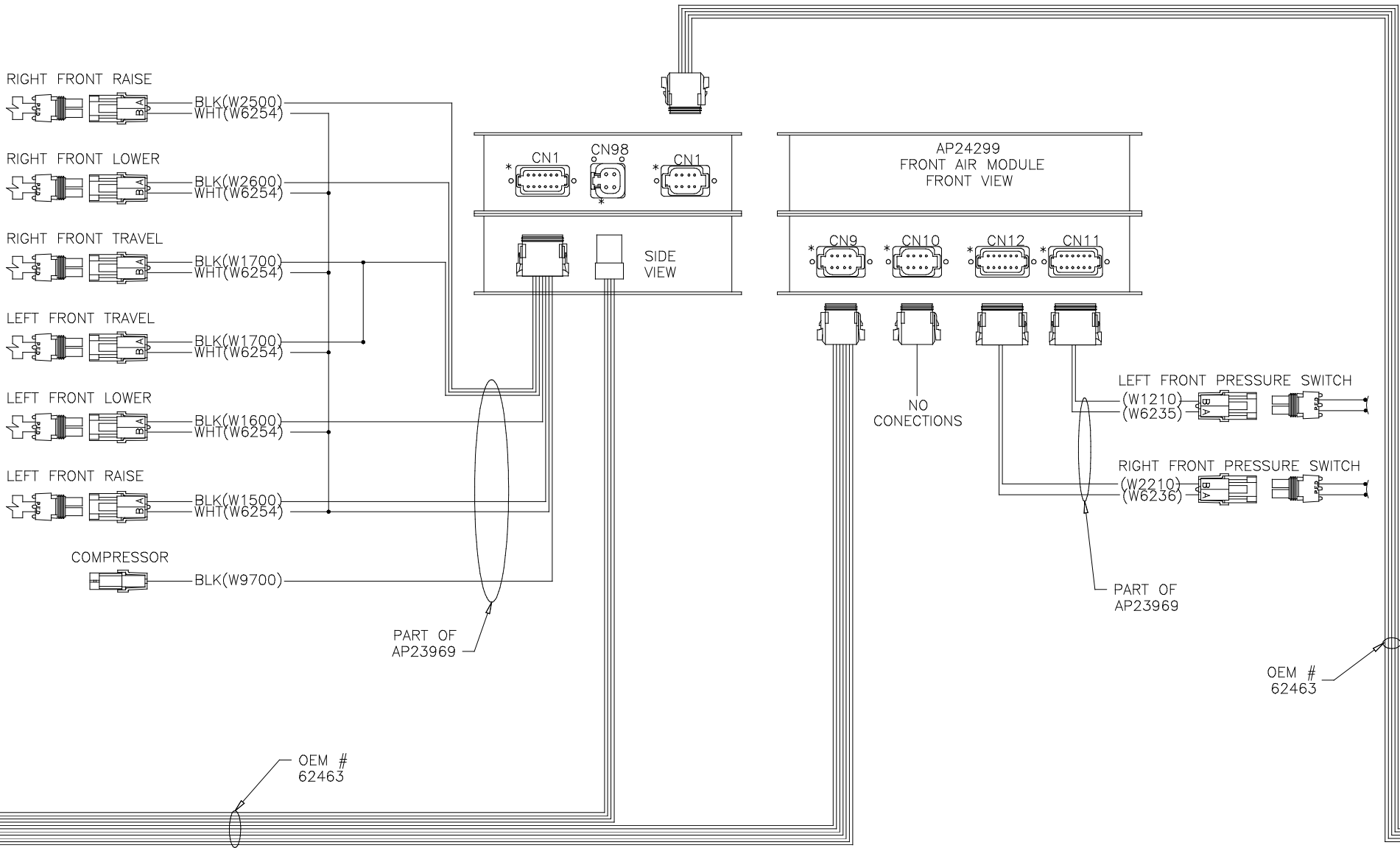
AP22698 CN11 (GREEN)

PIN	Color	Description
1	N/C	
2	N/C	
3	N/C	
4	N/C	
5	N/C	
6	WHT(W6235)	GROUND
7	N/C	
8	N/C	
9	N/C	
10	BLK(W1210)	LEFT FRONT PSW
11	N/C	
12	N/C	

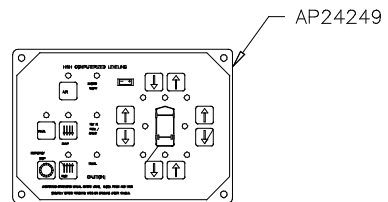








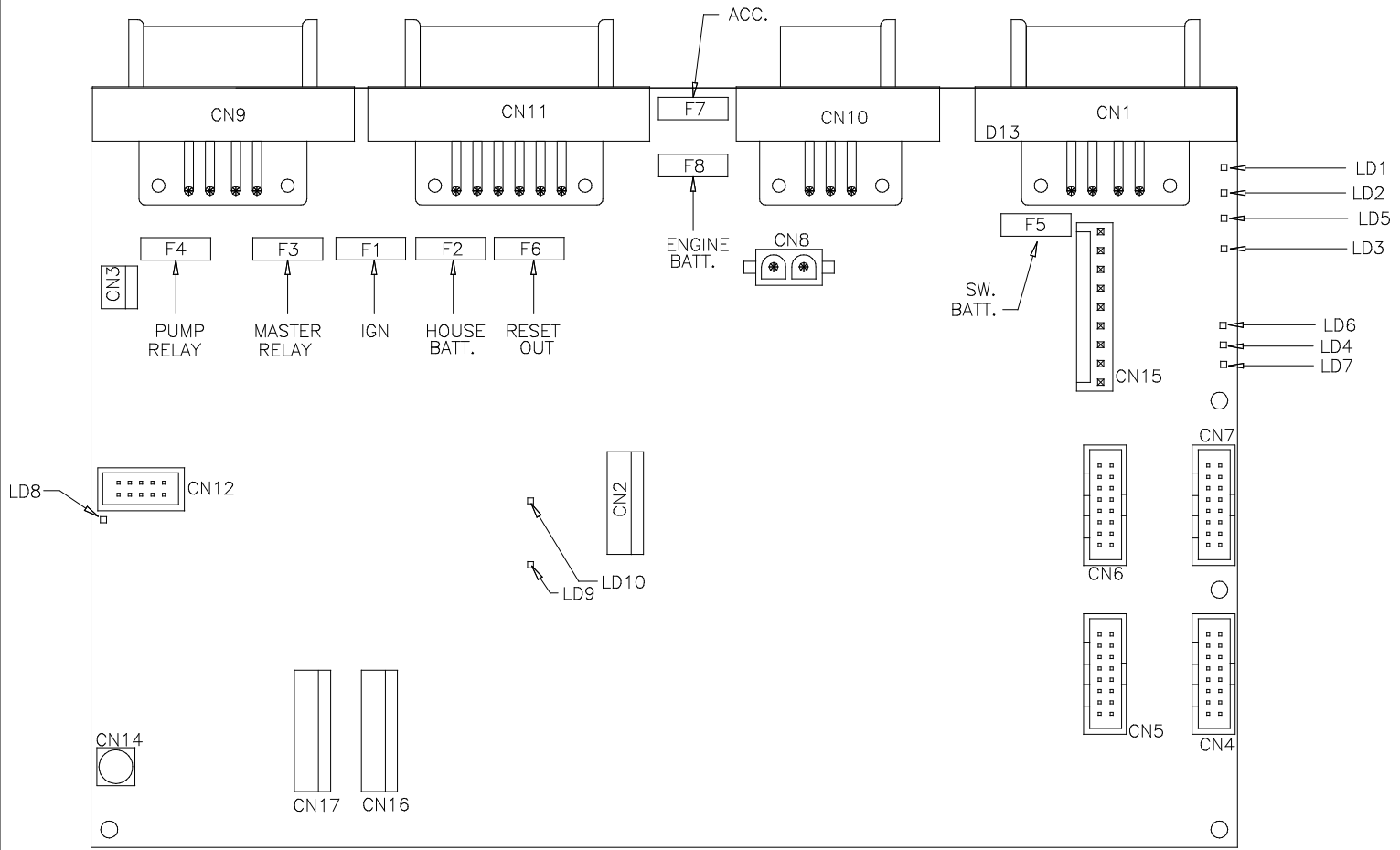
NOTE: 120 OHM TERMINATING RESISTOR ON TOUCH PANEL. MEASURE RESISTANCE VALUE ACROSS PINS 7 AND 8 ON THE BLACK 8 PIN CAN CONNECTOR. RESISTANCE WILL READ THE TWO TERMINATING RESISTORS IN PARALLEL.



5 1

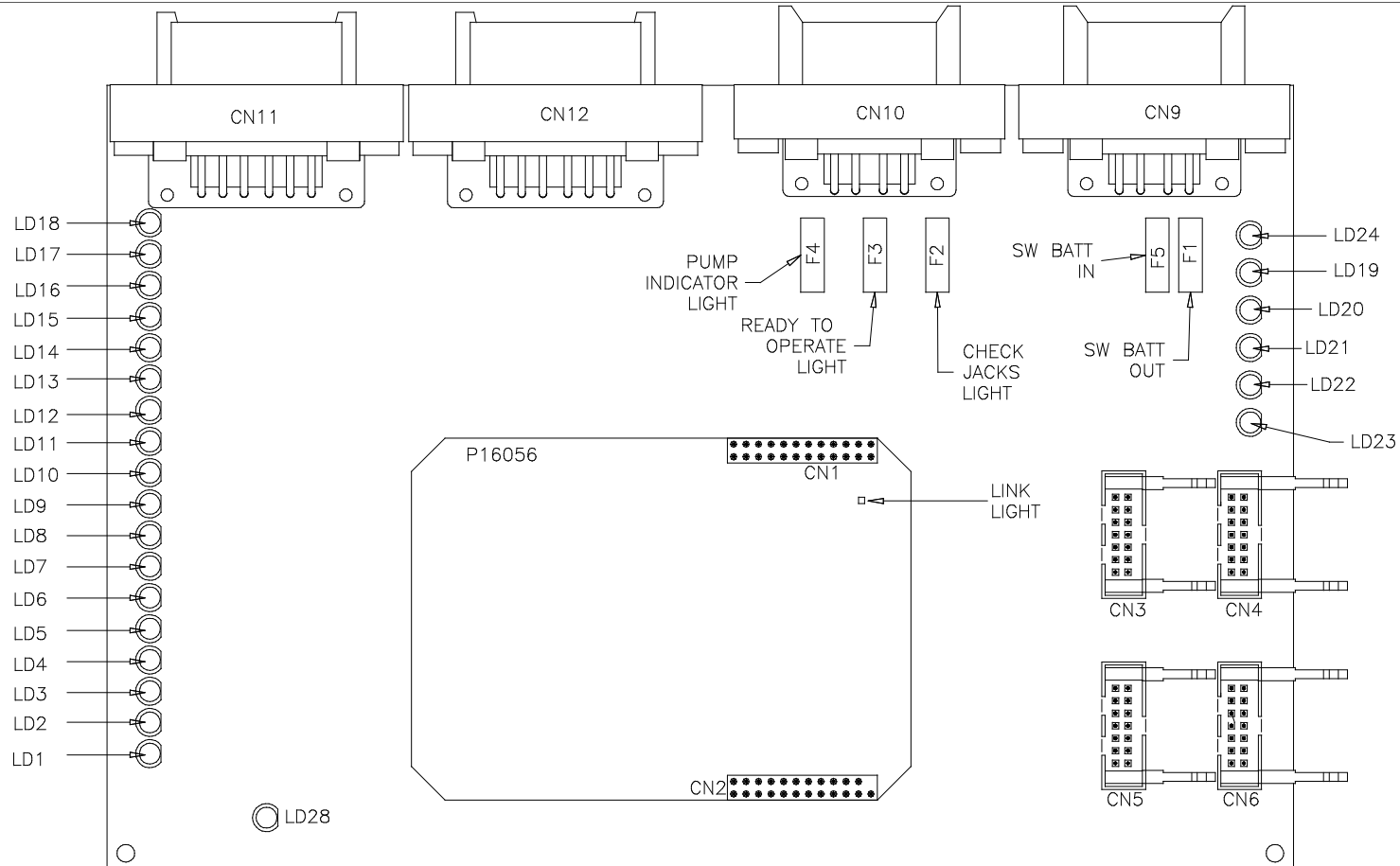
- PIN
- 1 YELLOW CAN HI
 - 2 GREEN CAN LOW
 - 3 CAN SHIELD
 - 4 GRN (W6230) GROUND
 - 5 RED (W6800) SW. BATTERY

OEM #
62463



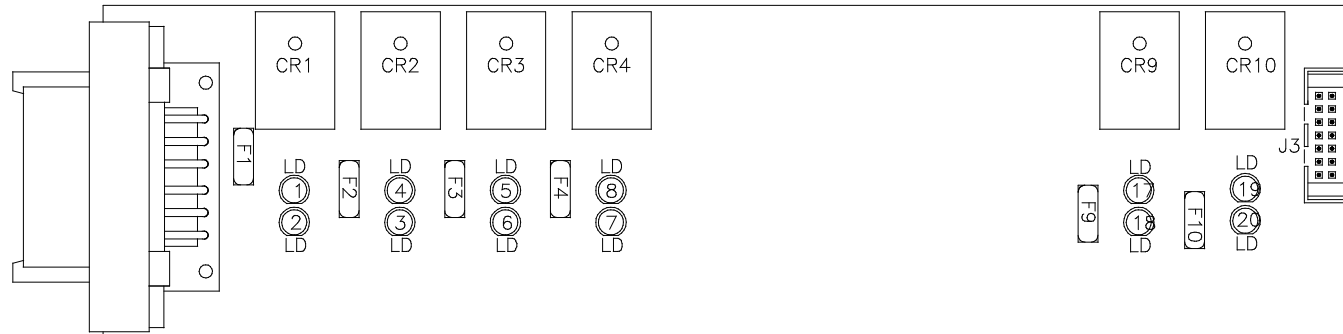
AP22882
CENTRAL
CONTROL MODULE
LED LAYOUT

LED #	CONNECTOR	COLOR	DESCRIPTION
LED 1	CN 9 PIN 1	RED	MASTER RELAY
LED 2	CN 9 PIN 4	RED	PUMP RELAY
LED 3	CN 1 PIN 3	RED	SW 12V
LED 4	CN 11 PIN 12	RED	ENGINE BATT
LED 5	CN 9 PIN 5	RED	SPEED SWITCH
LED 6	NOT USED	NOT USED	NOT USED
LED 7	CN 1 PIN 7 & 8	RED	LINK LIGHT
LED 8	CN 11 PIN 8 & 9	RED	NEUTRAL HOLD
LED 9	NOT USED	NOT USED	NOT USED
LED 10	CN9 PIN 2	RED	3000 LBS. PSW



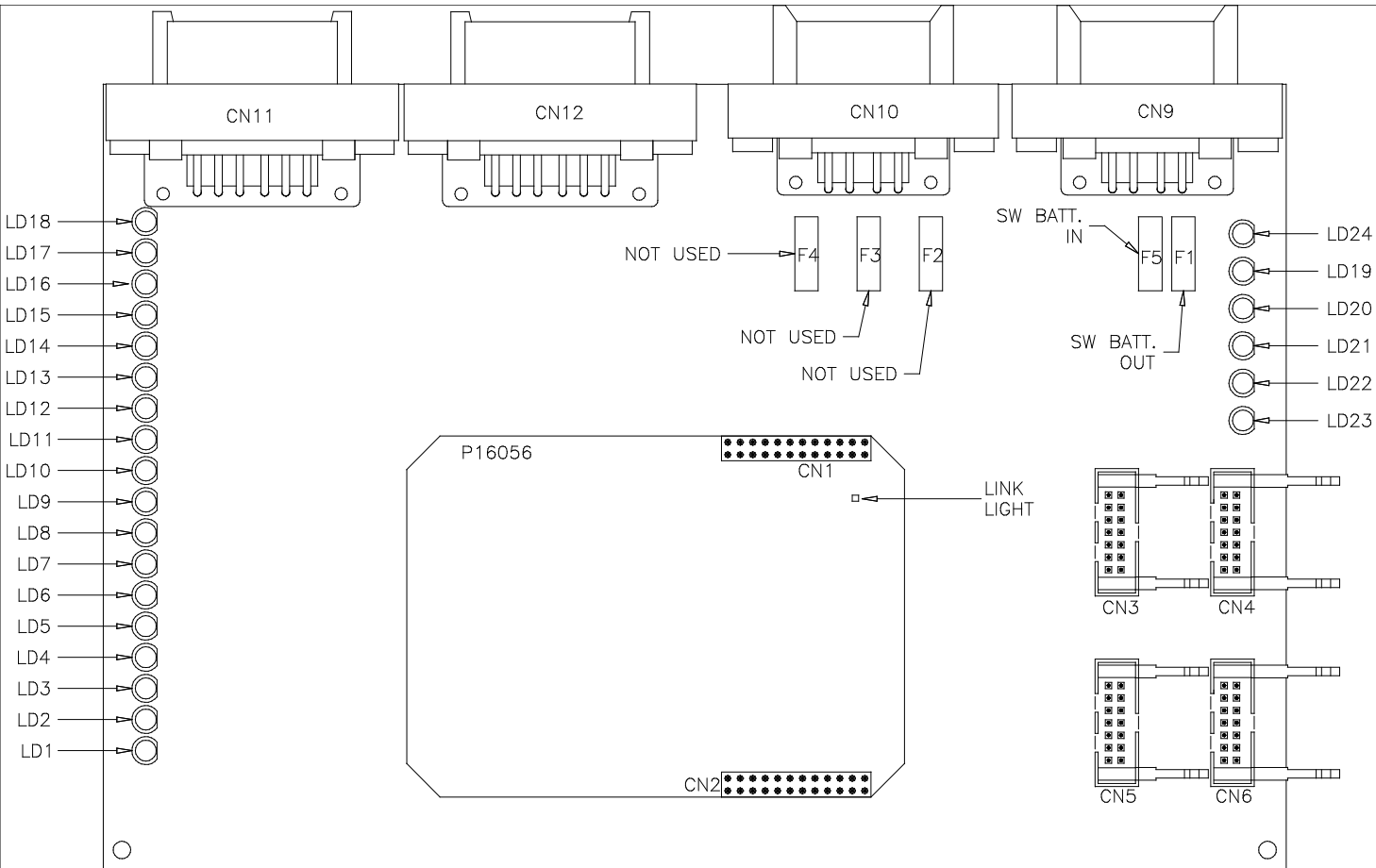
AP24154
ROOM 1
LED LAYOUT

LED #	CONNECTOR	COLOR	DESCRIPTION	LED #	CONNECTOR	COLOR	DESCRIPTION
LED 1	CN 10 PIN 4	RED	EXTEND	LED 15	CN 11 PIN 4	GREEN	LR LOCK
LED 2	CN 10 PIN 5	RED	RETRACT	LED 16	CN 12 PIN 4	GREEN	LF LOCK
LED 3	NOT USED	GREEN	NOT USED	LED 17	CN 11 PIN 9	GREEN	UR LOCK
LED 4	NOT USED	YELLOW	NOT USED	LED 18	CN 12 PIN 9	GREEN	UF LOCK
LED 5	NOT USED	YELLOW	NOT USED	LED 19	CN11/CN12 PIN 7	RED	SW 12V
LED 6	CN 12 PIN 2	YELLOW	FRONT RM OUT	LED 20	CN9 PIN 3	RED	SW BATT
LED 7	NOT USED	GREEN	NOT USED	LED 21	CN10 PIN 3	RED	PUMP INDICATOR
LED 8	NOT USED	GREEN	NOT USED	LED 22	CN10 PIN 2	RED	READY TO OPERATE
LED 9	CN 11 PIN 10	GREEN	UR ROOM IN	LED 23	NOT USED	RED	NOT USED
LED 10	CN 12 PIN 10	GREEN	UF ROOM IN	LED 24	CN 10 PIN 7	RED	SYSTEM WAKE UP
LED 11	CN 11 PIN 1	YELLOW	LR UNLOCK	LED 25	---	---	---
LED 12	CN 12 PIN 1	YELLOW	LF UNLOCK	LED 26	---	---	---
LED 13	CN11 PIN 12	YELLOW	UR UNLOCK	LED 27	---	---	---
LED 14	CN 12 PIN 12	YELLOW	UF UNLOCK	LED 28	CN 12 PIN 11	RED	SYNC CYL PSW



AP25179
ROOM
LED LAYOUT

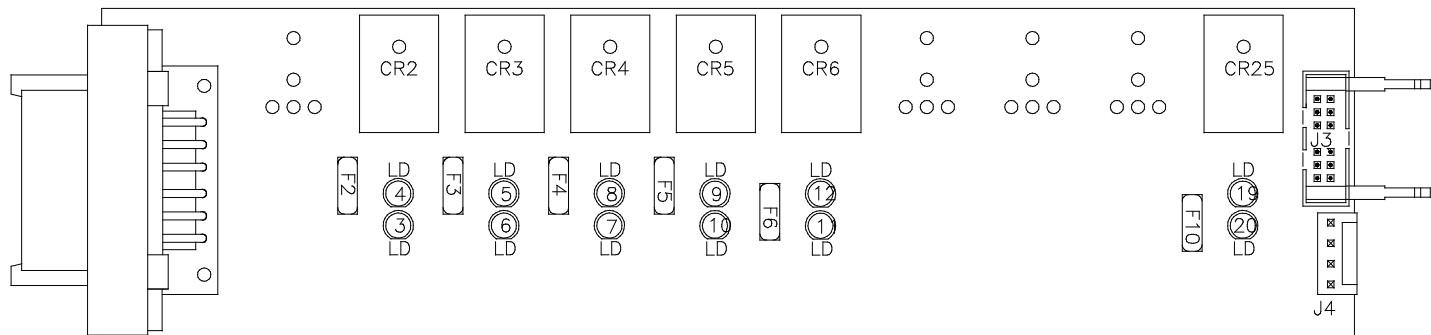
LED #	COLOR	INPUT J3	FUSE #	OUTPUT	RELAY #	DESCRIPTION
LED1	YELLOW	PIN 13	---	---	CR1	CYL EXTEND 1 (COIL)
LED2	RED	---	FUSE 1	PIN 1	CR1	CYL EXTEND 1 (CONTACT)
LED3	RED	---	FUSE 2	PIN 2	CR2	CYL RETRACT1 (CONTACT)
LED4	YELLOW	PIN 12	---	---	CR2	CYL RETRACT RM 1 (COIL)
LED5	YELLOW	PIN 11	---	---	CR3	LOCK RM 1 (COIL)
LED6	RED	---	FUSE 3	PIN 3	CR3	LOCK RM 1 (CONTACT)
LED7	RED	---	FUSE 4	PIN 4	CR4	UNLOCK RM 1 (CONTACT)
LED8	YELLOW	PIN 10	---	---	CR4	UNLOCK RM 1 (COIL)
LED9	---	---	---	---	---	---
LED10	---	---	---	---	---	---
LED11	---	---	---	---	---	---
LED12	---	---	---	---	---	---
LED13	---	---	---	---	---	---
LED14	---	---	---	---	---	---
LED15	---	---	---	---	---	---
LED16	---	---	---	---	---	---
LED17	YELLOW	PIN 5	---	---	CR9	AIR SEAL (COIL)
LED18	RED	---	FUSE 9	PIN 7	CR9	AIR SEAL (CONTACT)
LED19	YELLOW	PIN 4	---	---	CR10	NOT USED
LED20	RED	---	FUSE 10	PIN 8	CR10	NOT USED



AP22698
REAR AIR
MODULE
LED LAYOUT

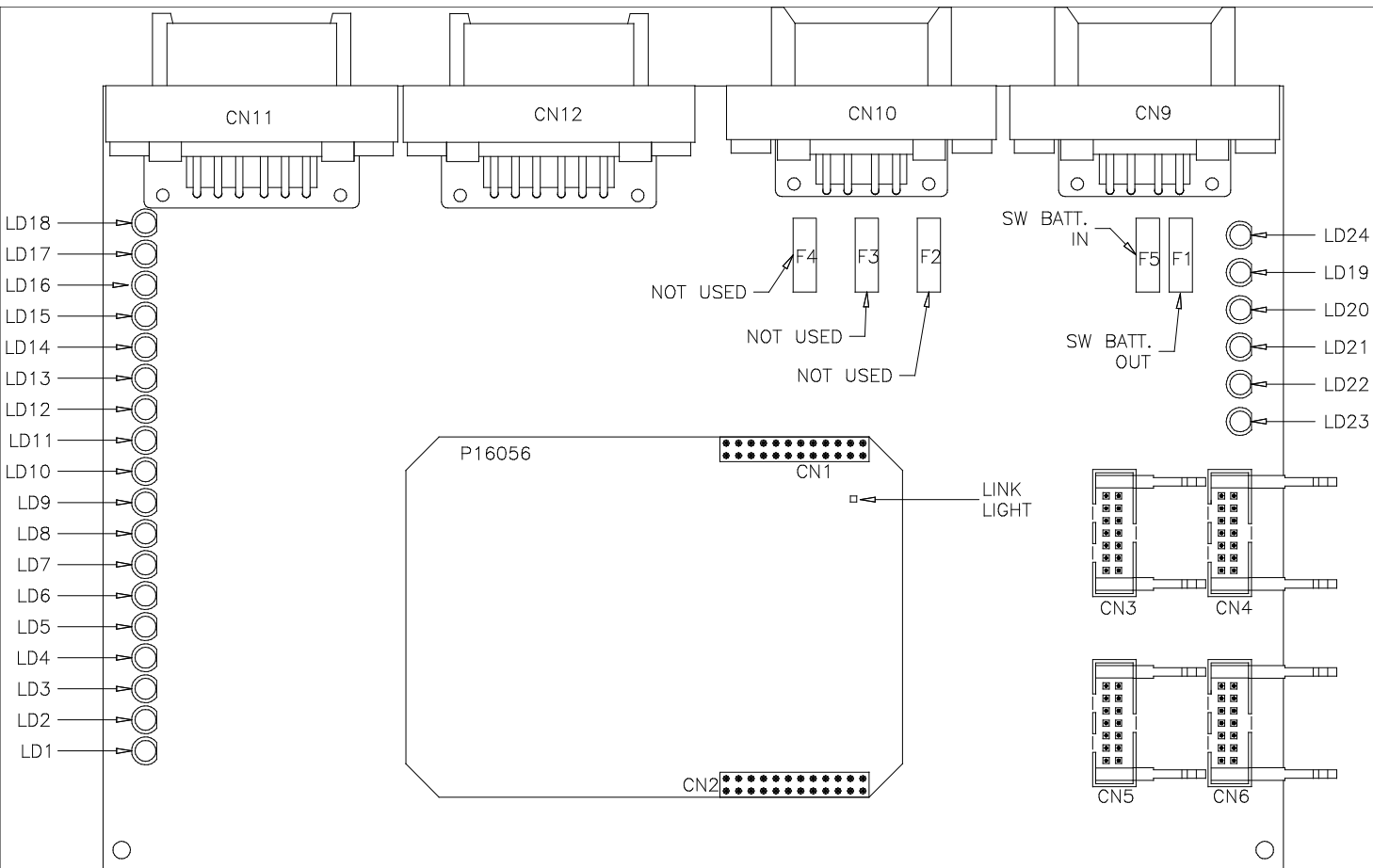
LED #	CONNECTOR	COLOR	DESCRIPTION
LED 1	NOT USED	RED	NOT USED
LED 2	NOT USED	RED	NOT USED
LED 3	NOT USED	GREEN	NOT USED
LED 4	NOT USED	YELLOW	NOT USED
LED 5	NOT USED	YELLOW	NOT USED
LED 6	NOT USED	YELLOW	NOT USED
LED 7	NOT USED	GREEN	NOT USED
LED 8	CN 12 PIN 3	GREEN	SYSTEM PRESS SW
LED 9	NOT USED	GREEN	NOT USED
LED 10	NOT USED	GREEN	NOT USED
LED 11	NOT USED	YELLOW	NOT USED
LED 12	NOT USED	YELLOW	NOT USED
LED 13	NOT USED	YELLOW	NOT USED
LED 14	NOT USED	YELLOW	NOT USED

LED #	CONNECTOR	COLOR	DESCRIPTION
LED 15	NOT USED	GREEN	NOT USED
LED 16	NOT USED	GREEN	NOT USED
LED 17	NOT USED	GREEN	NOT USED
LED 18	NOT USED	GREEN	NOT USED
LED 19	NOT USED	RED	SW BATT OUT
LED 20	NOT USED	RED	SW BATT IN
LED 21	NOT USED	RED	NOT USED
LED 22	NOT USED	RED	NOT USED
LED 23	NOT USED	RED	NOT USED
LED 24	NOT USED	RED	NOT USED
LED 25	---	---	---
LED 26	---	---	---
LED 27	---	---	---
LED 28	---	---	---



AP22525
LED LAYOUT

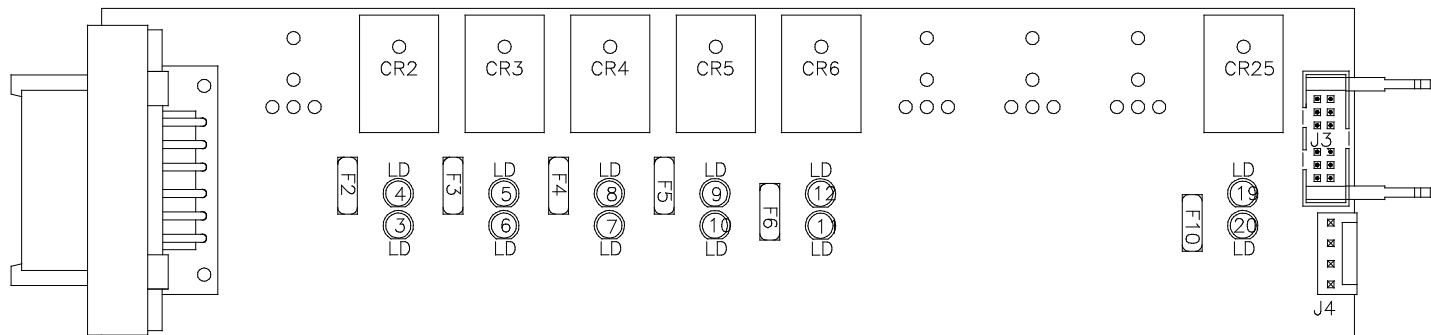
LED #	COLOR	INPUT J3	FUSE #	OUTPUT	RELAY #	DESCRIPTION
LED1	---	---	---	---	---	---
LED2	---	---	---	---	---	---
LED3	RED	---	FUSE 2	PIN 2	CR2	LEFT REAR RAISE (CONTACT)
LED4	YELLOW	PIN 12	---	---	CR2	LEFT REAR RAISE (COIL)
LED5	YELLOW	PIN 11	---	---	CR3	LEFT REAR LOWER (COIL)
LED6	RED	---	FUSE 3	PIN 3	CR3	LEFT REAR LOWER (CONTACT)
LED7	RED	---	FUSE 4	PIN 4	CR4	RIGHT REAR RAISE (CONTACT)
LED8	YELLOW	PIN 10	---	---	CR4	RIGHT REAR RAISE (COIL)
LED9	YELLOW	PIN 9	---	---	CR5	RIGHT REAR LOWER (COIL)
LED10	RED	---	FUSE 5	PIN 5	CR5	RIGHT REAR LOWER (CONTACT)
LED11	RED	---	FUSE 6	PIN 6	CR6	COMPRESSOR (CONTACT)
LED12	YELLOW	PIN 8	---	---	CR6	COMPRESSOR (COIL)
LED13	---	---	---	---	---	---
LED14	---	---	---	---	---	---
LED15	---	---	---	---	---	---
LED16	---	---	---	---	---	---
LED17	---	---	---	---	---	---
LED18	---	---	---	---	---	---
LED19	YELLOW	PIN 4	---	---	CR25	TRAVEL (COIL)
LED20	RED	---	FUSE 10	PIN 8	CR25	TRAVEL (CONTACT)



AP22698
FRONT AIR
MODULE
LED LAYOUT

LED #	CONNECTOR	COLOR	DESCRIPTION
LED 1	NOT USED	RED	NOT USED
LED 2	NOT USED	RED	NOT USED
LED 3	NOT USED	GREEN	NOT USED
LED 4	NOT USED	YELLOW	NOT USED
LED 5	NOT USED	YELLOW	NOT USED
LED 6	NOT USED	YELLOW	NOT USED
LED 7	NOT USED	GREEN	NOT USED
LED 8	NOT USED	GREEN	NOT USED
LED 9	CN 11 PIN 10	GREEN	LEFT FRONT PSW
LED 10	CN 12 PIN 10	GREEN	RIGHT FRONT PSW
LED 11	NOT USED	YELLOW	NOT USED
LED 12	NOT USED	YELLOW	NOT USED
LED 13	NOT USED	YELLOW	NOT USED
LED 14	NOT USED	YELLOW	NOT USED

LED #	CONNECTOR	COLOR	DESCRIPTION
LED 15	NOT USED	GREEN	NOT USED
LED 16	NOT USED	GREEN	NOT USED
LED 17	NOT USED	GREEN	NOT USED
LED 18	NOT USED	GREEN	NOT USED
LED 19	NOT USED	RED	SW BATT OUT
LED 20	NOT USED	RED	SW BATT IN
LED 21	NOT USED	RED	NOT USED
LED 22	NOT USED	RED	NOT USED
LED 23	NOT USED	RED	NOT USED
LED 24	NOT USED	RED	NOT USED
LED 25	---	---	---
LED 26	---	---	---
LED 27	---	---	---
LED 28	---	---	---



AP22521
LED LAYOUT

LED #	COLOR	INPUT J3	FUSE #	OUTPUT	RELAY #	DESCRIPTION
LED1	---	---	---	---	---	---
LED2	---	---	---	---	---	---
LED3	RED	---	FUSE 2	PIN 2	CR2	LEFT FRONT RAISE (CONTACT)
LED4	YELLOW	PIN 12	---	---	CR2	LEFT FRONT RAISE (COIL)
LED5	YELLOW	PIN 11	---	---	CR3	LEFT FRONT LOWER (COIL)
LED6	RED	---	FUSE 3	PIN 3	CR3	LEFT FRONT LOWER (CONTACT)
LED7	RED	---	FUSE 4	PIN 4	CR4	RIGHT FRONT RAISE (CONTACT)
LED8	YELLOW	PIN 10	---	---	CR4	RIGHT FRONT RAISE (COIL)
LED9	YELLOW	PIN 9	---	---	CR5	RIGHT FRONT LOWER (COIL)
LED10	RED	---	FUSE 5	PIN 5	CR5	RIGHT FRONT LOWER (CONTACT)
LED11	RED	---	FUSE 6	PIN 6	CR6	COMPRESSOR (CONTACT)
LED12	YELLOW	PIN 8	---	---	CR6	COMPRESSOR (COIL)
LED13	---	---	---	---	---	---
LED14	---	---	---	---	---	---
LED15	---	---	---	---	---	---
LED16	---	---	---	---	---	---
LED17	---	---	---	---	---	---
LED18	---	---	---	---	---	---
LED19	YELLOW	PIN 4	---	---	CR25	TRAVEL (COIL)
LED20	RED	---	FUSE 10	PIN 8	CR25	TRAVEL (CONTACT)