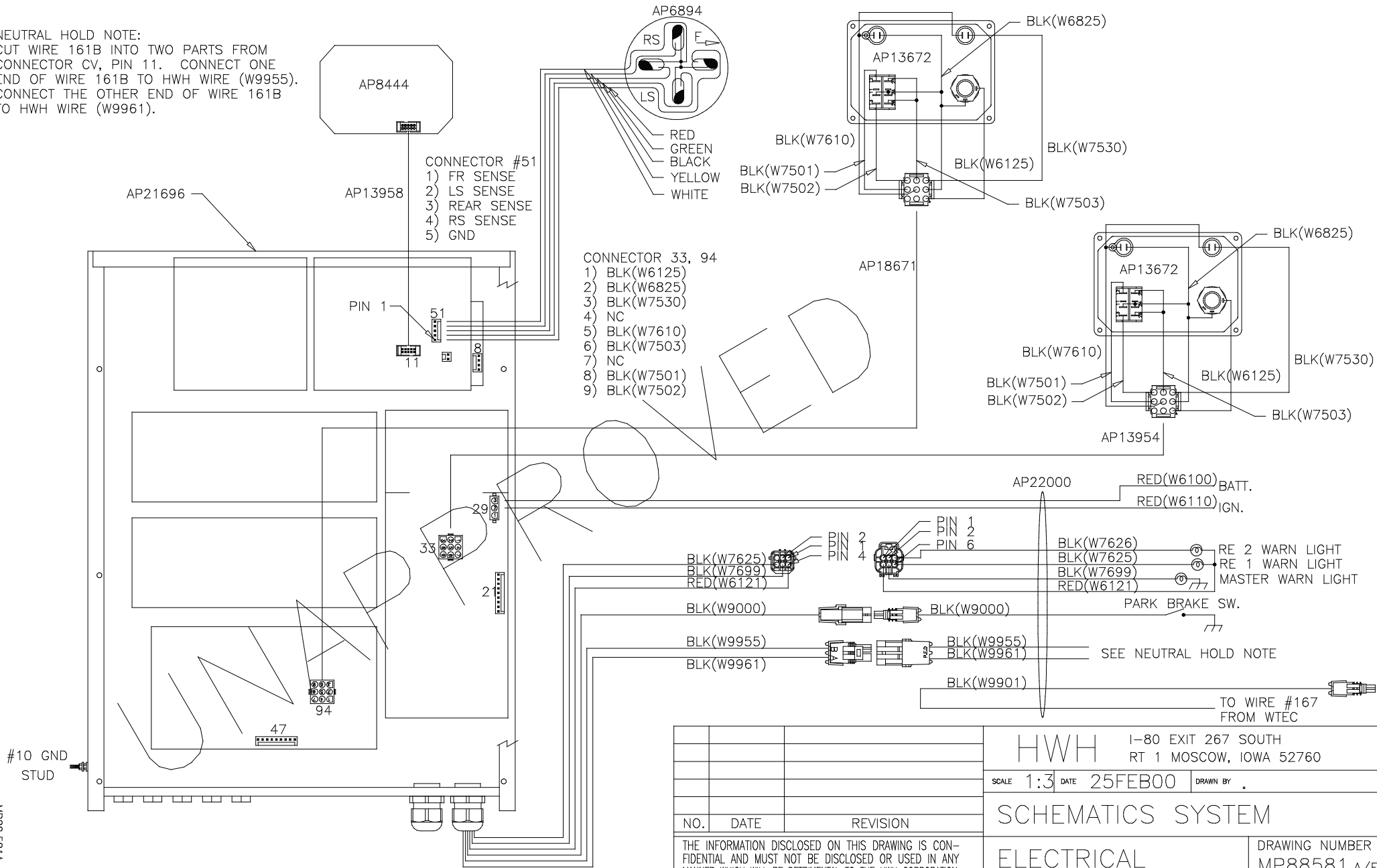
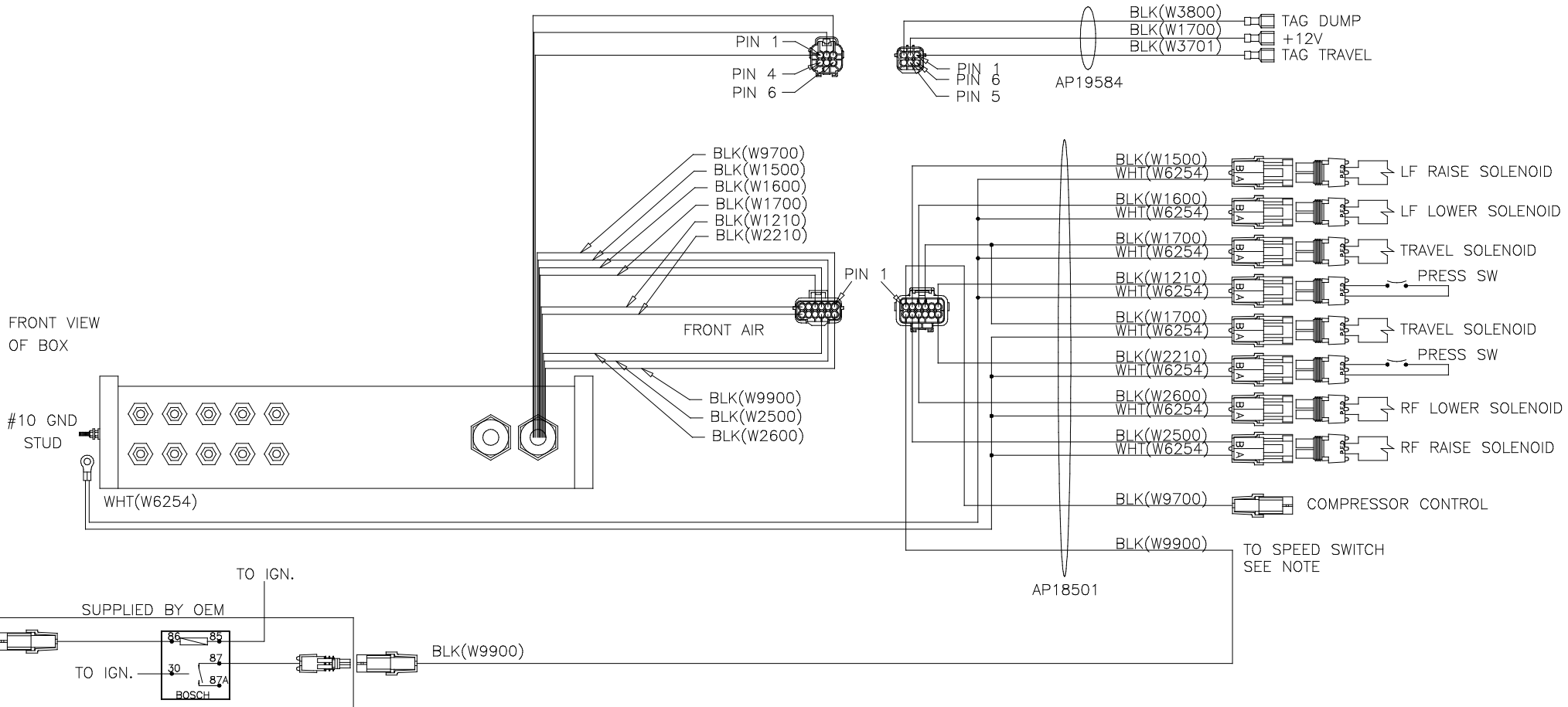


NEUTRAL HOLD NOTE:  
 CUT WIRE 161B INTO TWO PARTS FROM  
 CONNECTOR CV, PIN 11. CONNECT ONE  
 END OF WIRE 161B TO HWH WIRE (W9955).  
 CONNECT THE OTHER END OF WIRE 161B  
 TO HWH WIRE (W9961).



			HWH		I-80 EXIT 267 SOUTH RT 1 MOSCOW, IOWA 52760	
			SCALE 1:3	DATE 25FEB00	DRAWN BY .	
			SCHEMATICS SYSTEM			
			ELECTRICAL			
			DRAWING NUMBER MP88581 A/E			
NO.	DATE	REVISION	THE INFORMATION DISCLOSED ON THIS DRAWING IS CONFIDENTIAL AND MUST NOT BE DISCLOSED OR USED IN ANY MANNER WHICH WILL BE DETRIMENTAL TO THE HWH CORPORATION			

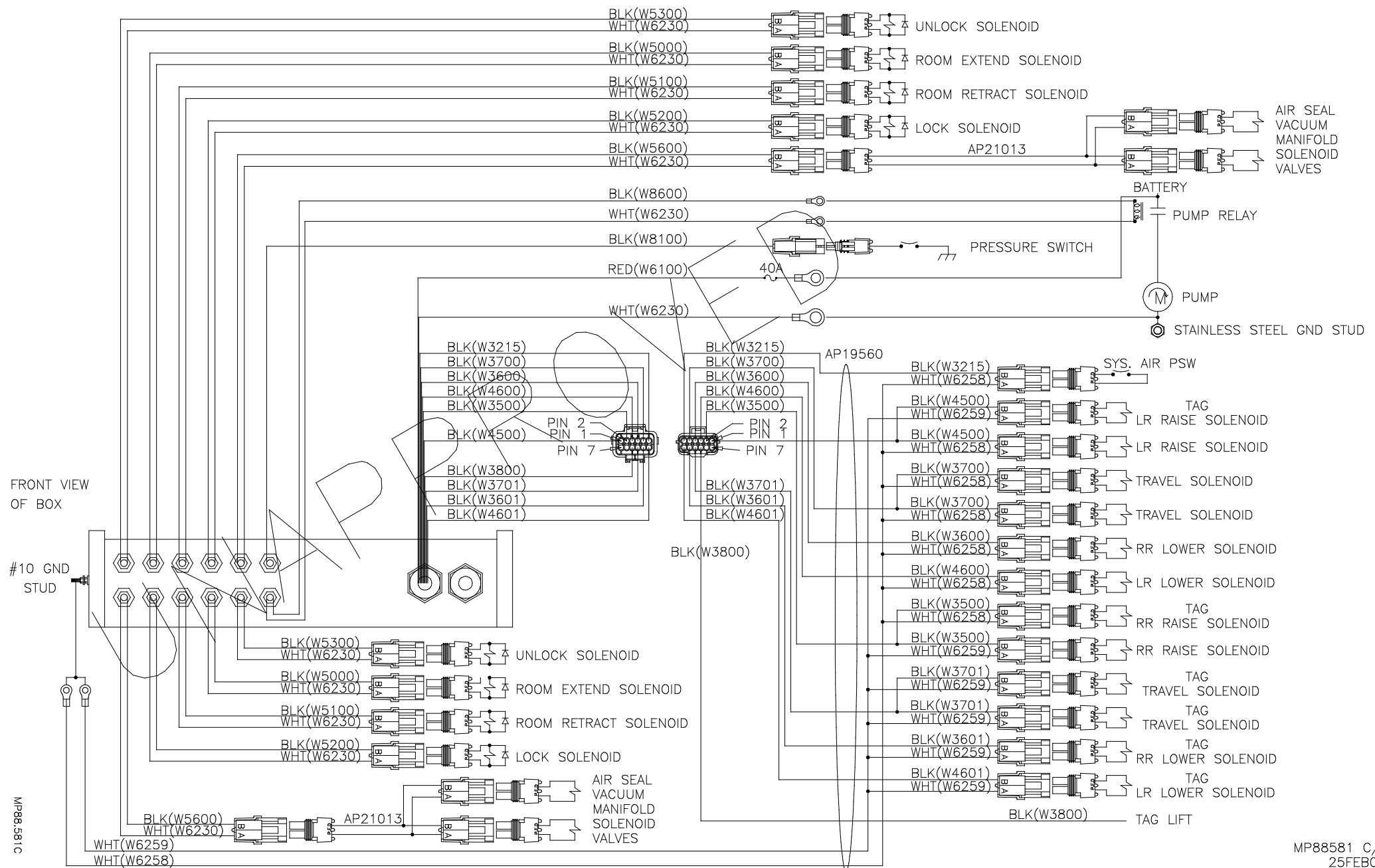
MP88581A  
25FEB00



UNAPPROVED

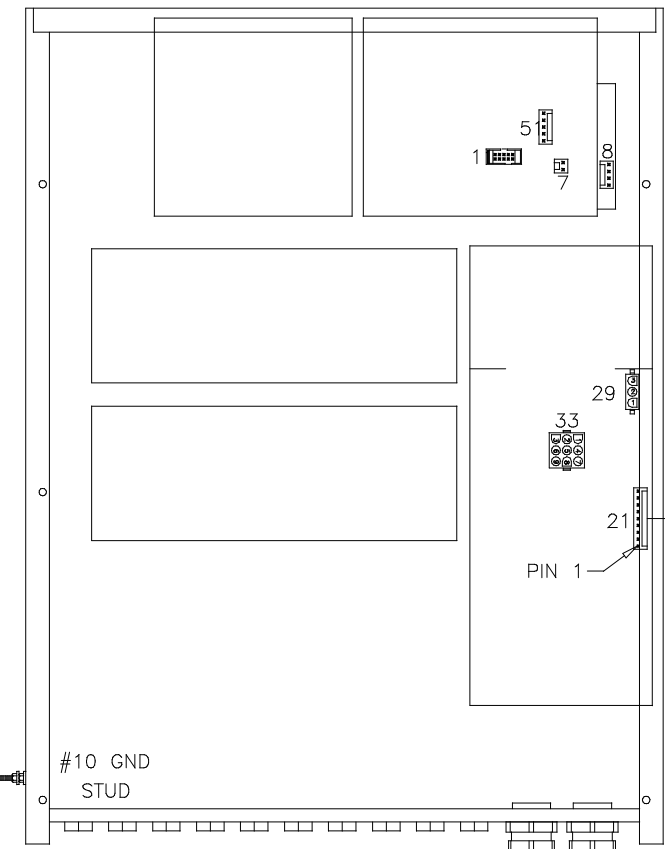
MP88581B  
25FEB00

MP88581 B/E  
25FEB00

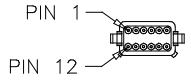


MP88.581C  
25FEB00

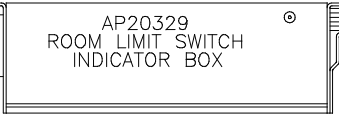
MP88581 C/E  
25FEB00



DEUTSCH PIN NUMBERS

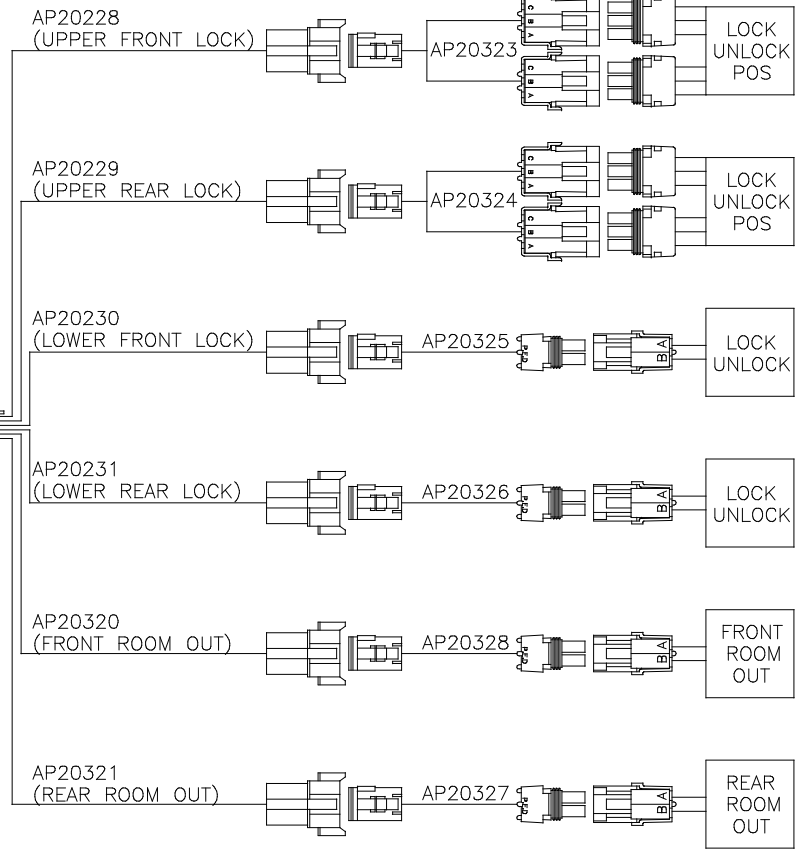


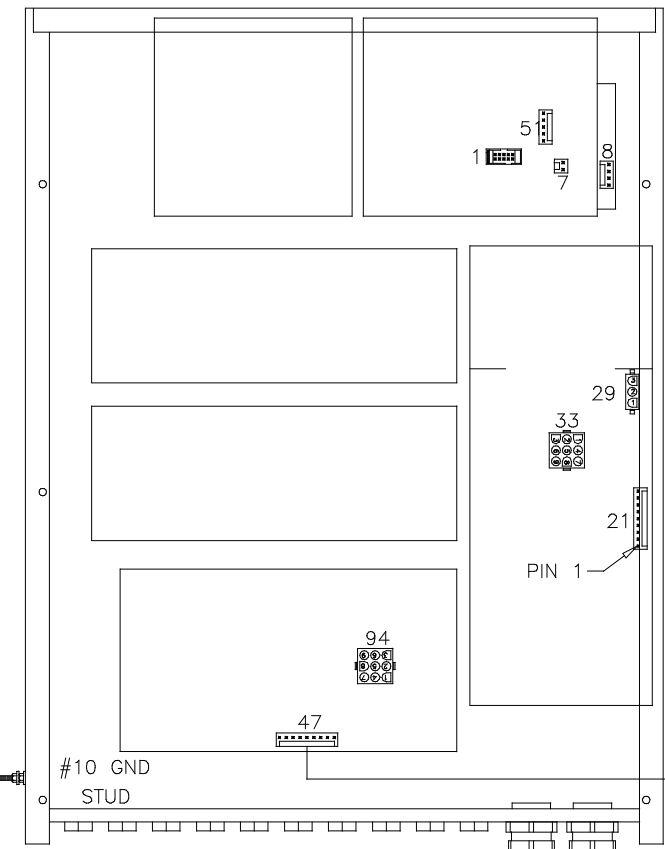
- 1) GROUND WHT(W6230)
- 2) ALL LOCK RETRACT BLK(W5754)
- 3) NC
- 4) ALL ROOM OUT BLK(W5750)
- 5) ALL ROOM IN BLK(W5752)
- 6) ALL LOCK EXTEND BLK(W5758)
- 7) NC
- 8) NC
- 9) NC
- 10) NC
- 11) NC
- 12) +12V RED(W6120)



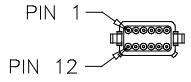
CONNECTOR #21

- 1) NC
- 2) NC
- 3) NC
- 4) ALL LOCK EXTEND BLK(W5758)
- 5) ALL ROOM IN BLK(W5752)
- 6) ALL ROOM OUT BLK(W5750)
- 7) NC
- 8) ALL LOCK RETRACT BLK(W5754)
- 9) GROUND WHT(W6230)





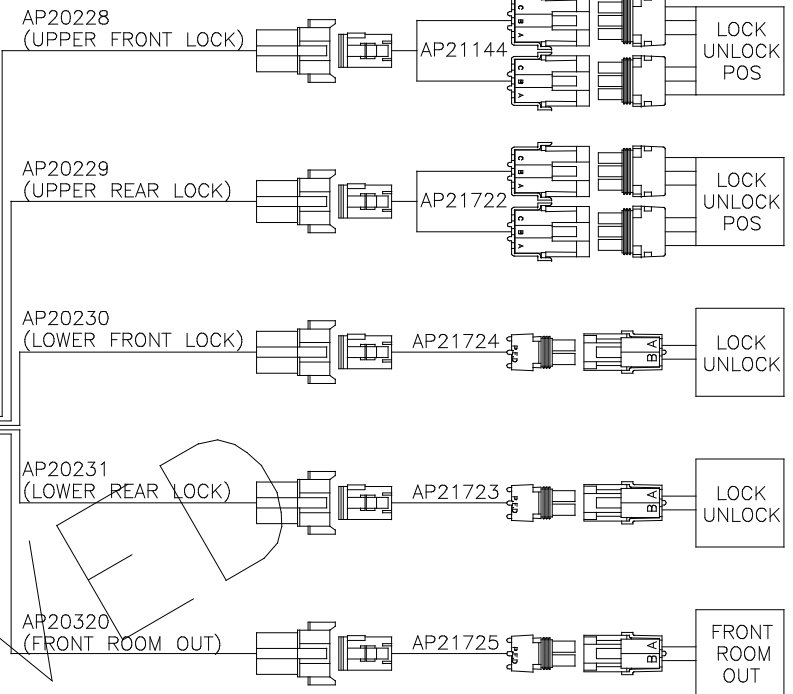
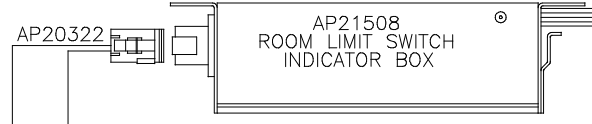
DEUTSCH PIN NUMBERS



- 1) GROUND WHT(W6230)
- 2) ALL LOCK RETRACT BLK(W5754)
- 3) NC
- 4) ALL ROOM OUT BLK(W5750)
- 5) ALL ROOM IN BLK(W5752)
- 6) ALL LOCK EXTEND BLK(W5758)
- 7) NC
- 8) NC
- 9) NC
- 10) NC
- 11) NC
- 12) +12V RED(W6120)

CONNECTOR #21

- 1) NC
- 2) NC
- 3) NC
- 4) ALL LOCK EXTEND BLK(W5758)
- 5) ALL ROOM IN BLK(W5752)
- 6) ALL ROOM OUT BLK(W5750)
- 7) NC
- 8) ALL LOCK RETRACT BLK(W5754)
- 9) GROUND WHT(W6230)



UNAPPROVED