

NOTE: INSTALLATION MUST CONFORM TO GOOD SHOP PRACTICES, SAE STANDARDS, RVIA STANDARDS, AND OTHER APPLICABLE STANDARDS.

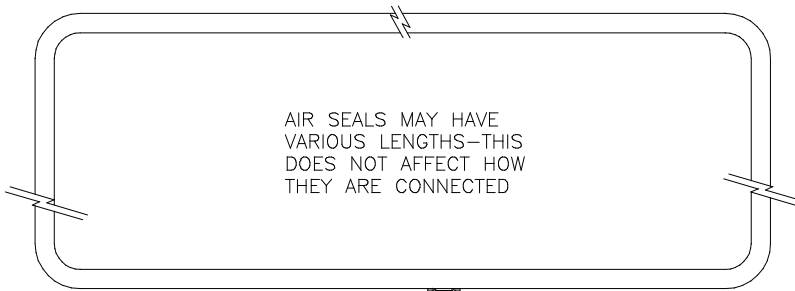
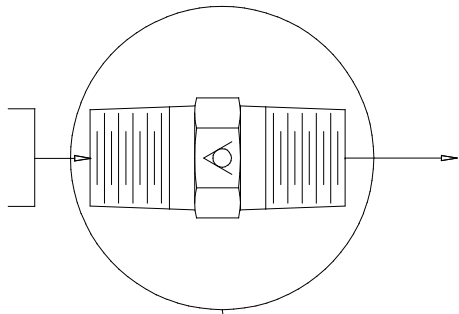
SUPPLIED BY:
 *FORETRAVEL
 **HWH
 LEVELING SYSTEM: AP41052

NO.	DATE	REVISION

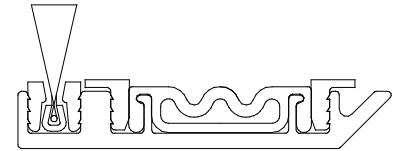
HWH I-80 EXIT 267 SOUTH RT 1 MOSCOW, IOWA 52760		
SCALE	DATE 03JUL07	DRAWN BY
AIR CONN DIAGRAM		
FORETRAVEL		DRAWING NUMBER MP79072 A/B

THE INFORMATION DISCLOSED ON THIS DRAWING IS CONFIDENTIAL AND MUST NOT BE DISCLOSED OR USED IN ANY MANNER WHICH WILL BE DETRIMENTAL TO THE HWH CORPORATION

1/4 NPT BRASS CHECK VALVE APPEARS SIMILAR TO 1/4 BRASS NIPPLE. ORIENT SO AIR FLOWS IN PROPER DIRECTION.

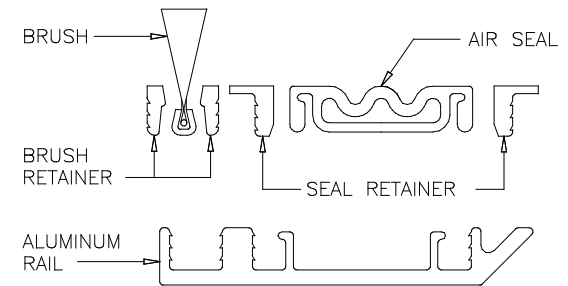
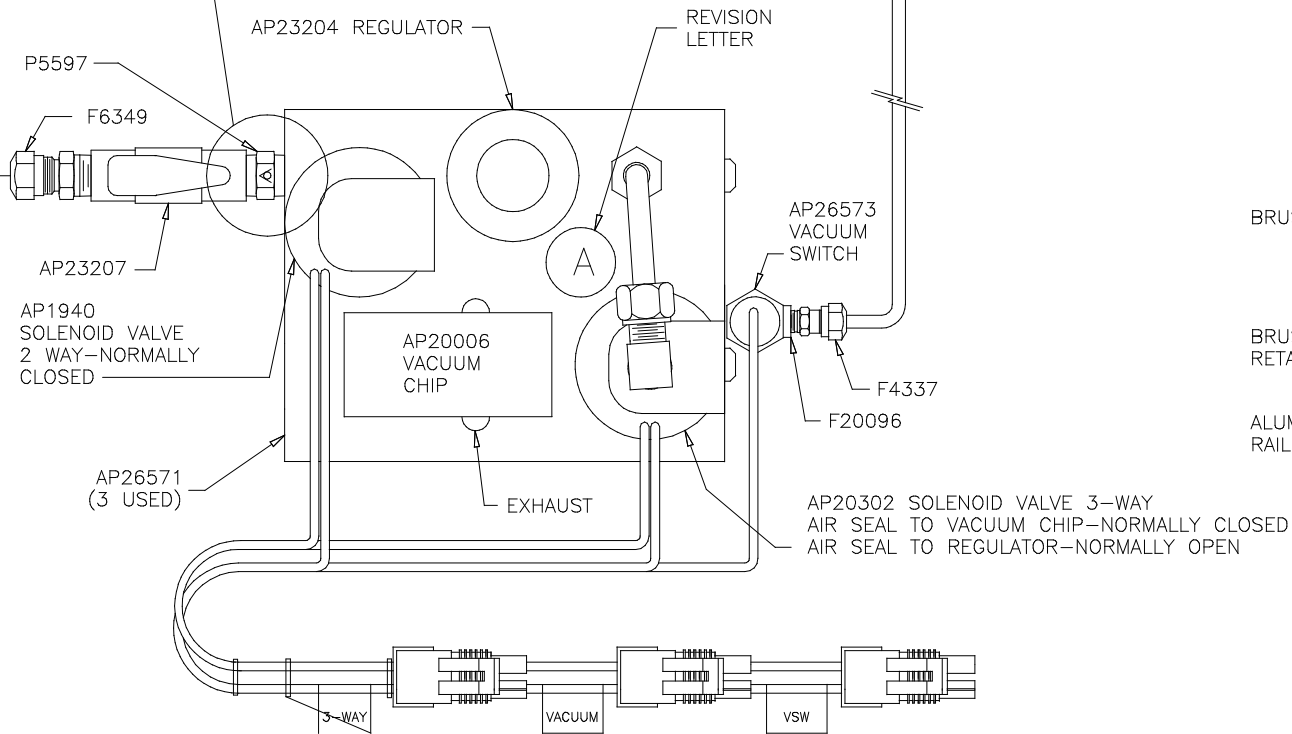


AIR SEALS MAY HAVE VARIOUS LENGTHS—THIS DOES NOT AFFECT HOW THEY ARE CONNECTED



SECTION VIEW: ASSEMBLED RAIL, BRUSH, SEAL, RETAINERS.

TO AIR SUPPLY



SECTION VIEW: EXPLODED RAIL, BRUSH, SEAL, RETAINERS.

NOTE: INSTALLATION MUST CONFORM TO GOOD SHOP PRACTICES, SAE STANDARDS, RVIA STANDARDS, AND OTHER APPLICABLE STANDARDS.