

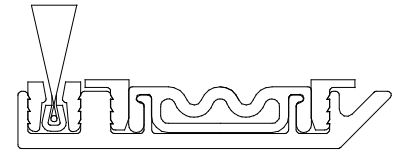
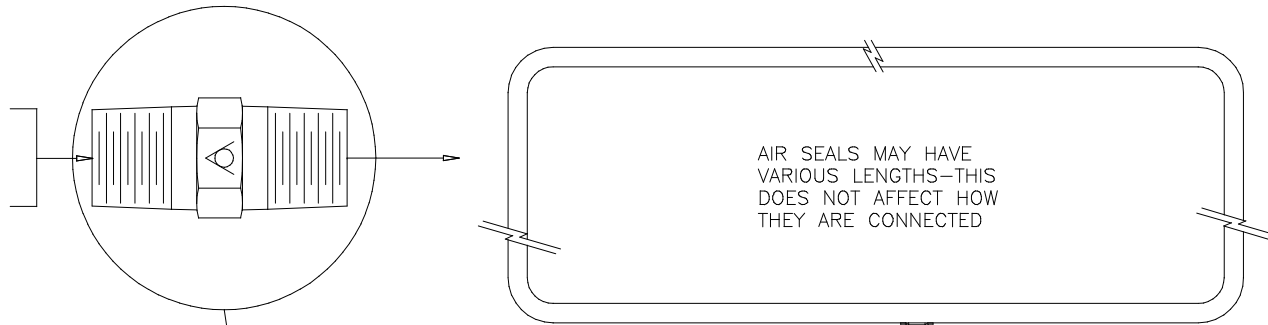
NOTE: INSTALLATION MUST CONFORM TO GOOD SHOP PRACTICES, SAE STANDARDS, RVIA STANDARDS, AND OTHER APPLICABLE STANDARDS.

SUPPLIED BY:
 *FORETRAVEL
 **HWH
 LEVELING SYSTEM: AP39980

1	03APR07	ADDED INSTALLATION NOTE
NO.	DATE	REVISION
THE INFORMATION DISCLOSED ON THIS DRAWING IS CONFIDENTIAL AND MUST NOT BE DISCLOSED OR USED IN ANY MANNER WHICH WILL BE DETRIMENTAL TO THE HWH CORPORATION		

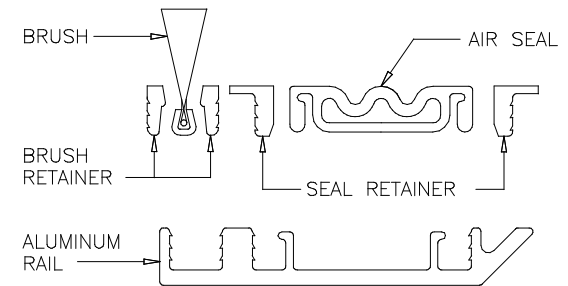
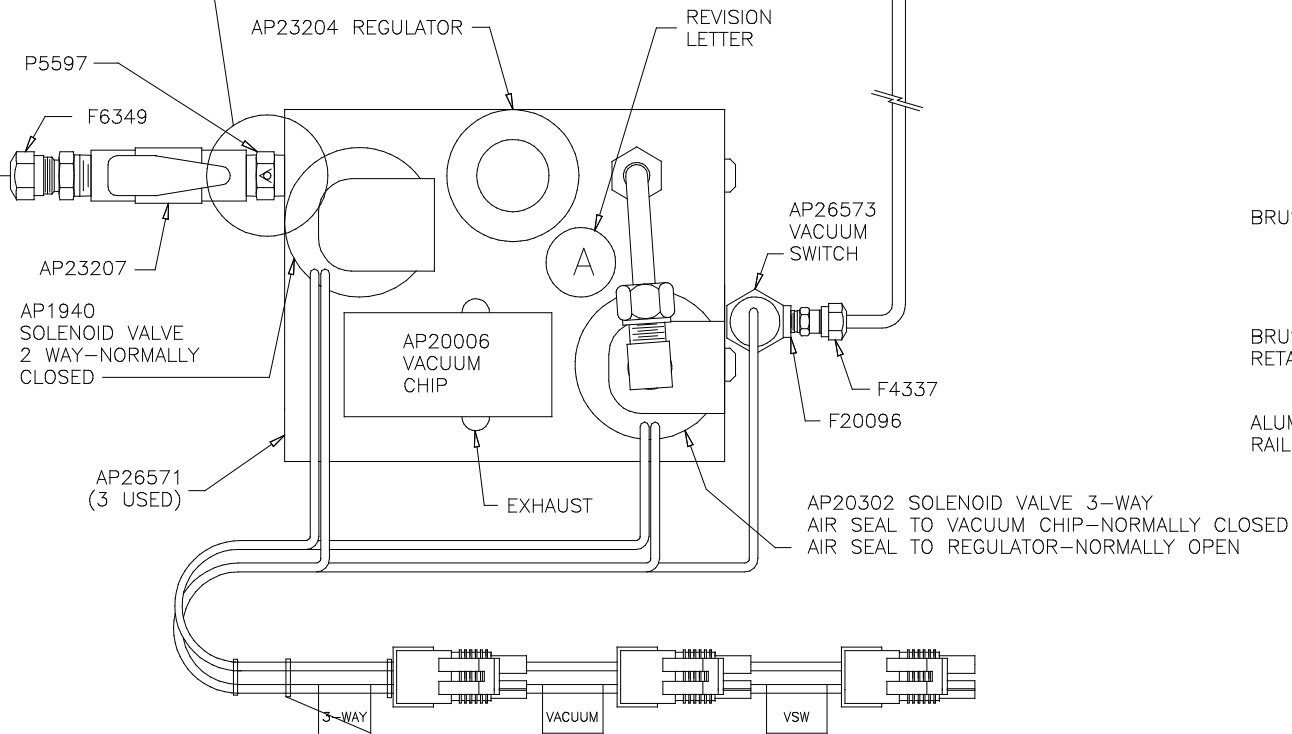
HWH 1-80 EXIT 267 SOUTH RT 1 MOSCOW, IOWA 52760		
SCALE	DATE 15FEB07	DRAWN BY
AIR CONN DIAGRAM		
FORETRAVEL		DRAWING NUMBER MP79067 A/B

1/4 NPT BRASS CHECK VALVE APPEARS SIMILAR TO 1/4 BRASS NIPPLE. ORIENT SO AIR FLOWS IN PROPER DIRECTION.



SECTION VIEW: ASSEMBLED RAIL, BRUSH, SEAL, RETAINERS.

TO AIR SUPPLY



SECTION VIEW: EXPLODED RAIL, BRUSH, SEAL, RETAINERS.

NOTE: INSTALLATION MUST CONFORM TO GOOD SHOP PRACTICES, SAE STANDARDS, RVIA STANDARDS, AND OTHER APPLICABLE STANDARDS.

MP79067 B/B
03APR07