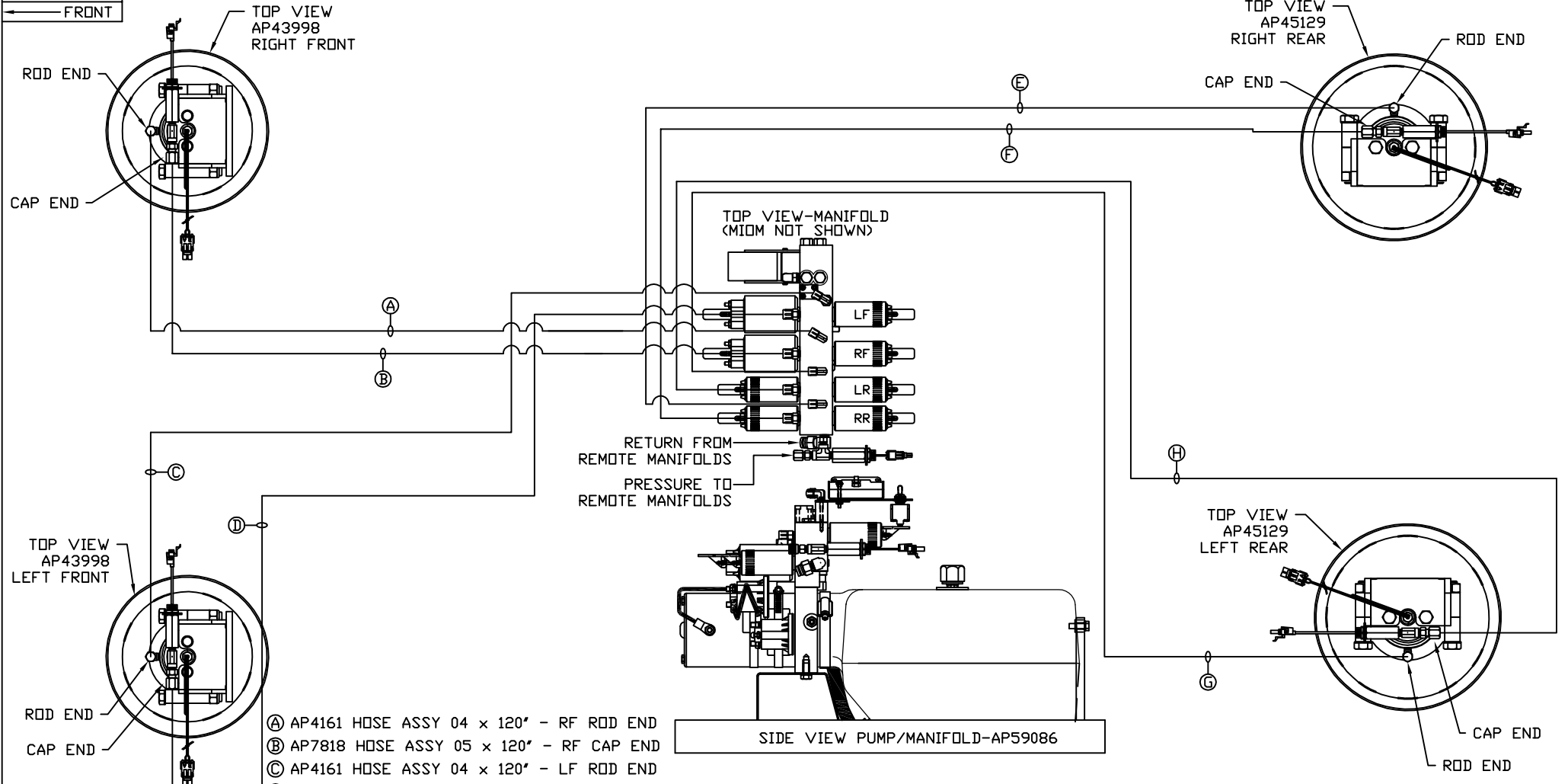


ORIENTATION
← FRONT



- Ⓐ AP4161 HOSE ASSY 04 x 120' - RF ROD END
- Ⓑ AP7818 HOSE ASSY 05 x 120' - RF CAP END
- Ⓒ AP4161 HOSE ASSY 04 x 120' - LF ROD END
- Ⓓ AP7818 HOSE ASSY 05 x 120' - LF CAP END
- Ⓔ AP4064 HOSE ASSY 04 x 300' - RR ROD END
- Ⓕ AP6638 HOSE ASSY 05 x 300' - RR CAP END
- Ⓖ AP4064 HOSE ASSY 04 x 300' - LR ROD END
- Ⓗ AP6638 HOSE ASSY 05 x 300' - LR CAP END

NOTE: INSTALLATION MUST CONFORM TO GOOD SHOP PRACTICES, SAE STANDARDS, RVIA STANDARDS, AND OTHER APPLICABLE STANDARDS. LEVELING SYSTEM: AP61424

NO.	DATE	REVISION

<p>HWH I-80 EXIT 267 SOUTH RT 1 MOSCOW, IOWA 52760</p>		
SCALE 1:6	DATE 16JUN20	DRAWN BY .
<p>HYD CONN DIAGRAM</p>		
<p>LPD TRAILER</p>		<p>DRAWING NUMBER MP71294 A/B</p>

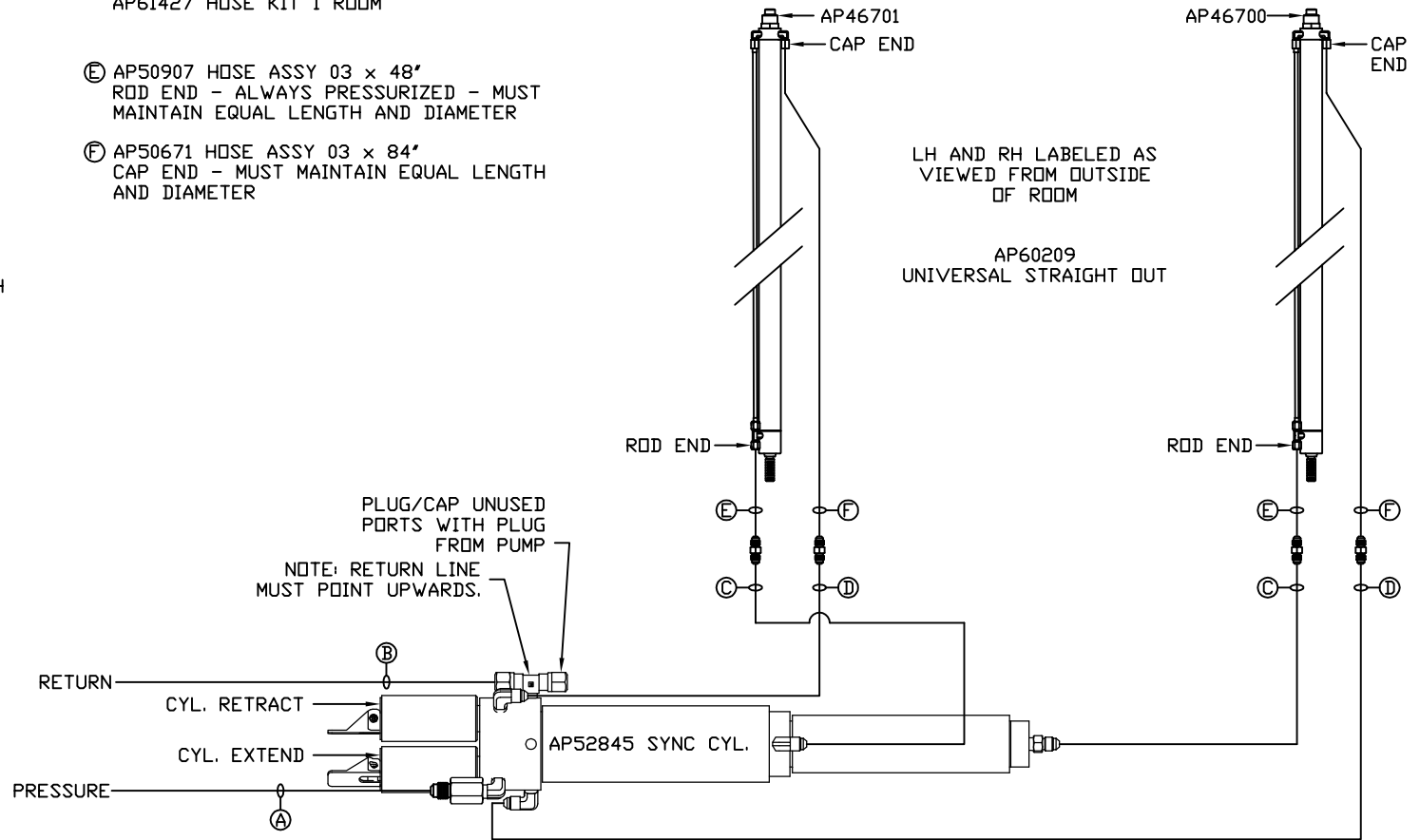
THE INFORMATION DISCLOSED ON THIS DRAWING IS CONFIDENTIAL AND MUST NOT BE DISCLOSED OR USED IN ANY MANNER WHICH WILL BE DETRIMENTAL TO THE HWH CORPORATION

NOTE: HOSES (E) AND (F) ARE INCLUDED WITH THE ROOM EXTENSION MECHANISM

AP61427 HOSE KIT 1 ROOM

- (A) AP4059 HOSE ASSY 04 x 36' PRESSURE
- (B) P31138 TUBING NYLON 3/8" x 36' RETURN
- (C) AP51480 HOSE ASSY 03 x 66' ROD END - ALWAYS PRESSURIZED - MUST MAINTAIN EQUAL LENGTH AND DIAMETER
- (D) AP5351 HOSE ASSY 04 x 66' CAP END - MUST MAINTAIN EQUAL LENGTH AND DIAMETER

- (E) AP50907 HOSE ASSY 03 x 48' ROD END - ALWAYS PRESSURIZED - MUST MAINTAIN EQUAL LENGTH AND DIAMETER
- (F) AP50671 HOSE ASSY 03 x 84' CAP END - MUST MAINTAIN EQUAL LENGTH AND DIAMETER



NOTE: INSTALLATION MUST CONFORM TO GOOD SHOP PRACTICES, SAE STANDARDS, RVIA STANDARDS, AND OTHER APPLICABLE STANDARDS.

MP71294 B/B
16JUN20