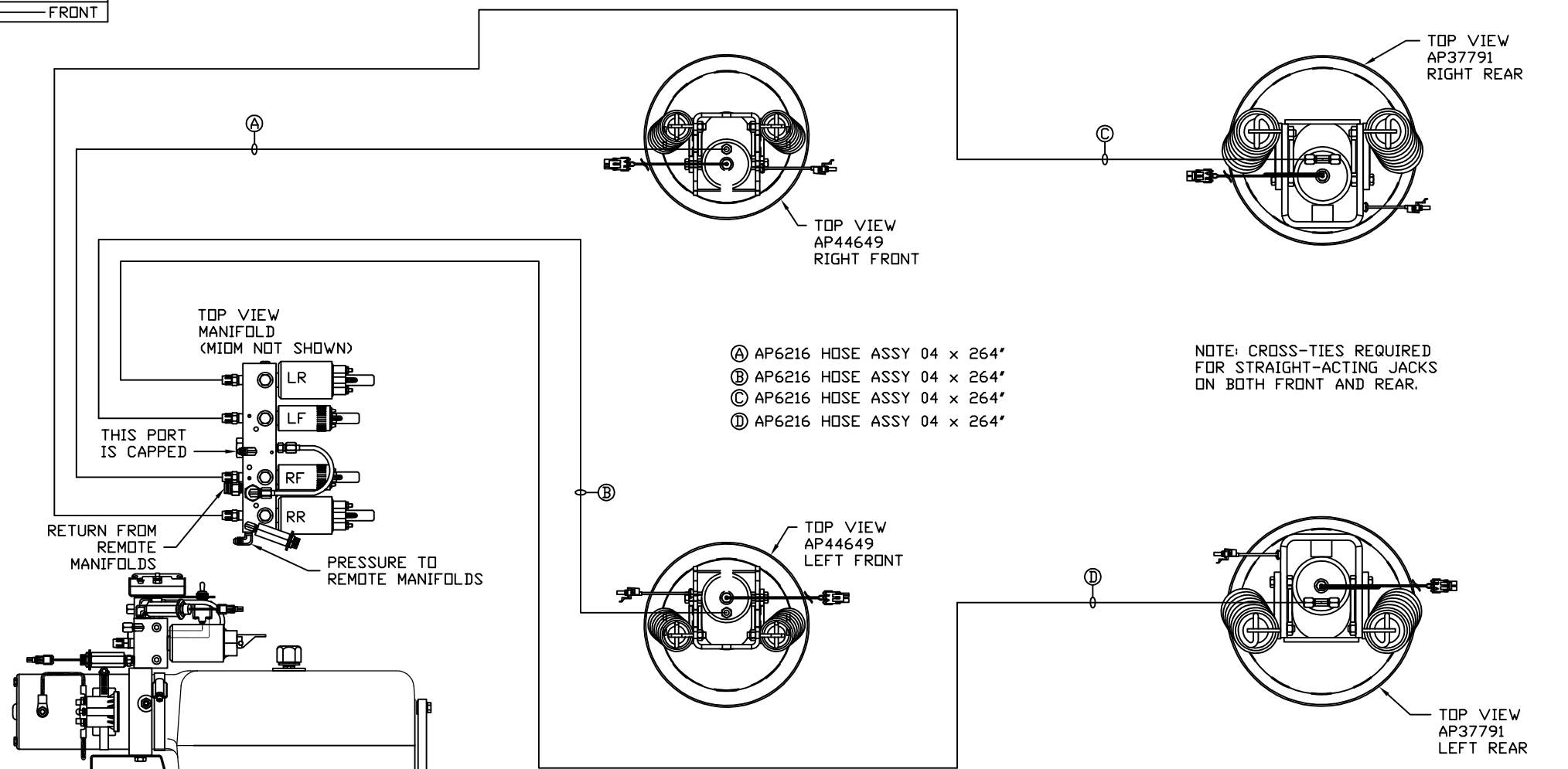


ORIENTATION
← FRONT



TOP VIEW
MANIFOLD
(MIDM NOT SHOWN)

THIS PORT
IS CAPPED

RETURN FROM
REMOTE
MANIFOLDS

PRESSURE TO
REMOTE MANIFOLDS

- Ⓐ AP6216 HOSE ASSY 04 x 264"
- Ⓑ AP6216 HOSE ASSY 04 x 264"
- Ⓒ AP6216 HOSE ASSY 04 x 264"
- Ⓓ AP6216 HOSE ASSY 04 x 264"

NOTE: CROSS-TIES REQUIRED
FOR STRAIGHT-ACTING JACKS
ON BOTH FRONT AND REAR.

SIDE VIEW PUMP/MANIFOLD-AP59028
LOCATION AND ORIENTATION OF
PUMP/MANIFOLD ASSEMBLY WILL
DIFFER DEPENDING UPON O.E.M.

NOTE: INSTALLATION MUST CONFORM TO GOOD SHOP PRACTICES, SAE
STANDARDS, RVIA STANDARDS, AND OTHER APPLICABLE STANDARDS.

LEVELING SYSTEM: AP61408

NO.	DATE	REVISION

HWH I-80 EXIT 267 SOUTH
RT 1 MOSCOW, IOWA 52760

SCALE 1:6 DATE 16JUN20 DRAWN BY .

HYD CONN DIAGRAM

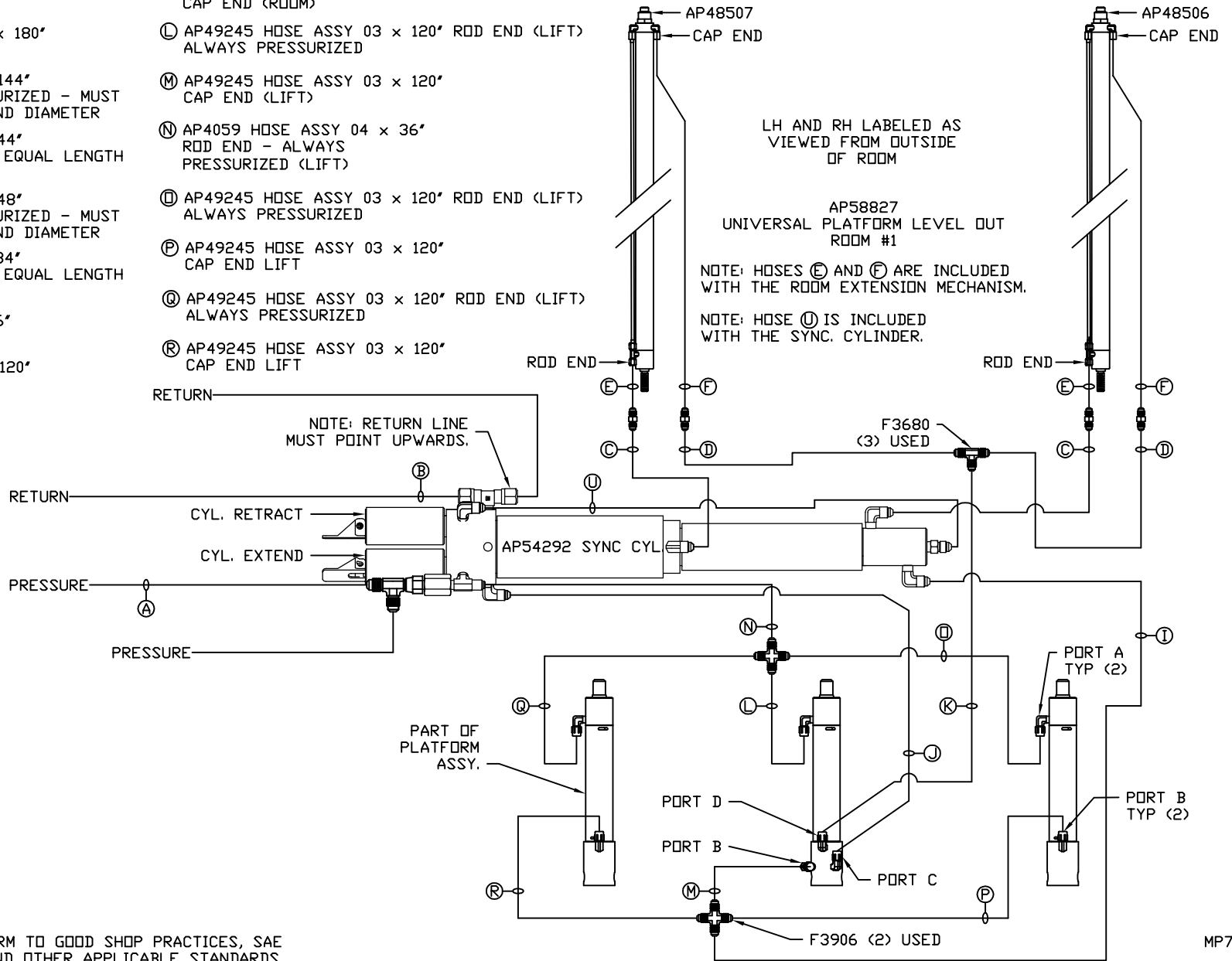
MATTHEWS DRAWING NUMBER
MP71293 A/E

THE INFORMATION DISCLOSED ON THIS DRAWING IS CONFIDENTIAL AND MUST NOT BE DISCLOSED OR USED IN ANY MANNER WHICH WILL BE DETRIMENTAL TO THE HWH CORPORATION

- (A) AP4161 HOSE ASSY 04 x 120' PRESSURE
- (B) P5145 NYLON TUBING 3/8 x 180' RETURN
- (C) AP50779 HOSE ASSY 03 x 144' ROD END - ALWAYS PRESSURIZED - MUST MAINTAIN EQUAL LENGTH AND DIAMETER
- (D) AP4827 HOSE ASSY 04 x 144' CAP END - MUST MAINTAIN EQUAL LENGTH AND DIAMETER
- (E) AP50907 HOSE ASSY 03 x 48' ROD END - ALWAYS PRESSURIZED - MUST MAINTAIN EQUAL LENGTH AND DIAMETER
- (F) AP50671 HOSE ASSY 03 x 84' CAP END - MUST MAINTAIN EQUAL LENGTH AND DIAMETER
- (I) AP4059 HOSE ASSY 04 x 36' CAP END (LIFT)
- (J) AP49245 HOSE ASSY 03 x 120' CAP END (ROOM)

- (K) AP49245 HOSE ASSY 03 x 120' CAP END (ROOM)
- (L) AP49245 HOSE ASSY 03 x 120' ROD END (LIFT) ALWAYS PRESSURIZED
- (M) AP49245 HOSE ASSY 03 x 120' CAP END (LIFT)
- (N) AP4059 HOSE ASSY 04 x 36' ROD END - ALWAYS PRESSURIZED (LIFT)
- (O) AP49245 HOSE ASSY 03 x 120' ROD END (LIFT) ALWAYS PRESSURIZED
- (P) AP49245 HOSE ASSY 03 x 120' CAP END LIFT
- (Q) AP49245 HOSE ASSY 03 x 120' ROD END (LIFT) ALWAYS PRESSURIZED
- (R) AP49245 HOSE ASSY 03 x 120' CAP END LIFT

AP61397 HOSE KIT 4 ROOM



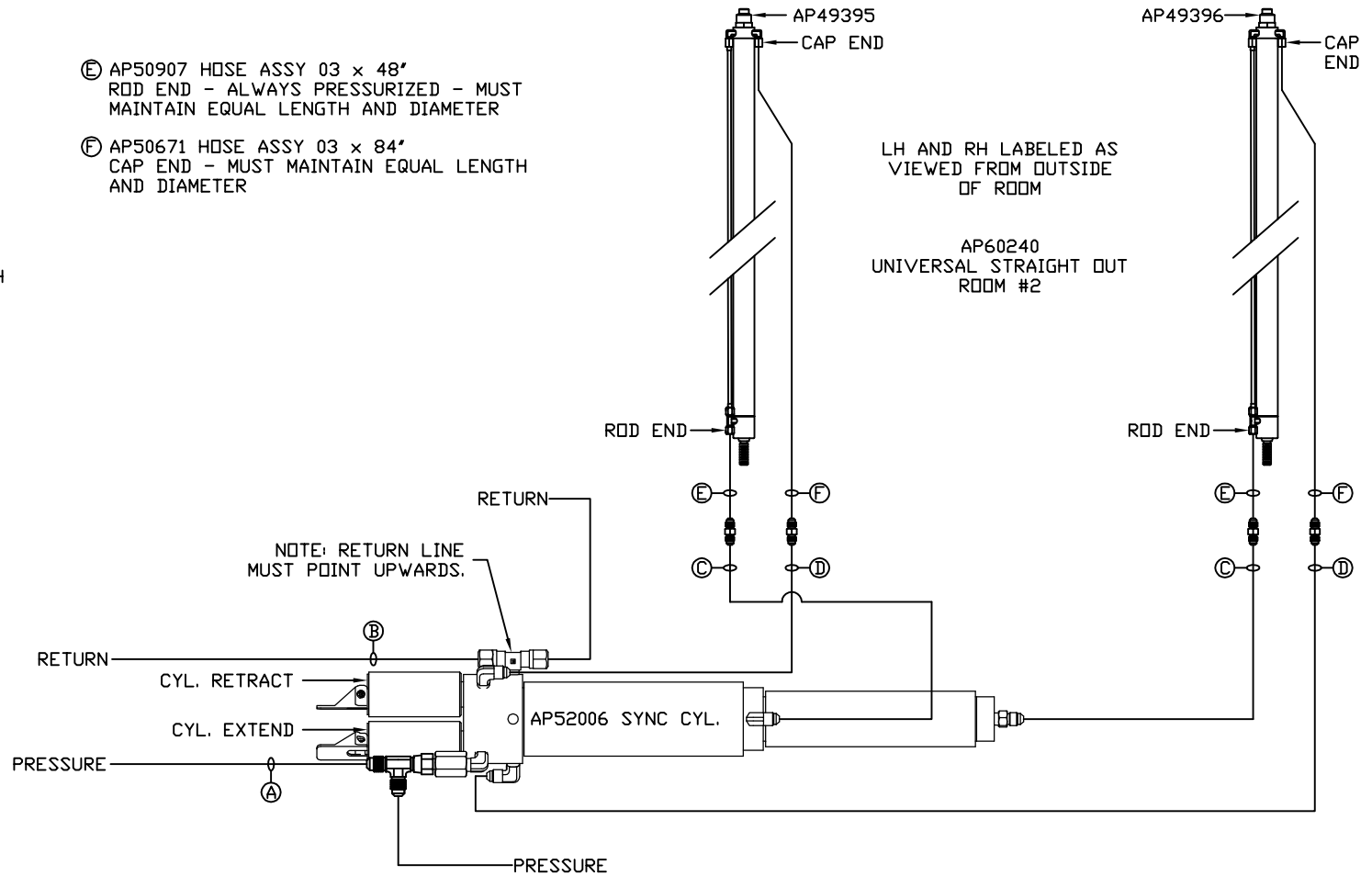
NOTE: INSTALLATION MUST CONFORM TO GOOD SHOP PRACTICES, SAE STANDARDS, RVIA STANDARDS, AND OTHER APPLICABLE STANDARDS.

MP71293 B/E
16JUN20

NOTE: HOSES (E) AND (F) ARE INCLUDED WITH THE ROOM EXTENSION MECHANISM

- (A) AP4827 HOSE ASSY 04 x 144" PRESSURE
- (B) P53886 NYLON TUBING 3/8 x 240" RETURN
- (C) AP51635 HOSE ASSY 03 x 216" ROD END - ALWAYS PRESSURIZED - MUST MAINTAIN EQUAL LENGTH AND DIAMETER
- (D) AP4061 HOSE ASSY 04 x 216" CAP END - MUST MAINTAIN EQUAL LENGTH AND DIAMETER

- (E) AP50907 HOSE ASSY 03 x 48" ROD END - ALWAYS PRESSURIZED - MUST MAINTAIN EQUAL LENGTH AND DIAMETER
- (F) AP50671 HOSE ASSY 03 x 84" CAP END - MUST MAINTAIN EQUAL LENGTH AND DIAMETER



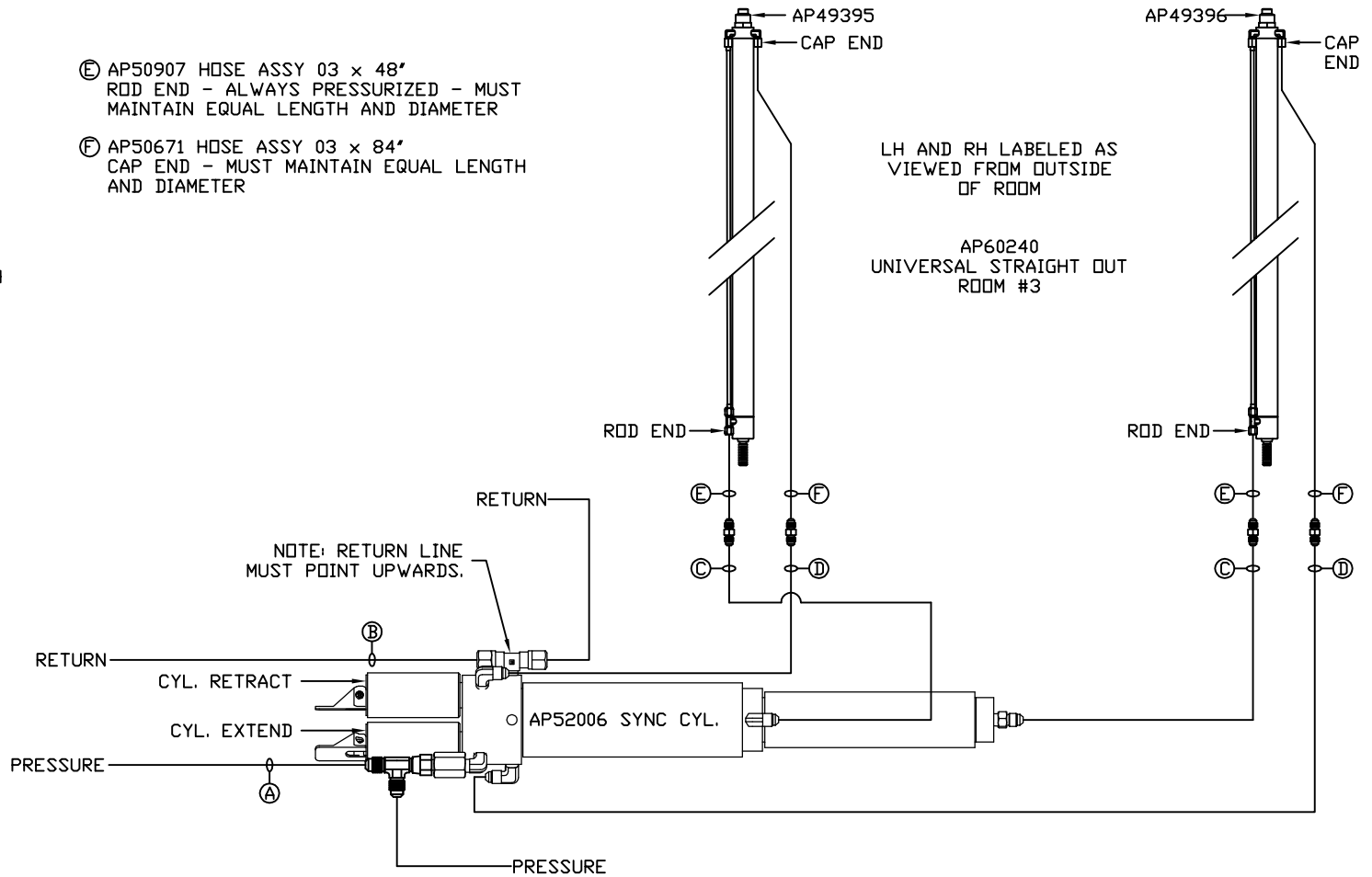
NOTE: INSTALLATION MUST CONFORM TO GOOD SHOP PRACTICES, SAE STANDARDS, RVIA STANDARDS, AND OTHER APPLICABLE STANDARDS.

MP71293 C/E
16JUN20

NOTE: HOSES (E) AND (F) ARE INCLUDED WITH THE ROOM EXTENSION MECHANISM

- (A) AP4161 HOSE ASSY 04 x 120' PRESSURE
- (B) P5145 TUBING NYLON 3/8" x 180' RETURN
- (C) AP51635 HOSE ASSY 03 x 216' ROD END - ALWAYS PRESSURIZED - MUST MAINTAIN EQUAL LENGTH AND DIAMETER
- (D) AP4061 HOSE ASSY 04 x 216' CAP END - MUST MAINTAIN EQUAL LENGTH AND DIAMETER

- (E) AP50907 HOSE ASSY 03 x 48' ROD END - ALWAYS PRESSURIZED - MUST MAINTAIN EQUAL LENGTH AND DIAMETER
- (F) AP50671 HOSE ASSY 03 x 84' CAP END - MUST MAINTAIN EQUAL LENGTH AND DIAMETER



NOTE: INSTALLATION MUST CONFORM TO GOOD SHOP PRACTICES, SAE STANDARDS, RVIA STANDARDS, AND OTHER APPLICABLE STANDARDS.

MP71293 D/E
16JUN20

