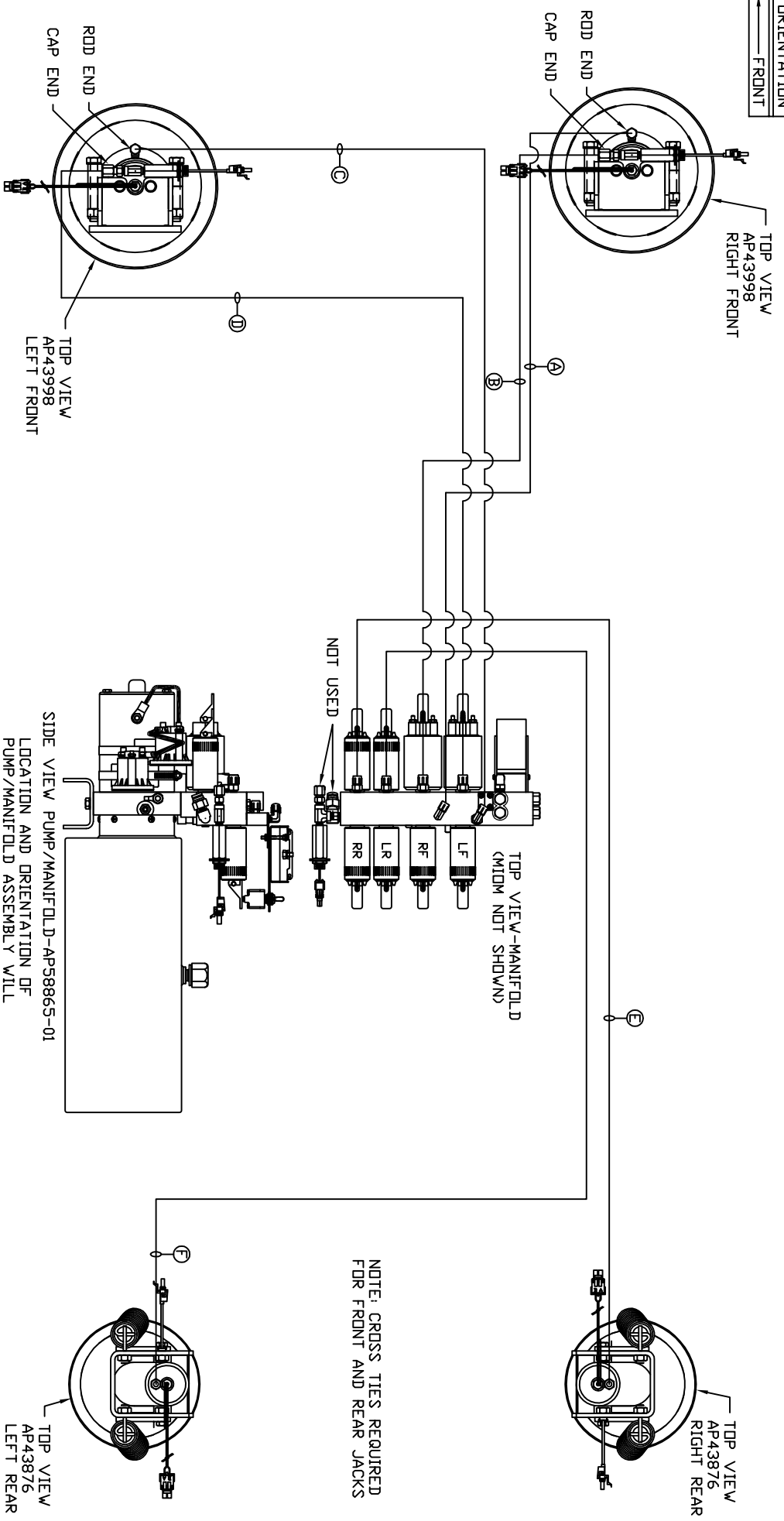


ORIENTATION
FRONT



- Ⓐ AP4065 HOSE ASSY 04 X 156' - RF ROD END
- Ⓑ AP22077 HOSE ASSY 05 X 156' - RF CAP END
- Ⓒ AP4906 HOSE ASSY 04 X 126' - LF ROD END
- Ⓓ AP54007 HOSE ASSY 05 X 126' - RF CAP END
- Ⓔ AP4313 HOSE ASSY 04 X 396' - RR CAP END
- Ⓕ AP5561 HOSE ASSY 04 X 336' - LR CAP END

NOTE: INSTALLATION MUST CONFORM TO GOOD SHOP PRACTICES, SAE STANDARDS, RVIA STANDARDS, AND OTHER APPLICABLE STANDARDS.

LEVELING SYSTEM: AP60860

NO.	DATE	REVISION

THE INFORMATION DISCLOSED ON THIS DRAWING IS CONFIDENTIAL AND MUST NOT BE DISCLOSED OR USED IN ANY MANNER WHICH WILL BE DETRIMENTAL TO THE HWH CORPORATION

HWH 1-80 EXIT 267 SOUTH
RT 1 MOSCOW, IOWA 52760

SCALE 1:6 DATE 04DEC19 DRAWN BY .

HYD CONN DIAGRAM

ROLLINGSTAR DRAWING NUMBER MP71255