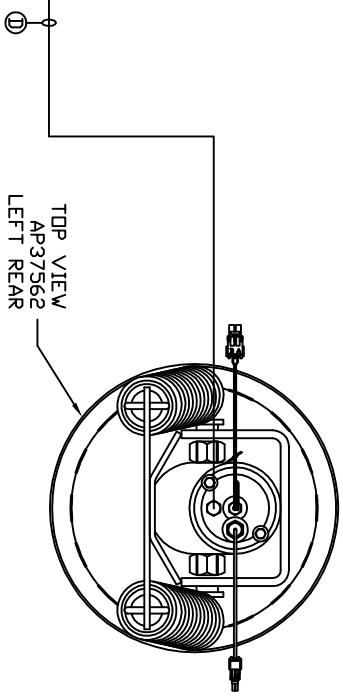
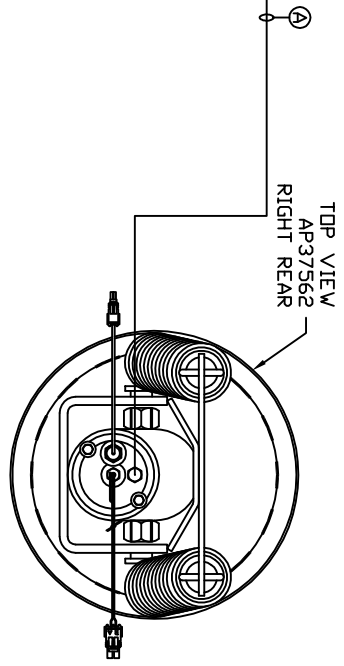
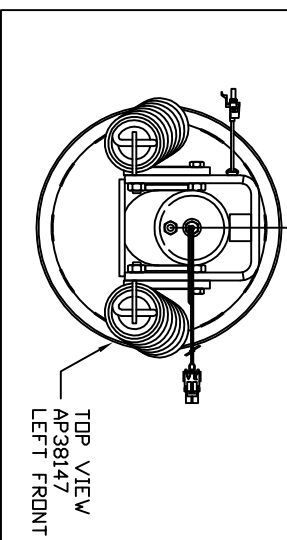
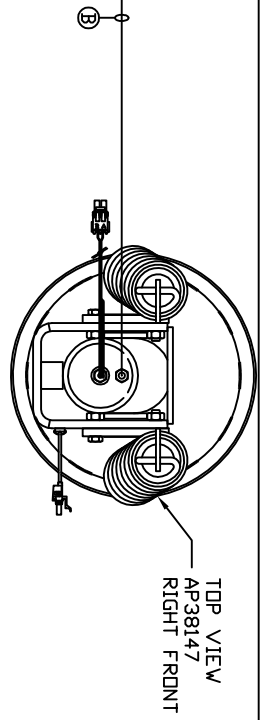
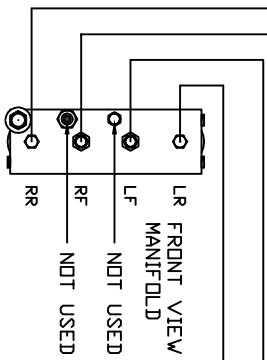
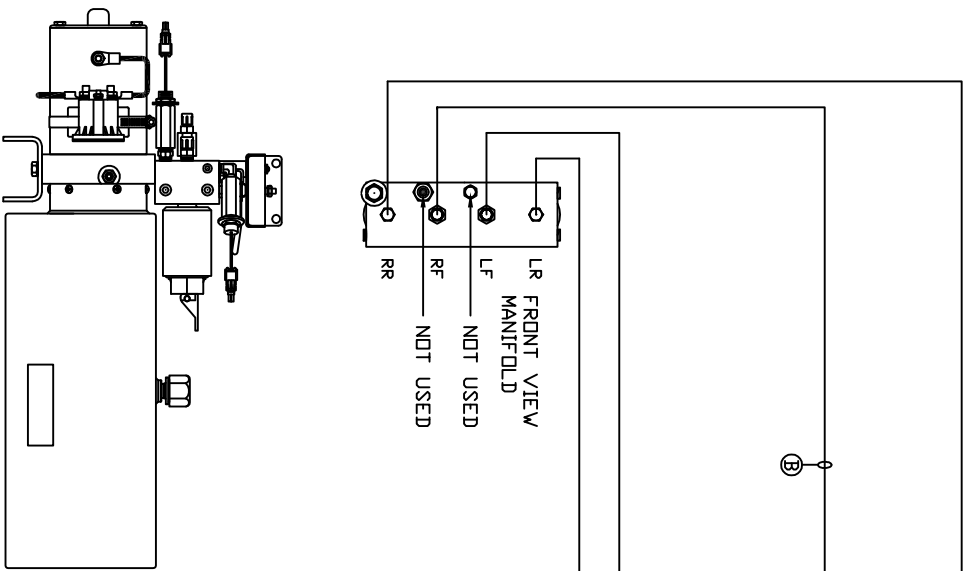


ORIENTATION
FRONT



- Ⓐ AP23233 HOSE ASSY 05 x 168"
 - Ⓑ AP6216 HOSE ASSY 04 x 264"
 - Ⓒ AP6216 HOSE ASSY 04 x 264"
 - Ⓓ AP23233 HOSE ASSY 05 x 168"
- CROSS TIES REQUIRED FOR FRONT AND REAR JACKS

NOTE: INSTALLATION MUST CONFORM TO GOOD SHOP PRACTICES, SAE STANDARDS, VIA STANDARDS, AND OTHER APPLICABLE STANDARDS.

LEVELING SYSTEM: AP57333

NO.	DATE	REVISION

THE INFORMATION DISCLOSED ON THIS DRAWING IS CONFIDENTIAL AND MUST NOT BE DISCLOSED OR USED IN ANY MANNER WHICH WILL BE DETRIMENTAL TO THE HWH CORPORATION

HWH 1-80 EXIT 267 SOUTH
RT 1 MOSCOW, IOWA 52760

SCALE 1:6 DATE 06JAN17 DRAWN BY .

HYD CONN DIAGRAM

FRONTLINE DRAWING NUMBER MP71039