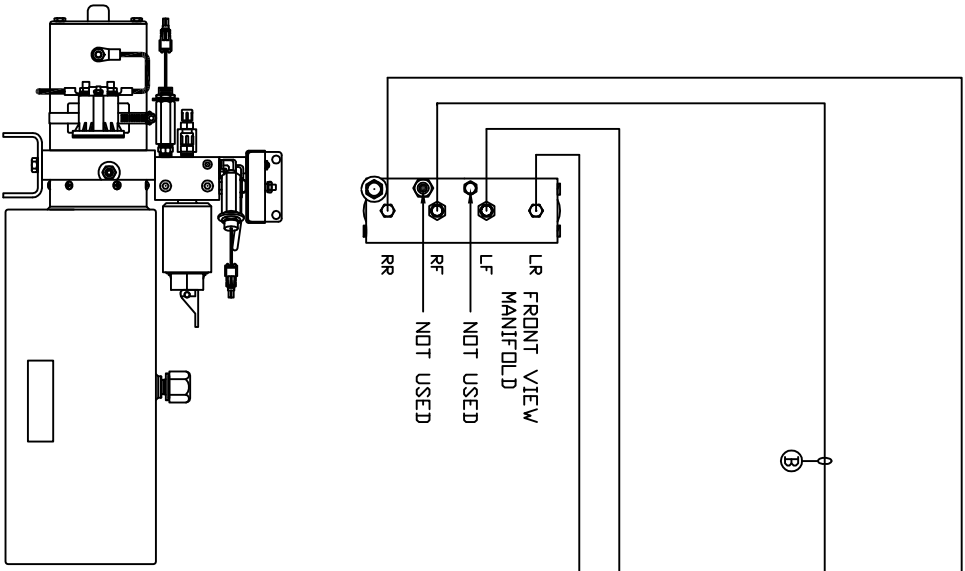
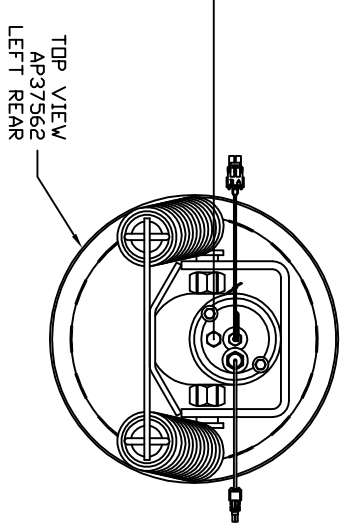
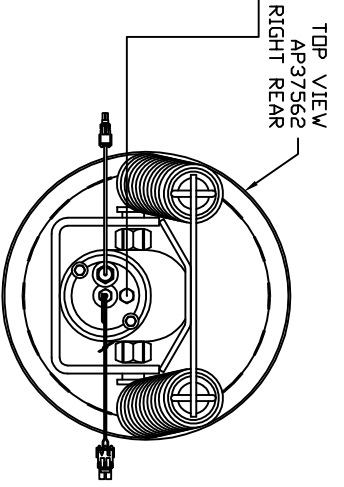
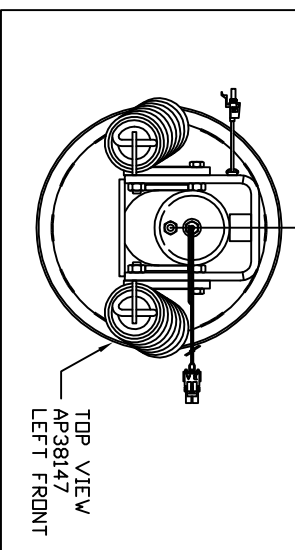
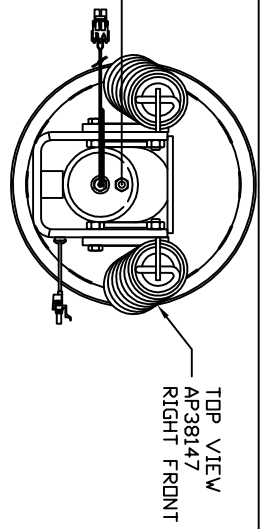


ORIENTATION
FRONT



SIDE VIEW PUMP/MANIFOLD-AP53196
LOCATION AND ORIENTATION OF
PUMP/MANIFOLD ASSEMBLY WILL
DIFFER DEPENDING UPON O.E.M.



- Ⓐ AP19013 HOSE ASSY 05 x 180'
 - Ⓑ AP4313 HOSE ASSY 04 x 396'
 - Ⓒ AP2464 HOSE ASSY 04 x 324'
 - Ⓓ AP8383 HOSE ASSY 05 x 96'
- CROSS TIES REQUIRED FOR
FRONT AND REAR JACKS

NOTE: INSTALLATION MUST CONFORM TO GOOD SHOP PRACTICES, SAE
STANDARDS, RVIA STANDARDS, AND OTHER APPLICABLE STANDARDS.

LEVELING SYSTEM: AP56578

NO.	DATE	REVISION

THE INFORMATION DISCLOSED ON THIS DRAWING IS CON-
FIDENTIAL AND MUST NOT BE DISCLOSED OR USED IN ANY
MANNER WHICH WILL BE DETRIMENTAL TO THE HWH CORPORATION

HWH 1-80 EXIT 267 SOUTH
RT 1 MOSCOW, IOWA 52760

SCALE 1:6 DATE 28APR16 DRAWN BY .

HYD CONN DIAGRAM

FRONTLINE DRAWING NUMBER
MP70991