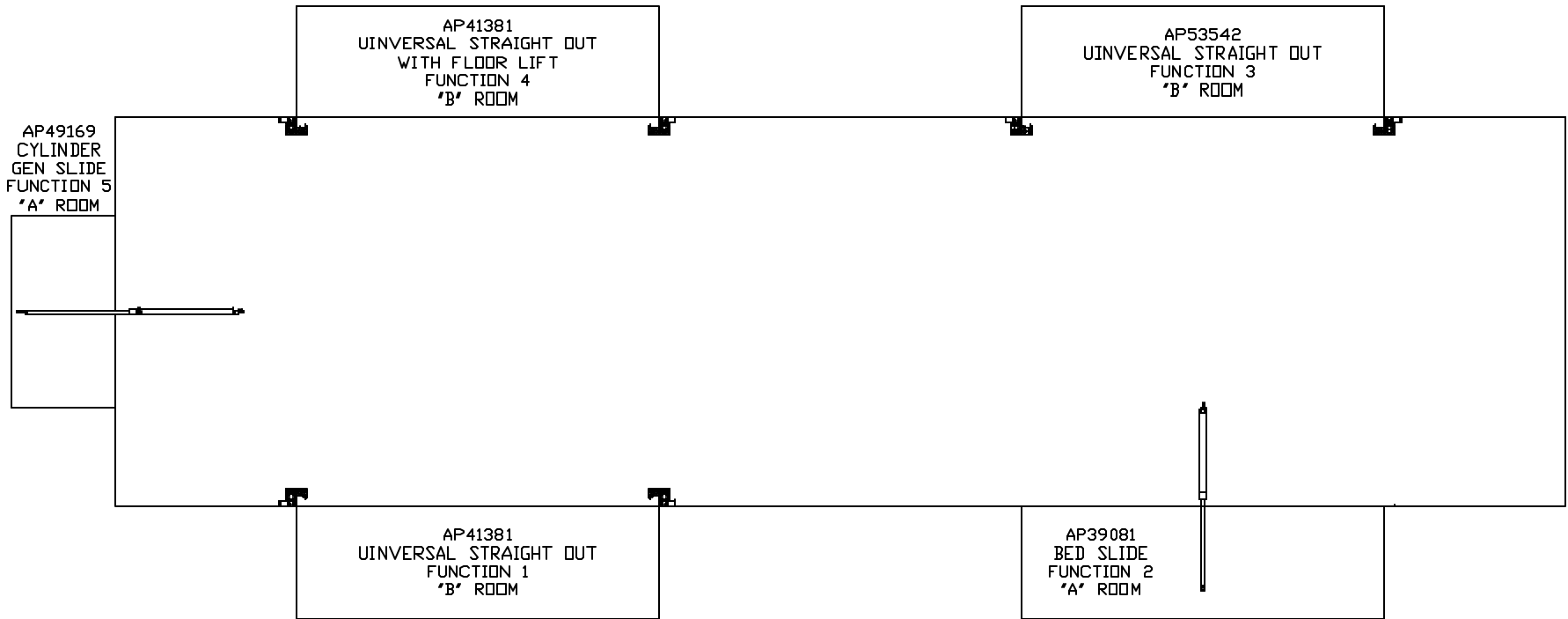


ORIENTATION  
 ← FRONT



NOTE: INSTALLATION MUST CONFORM TO GOOD SHOP PRACTICES, SAE STANDARDS, RVIA STANDARDS, AND OTHER APPLICABLE STANDARDS. LEVELING SYSTEM: AP5622L

			HWH I-80 EXIT 267 SOUTH RT 1 MOSCOW, IOWA 52760		
			SCALE 1:6	DATE 11JAN16	DRAWN BY .
			HYD CONN DIAGRAM		
NO.	DATE	REVISION			
THE INFORMATION DISCLOSED ON THIS DRAWING IS CONFIDENTIAL AND MUST NOT BE DISCLOSED OR USED IN ANY MANNER WHICH WILL BE DETRIMENTAL TO THE HWH CORPORATION			FORETRAVEL		DRAWING NUMBER MP70975 A/F

NOTE: HOSES (E) AND (F) ARE INCLUDED WITH THE ROOM EXTENSION MECHANISM

(A) HOSE ASSY 04  
PRESSURE

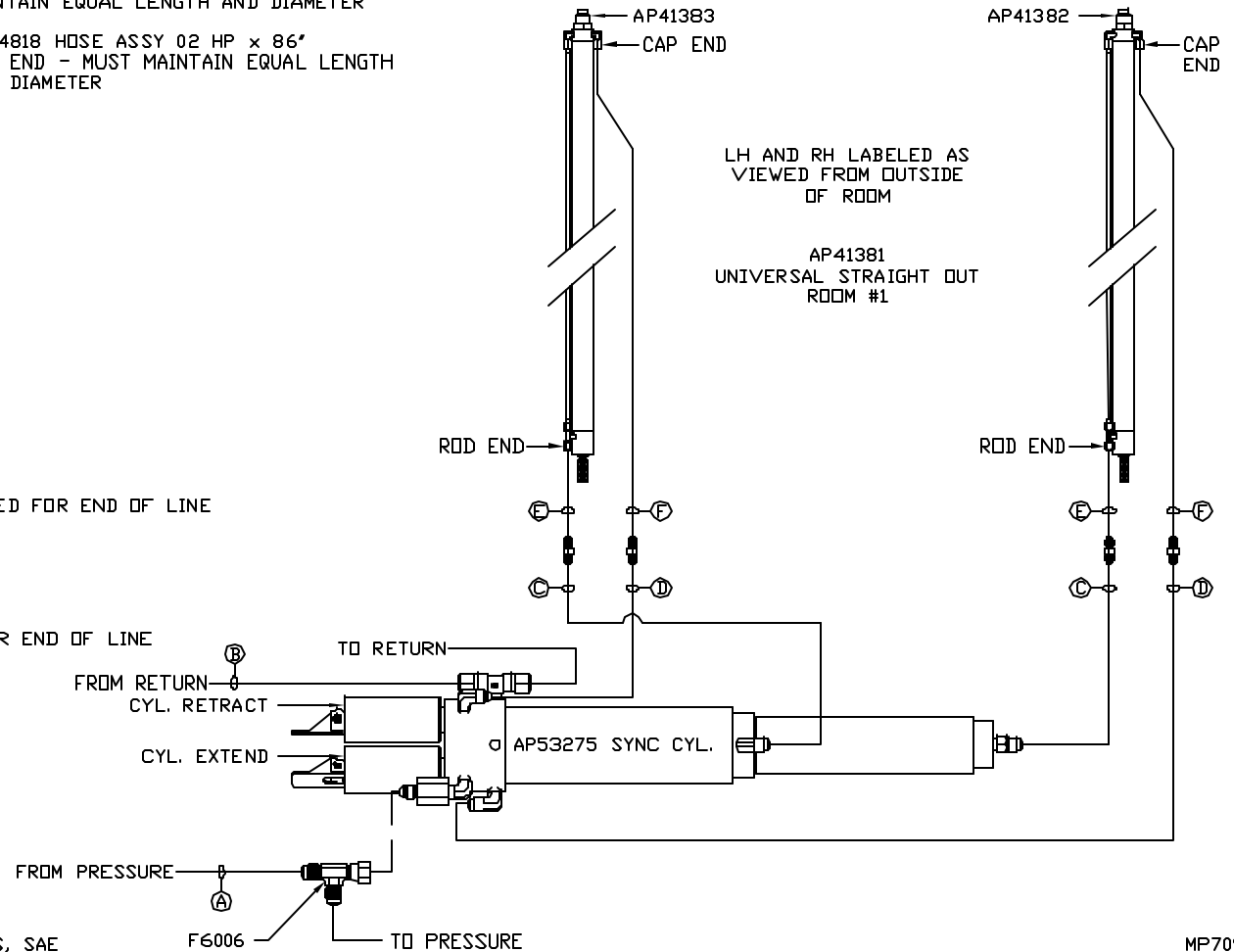
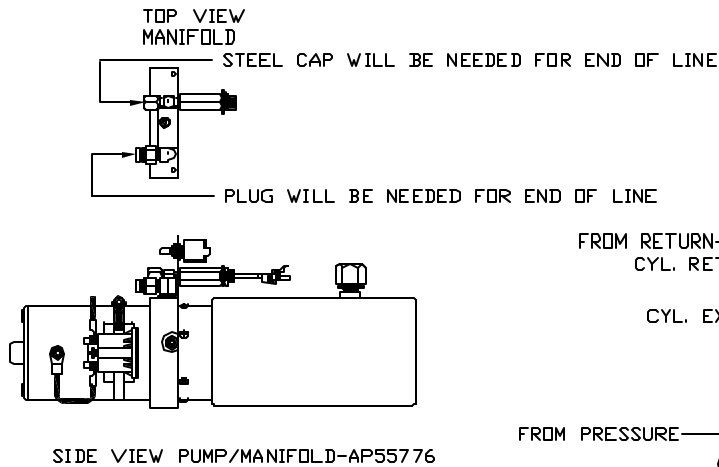
(B) .375" TUBING  
RETURN

(C) HOSE ASSY 03  
ROD END - ALWAYS PRESSURIZED - MUST  
MAINTAIN EQUAL LENGTH AND DIAMETER

(D) HOSE ASSY 03  
CAP END - MUST MAINTAIN EQUAL LENGTH  
AND DIAMETER

(E) AP24632 HOSE ASSY 02 HP x 48"  
ROD END - ALWAYS PRESSURIZED - MUST  
MAINTAIN EQUAL LENGTH AND DIAMETER

(F) AP24818 HOSE ASSY 02 HP x 86"  
CAP END - MUST MAINTAIN EQUAL LENGTH  
AND DIAMETER



NOTE: INSTALLATION MUST CONFORM TO GOOD SHOP PRACTICES, SAE STANDARDS, RVIA STANDARDS, AND OTHER APPLICABLE STANDARDS.

MP70975 B/F  
11JAN16

NOTE: HOSES ⑤, ⑥ AND ⑦ ARE INCLUDED WITH THE ROOM EXTENSION MECHANISM

① HOSE ASSY 04  
PRESSURE

② .375" TUBING  
RETURN

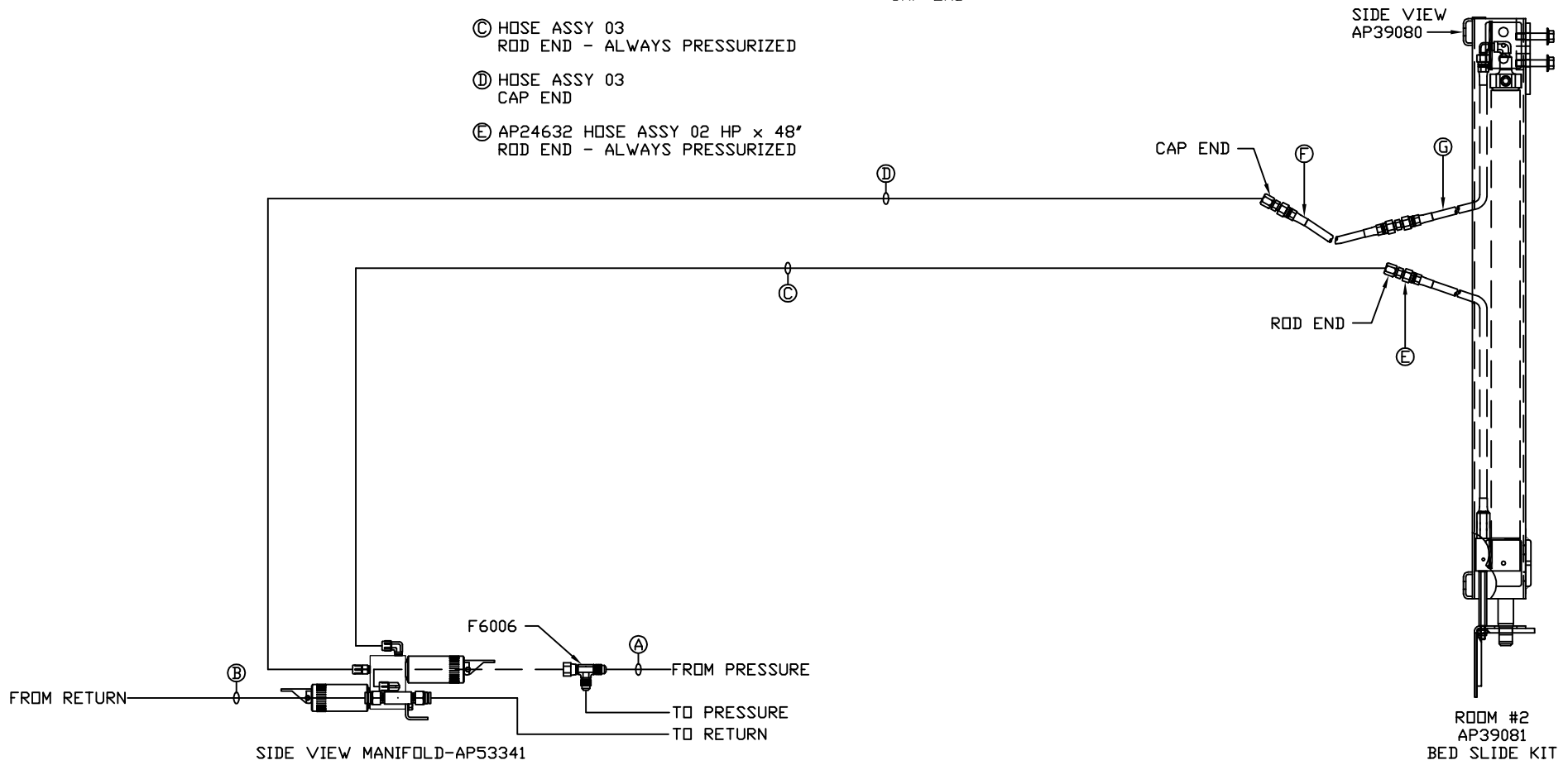
③ HOSE ASSY 03  
ROD END - ALWAYS PRESSURIZED

④ HOSE ASSY 03  
CAP END

⑤ AP24632 HOSE ASSY 02 HP x 48"  
ROD END - ALWAYS PRESSURIZED

⑥ AP24628 HOSE ASSY 02 HP x 24.25"  
CAP END

⑦ AP25677 HOSE ASSY 02 HP x 20"  
CAP END



NOTE: INSTALLATION MUST CONFORM TO GOOD SHOP PRACTICES, SAE STANDARDS, RVIA STANDARDS, AND OTHER APPLICABLE STANDARDS.

MP70975 C/F  
11JAN16

NOTE: HOSES (C) AND (F) ARE INCLUDED WITH THE ROOM EXTENSION MECHANISM

(A) HOSE ASSY 04  
PRESSURE

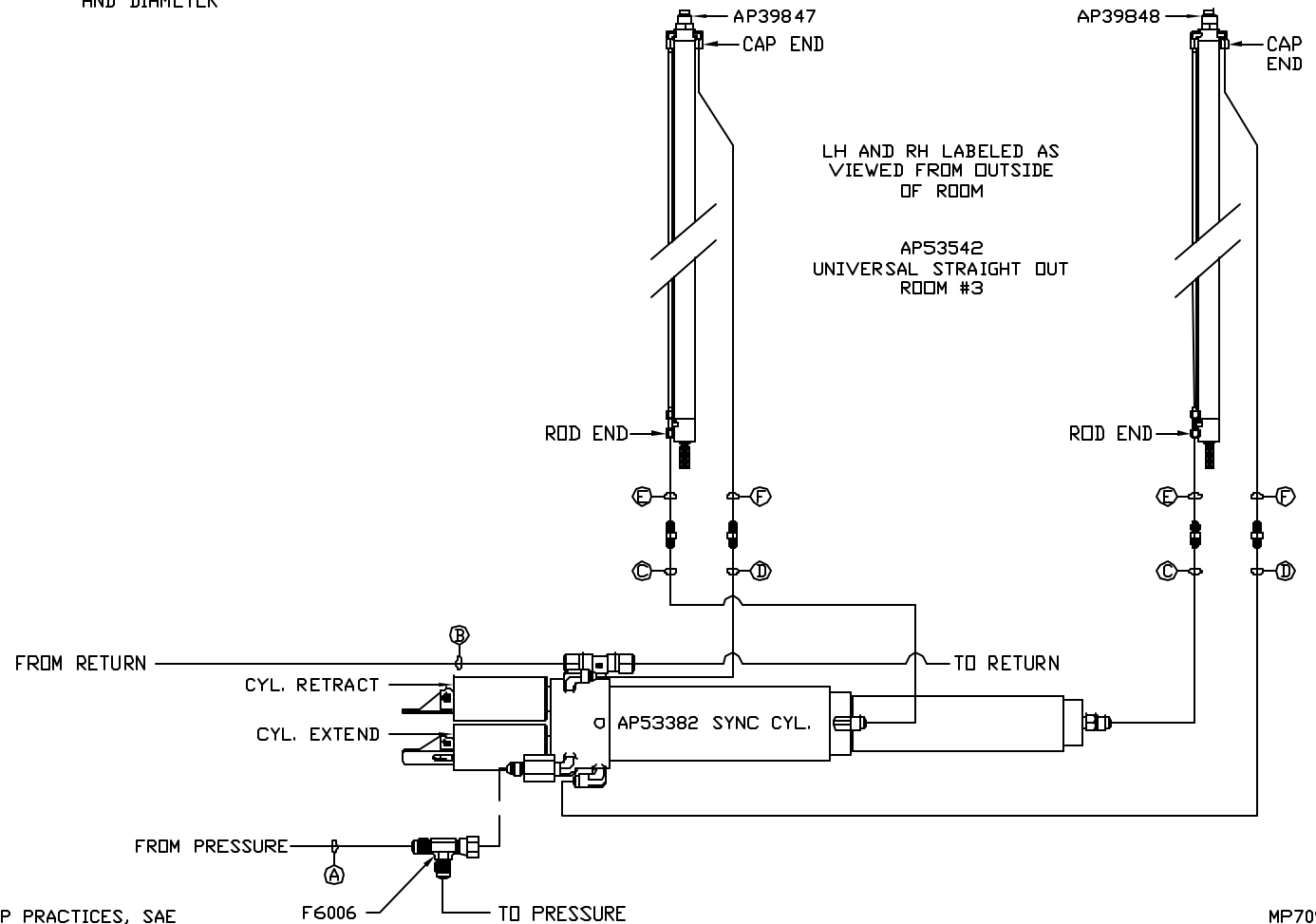
(B) .375" TUBING  
RETURN

(C) HOSE ASSY 03  
ROD END - ALWAYS PRESSURIZED - MUST  
MAINTAIN EQUAL LENGTH AND DIAMETER

(D) HOSE ASSY 03  
CAP END - MUST MAINTAIN EQUAL LENGTH  
AND DIAMETER

(E) AP24631 HOSE ASSY 02 HP x 42"  
ROD END - ALWAYS PRESSURIZED - MUST  
MAINTAIN EQUAL LENGTH AND DIAMETER

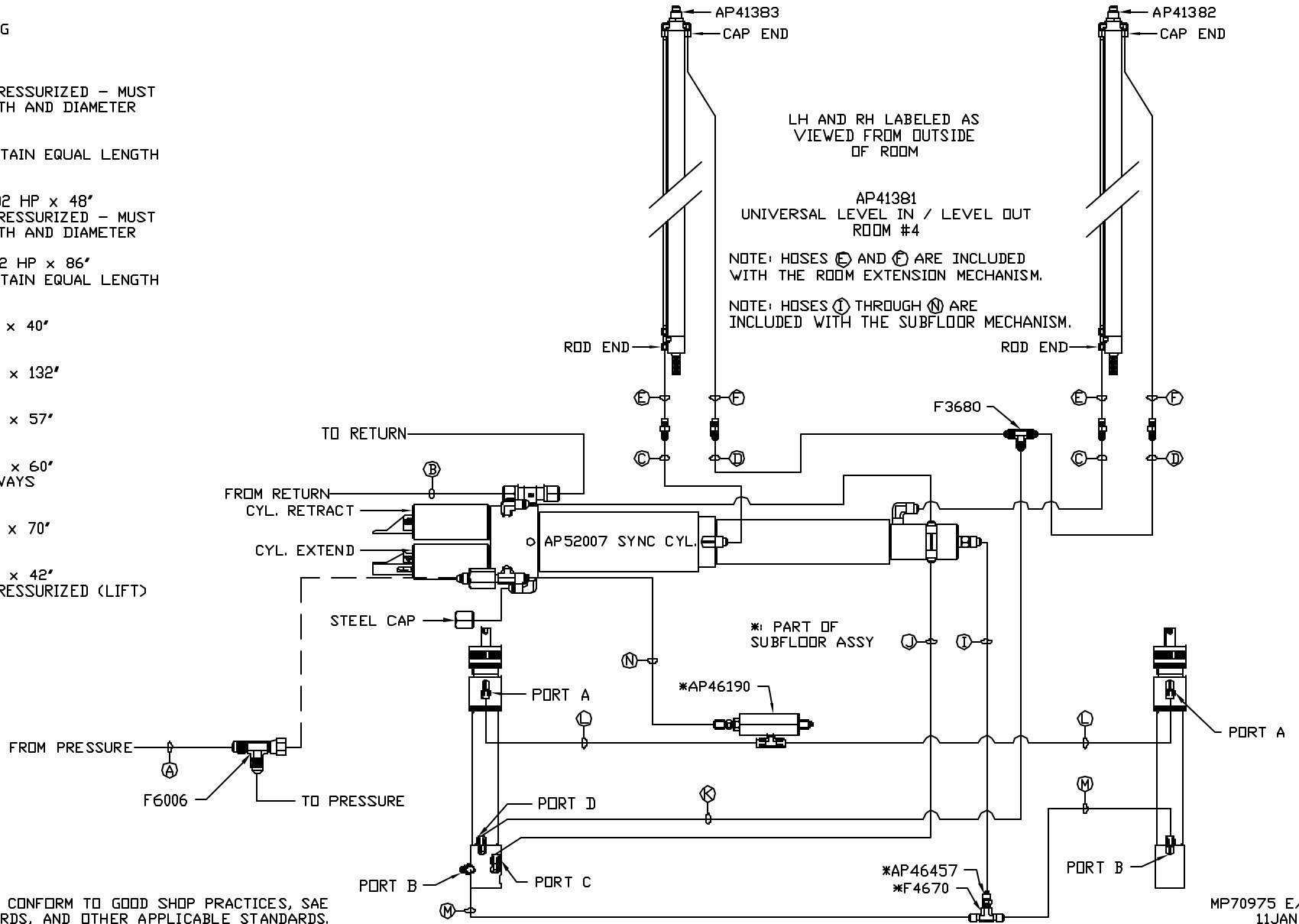
(F) AP24637 HOSE ASSY 02 HP x 66"  
CAP END - MUST MAINTAIN EQUAL LENGTH  
AND DIAMETER



NOTE: INSTALLATION MUST CONFORM TO GOOD SHOP PRACTICES, SAE STANDARDS, RVIA STANDARDS, AND OTHER APPLICABLE STANDARDS.

MP70975 D/F  
11JAN16

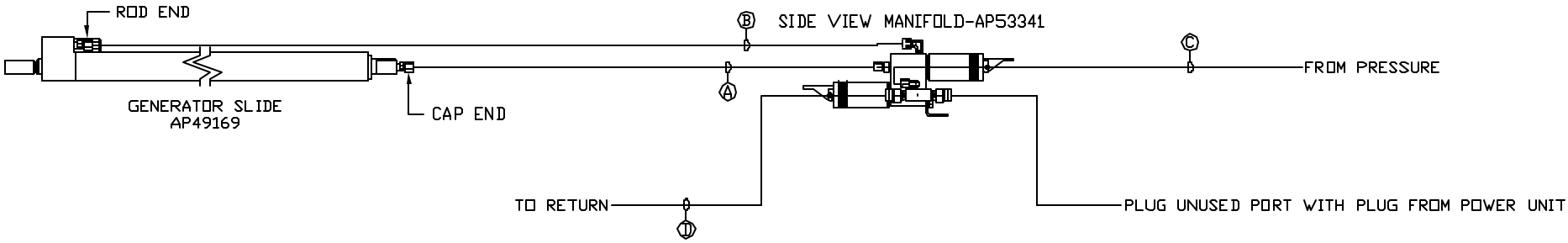
- Ⓐ HOSE ASSY 04  
PRESSURE
- Ⓑ .375" OD NYLON TUBING  
RETURN
- Ⓒ HOSE ASSY 03  
ROD END - ALWAYS PRESSURIZED - MUST  
MAINTAIN EQUAL LENGTH AND DIAMETER
- Ⓓ HOSE ASSY 03  
CAP END - MUST MAINTAIN EQUAL LENGTH  
AND DIAMETER
- Ⓔ AP24632 HOSE ASSY 02 HP x 48"  
ROD END - ALWAYS PRESSURIZED - MUST  
MAINTAIN EQUAL LENGTH AND DIAMETER
- Ⓕ AP24818 HOSE ASSY 02 HP x 86"  
CAP END - MUST MAINTAIN EQUAL LENGTH  
AND DIAMETER
- Ⓖ AP4218 HOSE ASSY 04 x 40"  
CAP END (LIFT)
- Ⓗ AP4062 HOSE ASSY 04 x 132"  
CAP END (LIFT)
- Ⓚ AP5350 HOSE ASSY 04 x 57"  
CAP END (ROOM)
- Ⓛ AP4073 HOSE ASSY 04 x 60"  
ROD END (LIFT) - ALWAYS  
PRESSURIZED
- Ⓜ AP7177 HOSE ASSY 04 x 70"  
CAP END (LIFT)
- Ⓝ AP4075 HOSE ASSY 04 x 42"  
ROD END - ALWAYS PRESSURIZED (LIFT)



NOTE: INSTALLATION MUST CONFORM TO GOOD SHOP PRACTICES, SAE STANDARDS, RVIA STANDARDS, AND OTHER APPLICABLE STANDARDS.

MP70975 E/F  
11JAN16

- Ⓐ HOSE ASSY 03  
CAP END
- Ⓑ HOSE ASSY 03  
ROD END - ALWAYS PRESSURIZED
- Ⓒ HOSE ASSY 04  
PRESSURE
- Ⓓ .375" TUBING  
RETURN



NOTE: INSTALLATION MUST CONFORM TO GOOD SHOP PRACTICES, SAE STANDARDS, RVIA STANDARDS, AND OTHER APPLICABLE STANDARDS.

MP70975 F/F  
11JAN16