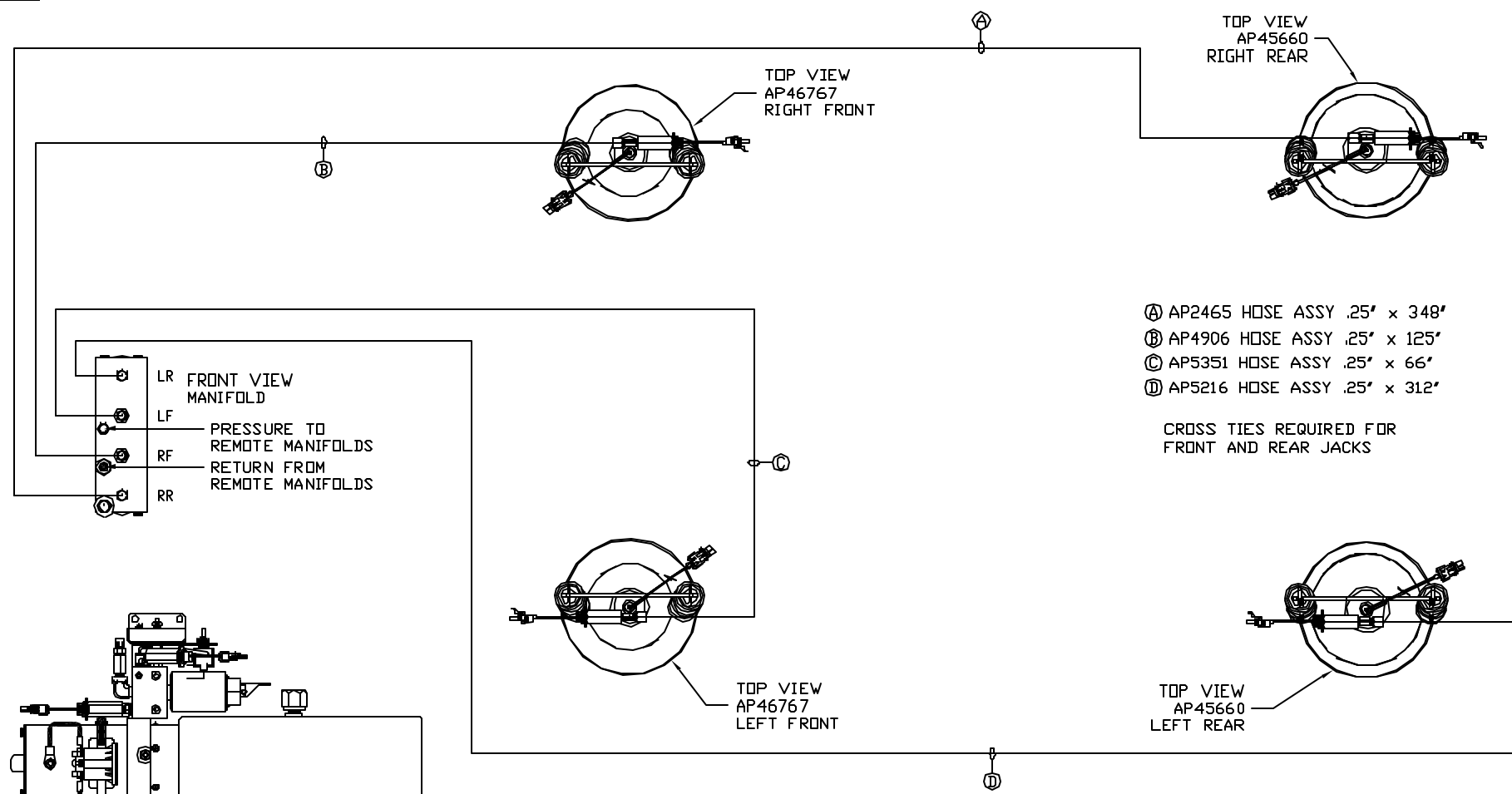
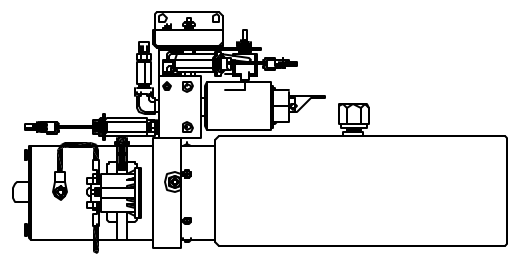


ORIENTATION
 ← FRONT



- Ⓐ AP2465 HOSE ASSY .25' x 348'
- Ⓑ AP4906 HOSE ASSY .25' x 125'
- Ⓒ AP5351 HOSE ASSY .25' x 66'
- Ⓓ AP5216 HOSE ASSY .25' x 312'

CROSS TIES REQUIRED FOR FRONT AND REAR JACKS



SIDE VIEW PUMP/MANIFOLD-AP55728

LOCATION AND ORIENTATION OF PUMP/MANIFOLD ASSEMBLY WILL DIFFER DEPENDING UPON O.E.M.

NOTE: INSTALLATION MUST CONFORM TO GOOD SHOP PRACTICES, SAE STANDARDS, RVIA STANDARDS, AND OTHER APPLICABLE STANDARDS.

LEVELING SYSTEM: AP55830

NO.	DATE	REVISION

HWH I-80 EXIT 267 SOUTH
 RT 1 MOSCOW, IOWA 52760

SCALE 1:6 DATE 08DEC15 DRAWN BY .

HYD CONN DIAGRAM

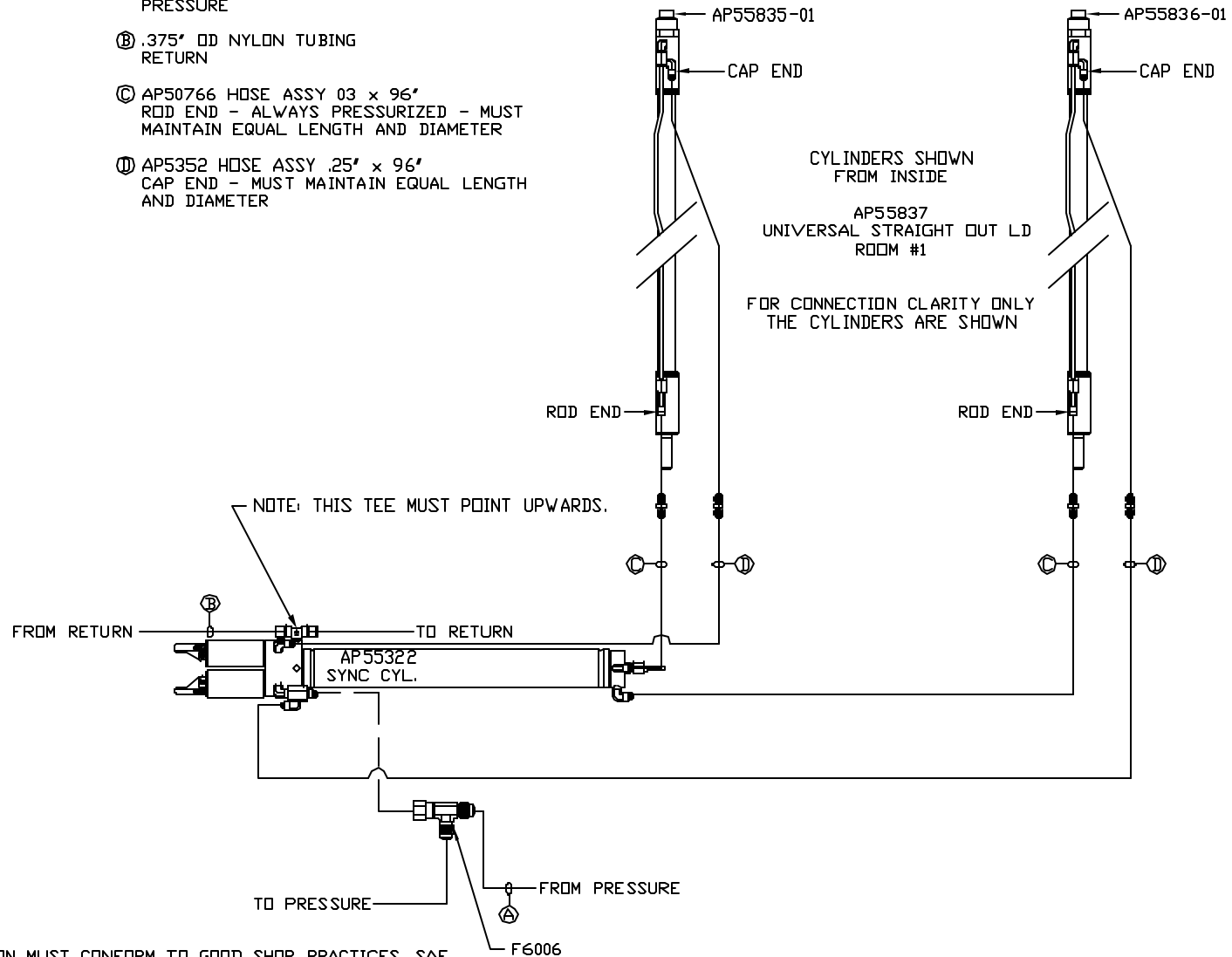
THE INFORMATION DISCLOSED ON THIS DRAWING IS CONFIDENTIAL AND MUST NOT BE DISCLOSED OR USED IN ANY MANNER WHICH WILL BE DETRIMENTAL TO THE HWH CORPORATION

FORETRAVEL

DRAWING NUMBER
 MP70955 A/C

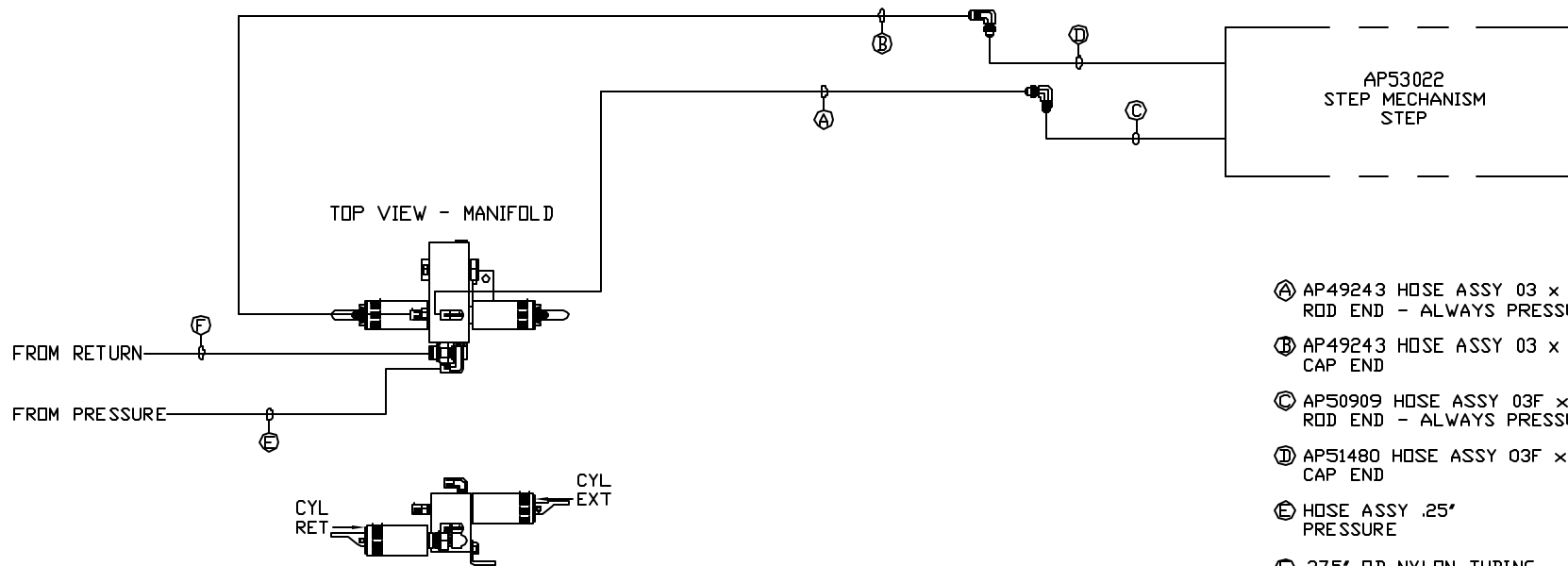
AP55700 HOSE KIT 1RM/STEP

- Ⓐ AP6116 HOSE ASSY .25' x 240'
PRESSURE
- Ⓑ .375" OD NYLON TUBING
RETURN
- Ⓒ AP50766 HOSE ASSY 03 x 96"
ROD END - ALWAYS PRESSURIZED - MUST
MAINTAIN EQUAL LENGTH AND DIAMETER
- Ⓓ AP5352 HOSE ASSY .25' x 96"
CAP END - MUST MAINTAIN EQUAL LENGTH
AND DIAMETER



NOTE: INSTALLATION MUST CONFORM TO GOOD SHOP PRACTICES, SAE STANDARDS, RVIA STANDARDS, AND OTHER APPLICABLE STANDARDS.

MP70955 B/C
08DEC15

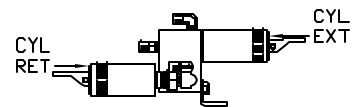


TOP VIEW - MANIFOLD

AP53022
STEP MECHANISM
STEP

FROM RETURN

FROM PRESSURE



SIDE VIEW MANIFOLD-AP53283
LOCATION AND ORIENTATION OF
PUMP/MANIFOLD ASSEMBLY WILL
DIFFER DEPENDING UPON O.E.M.

- Ⓐ AP49243 HOSE ASSY 03 x 60'
ROD END - ALWAYS PRESSURIZED
- Ⓑ AP49243 HOSE ASSY 03 x 60'
CAP END
- Ⓒ AP50909 HOSE ASSY 03F x 72'
ROD END - ALWAYS PRESSURIZED
- Ⓓ AP51480 HOSE ASSY 03F x 66'
CAP END
- Ⓔ HOSE ASSY .25"
PRESSURE
- Ⓕ .375" OD NYLON TUBING
RETURN

NOTE: INSTALLATION MUST CONFORM TO GOOD SHOP PRACTICES, SAE STANDARDS, RVIA STANDARDS, AND OTHER APPLICABLE STANDARDS.

MP70955 C/C
08DEC15