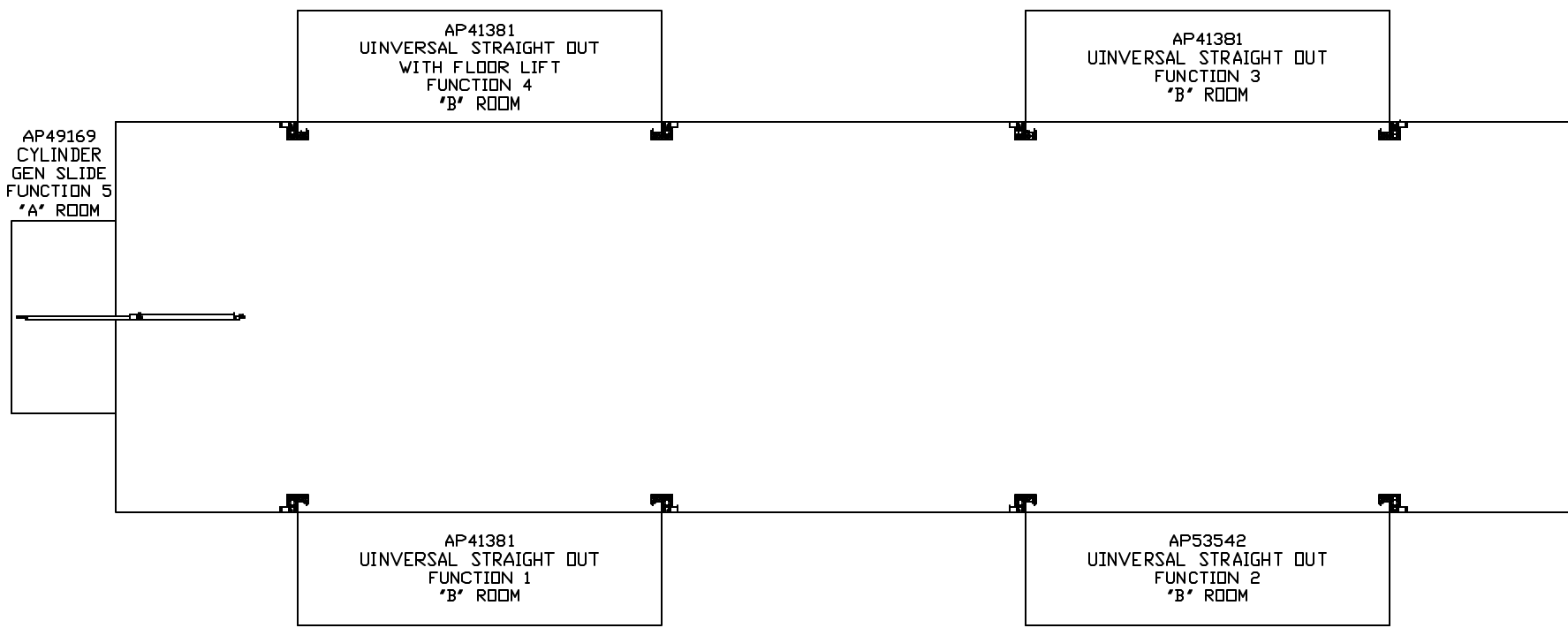


ORIENTATION  
 ← FRONT



NOTE: INSTALLATION MUST CONFORM TO GOOD SHOP PRACTICES, SAE STANDARDS, RVIA STANDARDS, AND OTHER APPLICABLE STANDARDS. LEVELING SYSTEM: AP55737

		HWH		I-80 EXIT 267 SOUTH RT 1 MOSCOW, IOWA 52760	
		SCALE 1:6	DATE 09DEC15	DRAWN BY .	
		HYD CONN DIAGRAM			
NO.	DATE	REVISION			
		FORETRAVEL		DRAWING NUMBER MP70953 A/F	
THE INFORMATION DISCLOSED ON THIS DRAWING IS CONFIDENTIAL AND MUST NOT BE DISCLOSED OR USED IN ANY MANNER WHICH WILL BE DETRIMENTAL TO THE HWH CORPORATION					

NOTE: HOSES (E) AND (F) ARE INCLUDED WITH THE ROOM EXTENSION MECHANISM

(A) HOSE ASSY 04  
PRESSURE

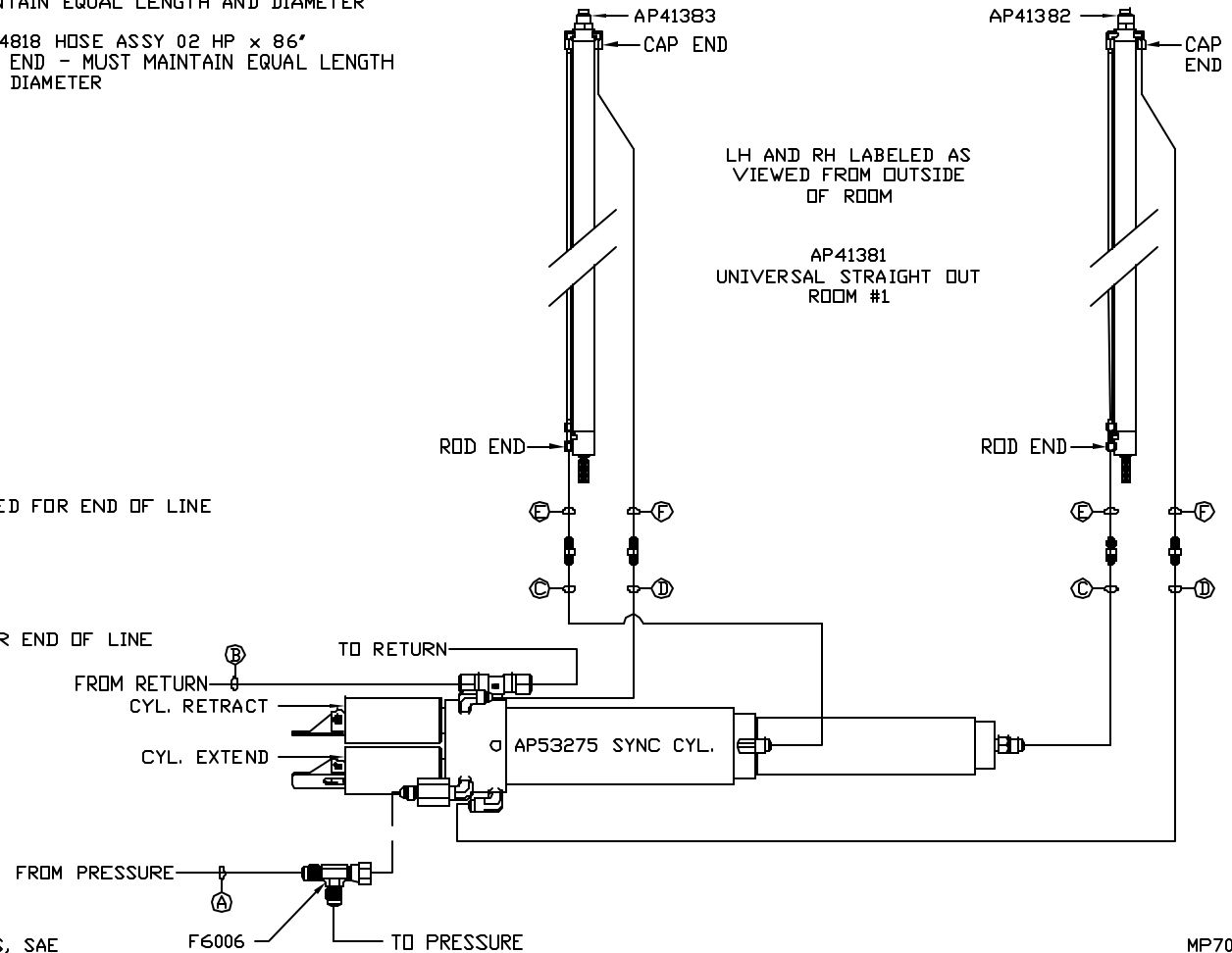
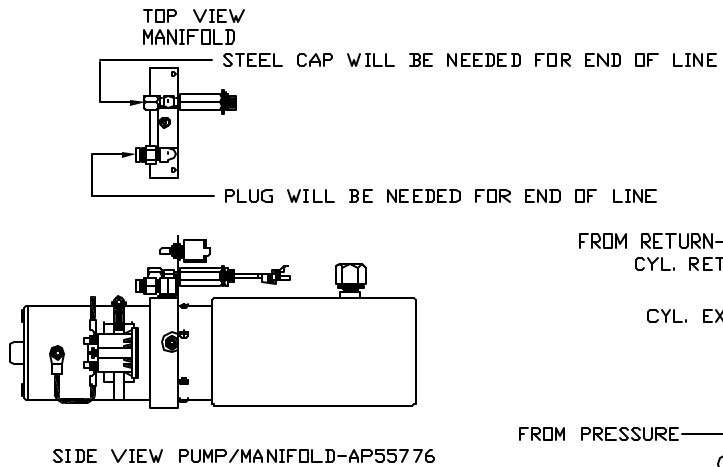
(B) .375" TUBING  
RETURN

(C) HOSE ASSY 03  
ROD END - ALWAYS PRESSURIZED - MUST  
MAINTAIN EQUAL LENGTH AND DIAMETER

(D) HOSE ASSY 03  
CAP END - MUST MAINTAIN EQUAL LENGTH  
AND DIAMETER

(E) AP24632 HOSE ASSY 02 HP x 48"  
ROD END - ALWAYS PRESSURIZED - MUST  
MAINTAIN EQUAL LENGTH AND DIAMETER

(F) AP24818 HOSE ASSY 02 HP x 86"  
CAP END - MUST MAINTAIN EQUAL LENGTH  
AND DIAMETER



NOTE: INSTALLATION MUST CONFORM TO GOOD SHOP PRACTICES, SAE STANDARDS, RVIA STANDARDS, AND OTHER APPLICABLE STANDARDS.

MP70953 B/F  
09DEC15

NOTE: HOSES (C) AND (F) ARE INCLUDED WITH THE ROOM EXTENSION MECHANISM

(A) HOSE ASSY 04  
PRESSURE

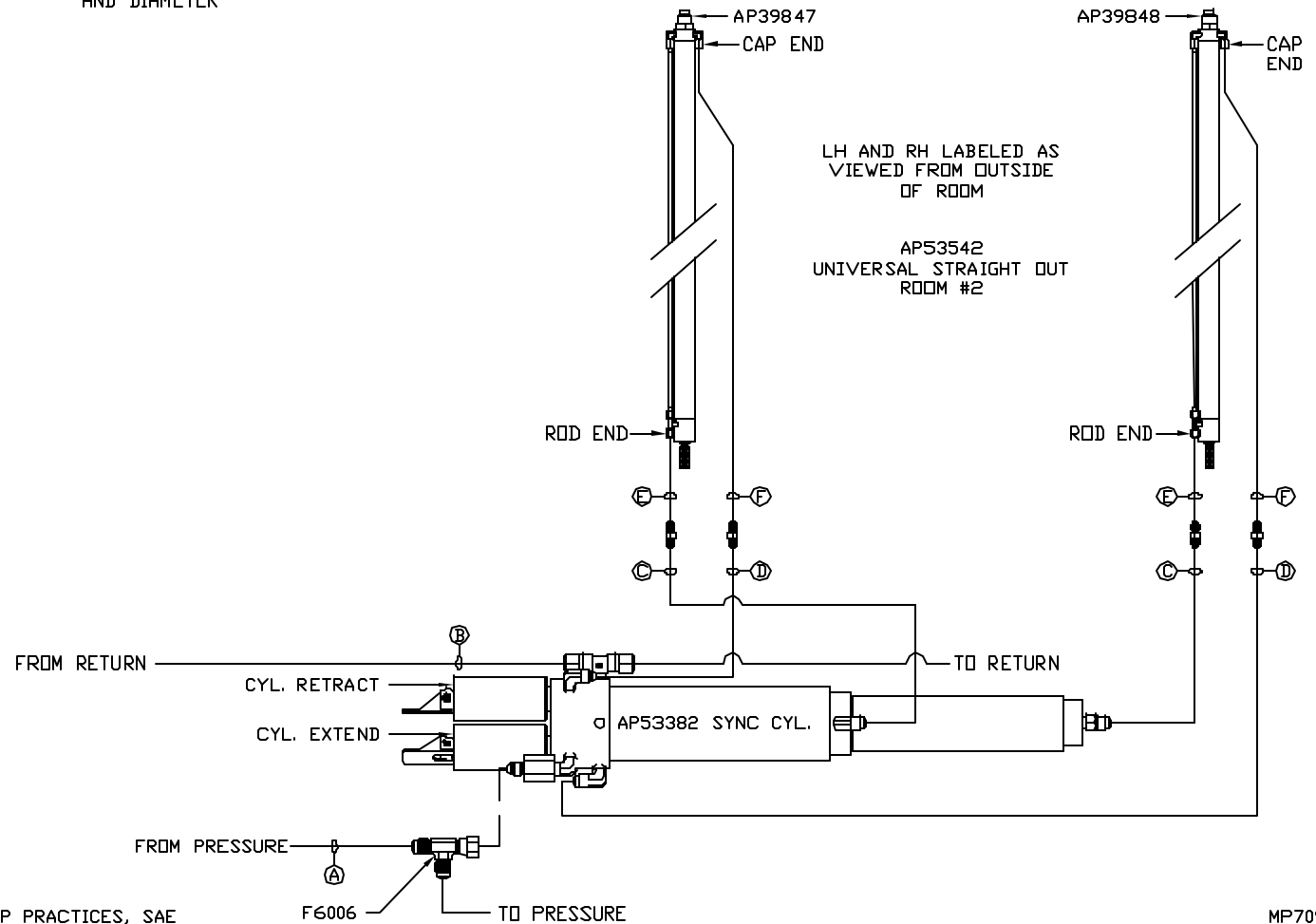
(B) .375" TUBING  
RETURN

(C) HOSE ASSY 03  
ROD END - ALWAYS PRESSURIZED - MUST  
MAINTAIN EQUAL LENGTH AND DIAMETER

(D) HOSE ASSY 03  
CAP END - MUST MAINTAIN EQUAL LENGTH  
AND DIAMETER

(E) AP24631 HOSE ASSY 02 HP x 42"  
ROD END - ALWAYS PRESSURIZED - MUST  
MAINTAIN EQUAL LENGTH AND DIAMETER

(F) AP24637 HOSE ASSY 02 HP x 66"  
CAP END - MUST MAINTAIN EQUAL LENGTH  
AND DIAMETER



NOTE: INSTALLATION MUST CONFORM TO GOOD SHOP PRACTICES, SAE STANDARDS, RVIA STANDARDS, AND OTHER APPLICABLE STANDARDS.

MP70953 C/F  
09DEC15

NOTE: HOSES (E) AND (F) ARE INCLUDED WITH THE ROOM EXTENSION MECHANISM

(A) HOSE ASSY 04  
PRESSURE

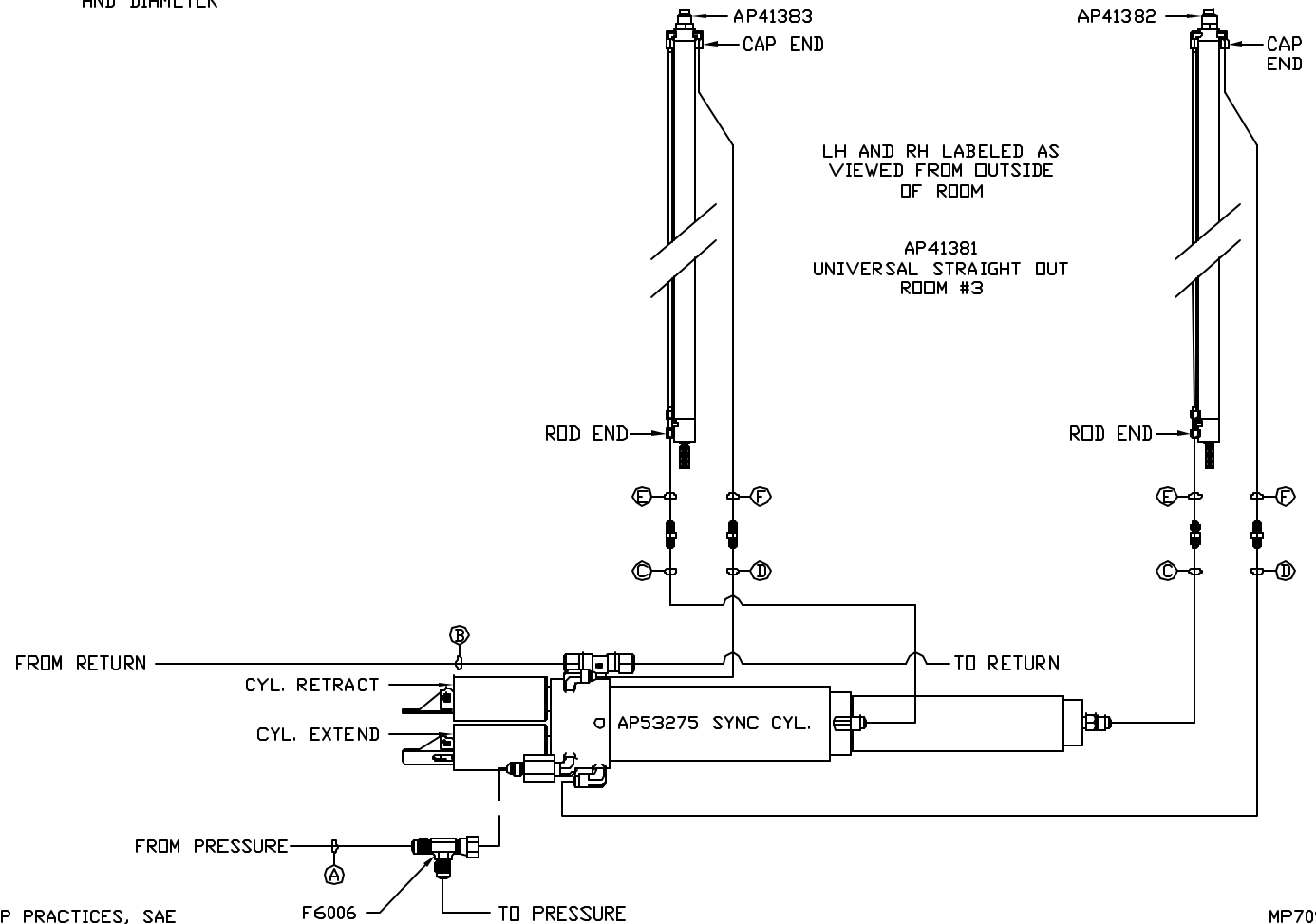
(B) .375" TUBING  
RETURN

(C) HOSE ASSY 03  
ROD END - ALWAYS PRESSURIZED - MUST  
MAINTAIN EQUAL LENGTH AND DIAMETER

(D) HOSE ASSY 03  
CAP END - MUST MAINTAIN EQUAL LENGTH  
AND DIAMETER

(E) AP24632 HOSE ASSY 02 HP x 48"  
ROD END - ALWAYS PRESSURIZED - MUST  
MAINTAIN EQUAL LENGTH AND DIAMETER

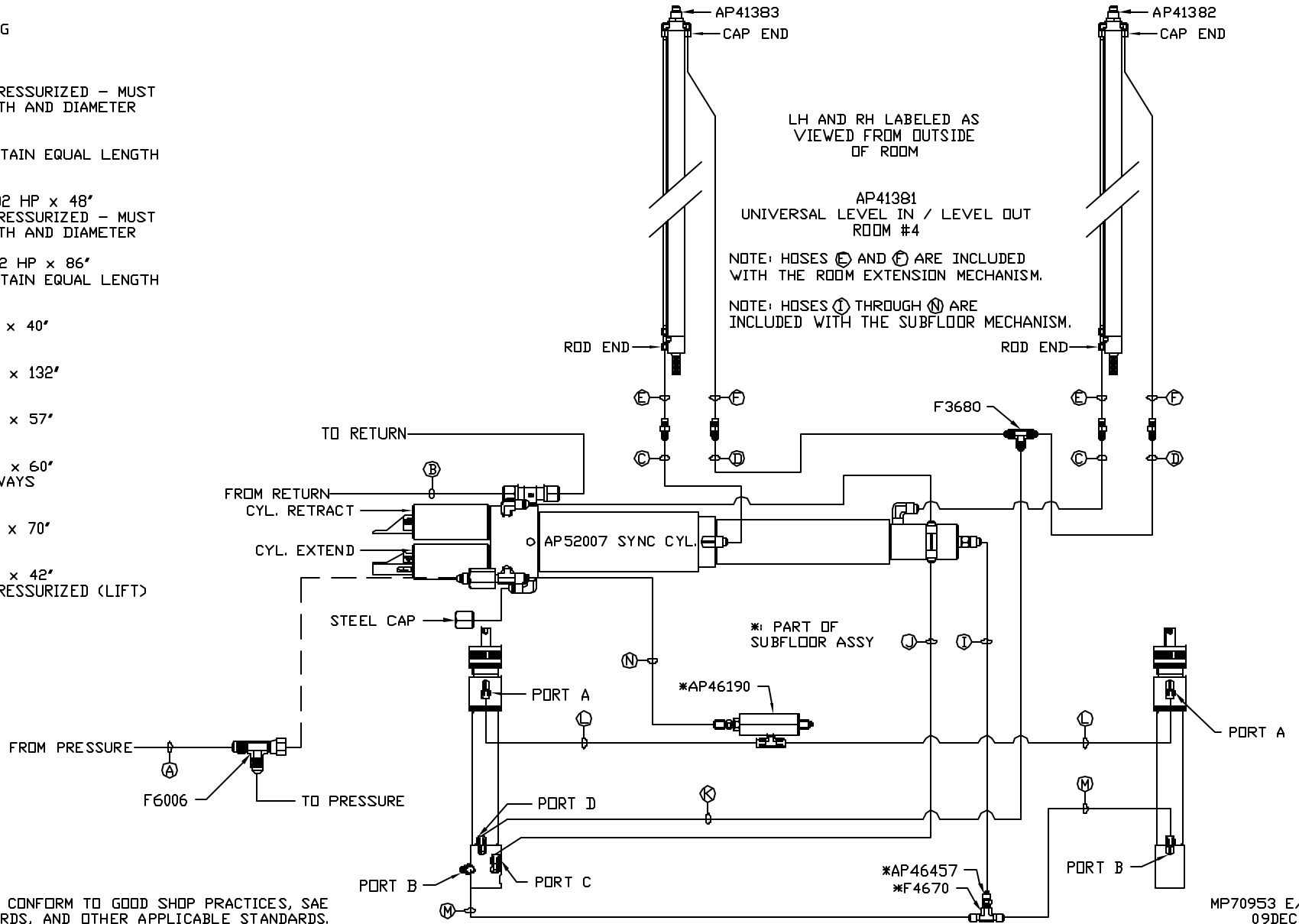
(F) AP24818 HOSE ASSY 02 HP x 86"  
CAP END - MUST MAINTAIN EQUAL LENGTH  
AND DIAMETER



NOTE: INSTALLATION MUST CONFORM TO GOOD SHOP PRACTICES, SAE STANDARDS, RVIA STANDARDS, AND OTHER APPLICABLE STANDARDS.

MP70953 D/F  
09DEC15

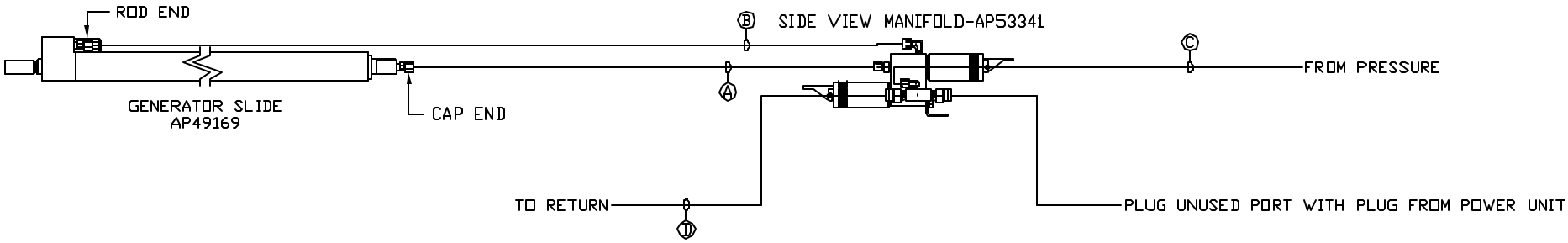
- Ⓐ HOSE ASSY 04  
PRESSURE
- Ⓑ .375" OD NYLON TUBING  
RETURN
- Ⓒ HOSE ASSY 03  
ROD END - ALWAYS PRESSURIZED - MUST  
MAINTAIN EQUAL LENGTH AND DIAMETER
- Ⓓ HOSE ASSY 03  
CAP END - MUST MAINTAIN EQUAL LENGTH  
AND DIAMETER
- Ⓔ AP24632 HOSE ASSY 02 HP x 48"  
ROD END - ALWAYS PRESSURIZED - MUST  
MAINTAIN EQUAL LENGTH AND DIAMETER
- Ⓕ AP24818 HOSE ASSY 02 HP x 86"  
CAP END - MUST MAINTAIN EQUAL LENGTH  
AND DIAMETER
- Ⓖ AP4218 HOSE ASSY 04 x 40"  
CAP END (LIFT)
- Ⓗ AP4062 HOSE ASSY 04 x 132"  
CAP END (LIFT)
- Ⓚ AP5350 HOSE ASSY 04 x 57"  
CAP END (ROOM)
- Ⓛ AP4073 HOSE ASSY 04 x 60"  
ROD END (LIFT) - ALWAYS  
PRESSURIZED
- Ⓜ AP7177 HOSE ASSY 04 x 70"  
CAP END (LIFT)
- Ⓝ AP4075 HOSE ASSY 04 x 42"  
ROD END - ALWAYS PRESSURIZED (LIFT)



NOTE: INSTALLATION MUST CONFORM TO GOOD SHOP PRACTICES, SAE STANDARDS, RVIA STANDARDS, AND OTHER APPLICABLE STANDARDS.

MP70953 E/F  
09DEC15

- Ⓐ HOSE ASSY 03  
CAP END
- Ⓑ HOSE ASSY 03  
ROD END - ALWAYS PRESSURIZED
- Ⓒ HOSE ASSY 04  
PRESSURE
- Ⓓ .375" TUBING  
RETURN



NOTE: INSTALLATION MUST CONFORM TO GOOD SHOP PRACTICES, SAE STANDARDS, RVIA STANDARDS, AND OTHER APPLICABLE STANDARDS.

MP70953 F/F  
09DEC15