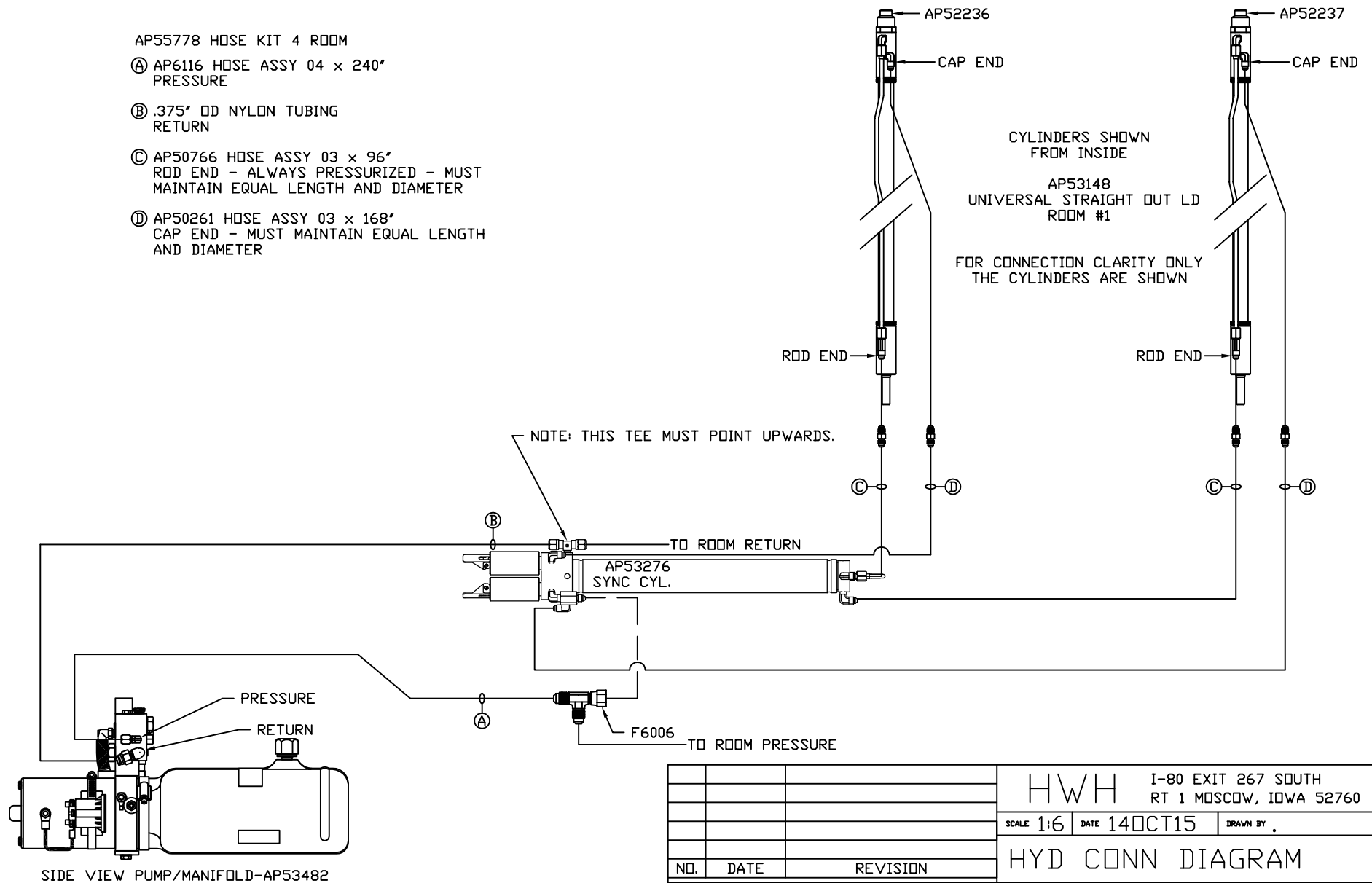


AP55778 HOSE KIT 4 ROOM

- Ⓐ AP6116 HOSE ASSY 04 x 240" PRESSURE
- Ⓑ .375" OD NYLON TUBING RETURN
- Ⓒ AP50766 HOSE ASSY 03 x 96" ROD END - ALWAYS PRESSURIZED - MUST MAINTAIN EQUAL LENGTH AND DIAMETER
- Ⓓ AP50261 HOSE ASSY 03 x 168" CAP END - MUST MAINTAIN EQUAL LENGTH AND DIAMETER

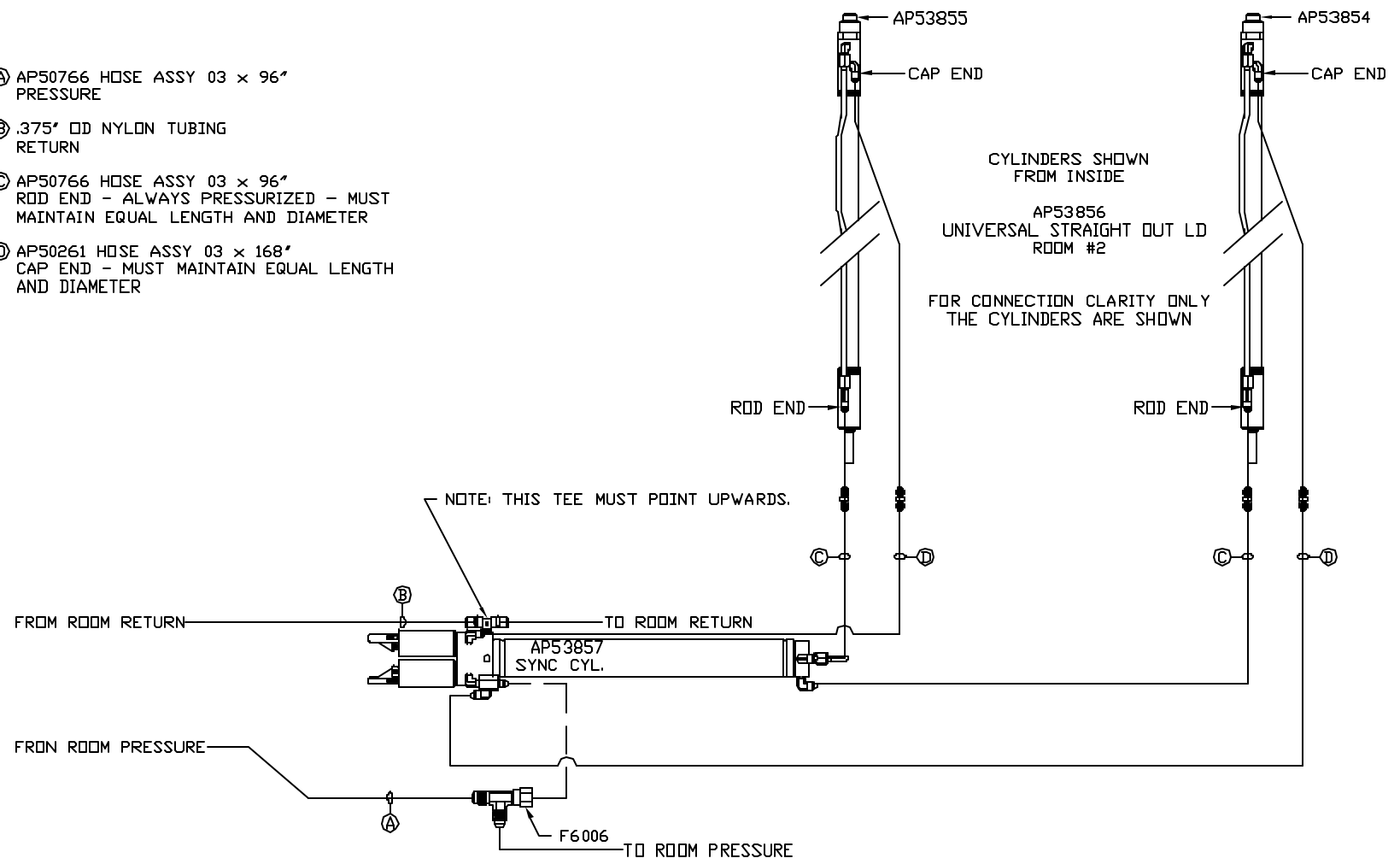


NOTE: INSTALLATION MUST CONFORM TO GOOD SHOP PRACTICES, SAE STANDARDS, RVIA STANDARDS, AND OTHER APPLICABLE STANDARDS.

RETROFIT KIT: AP55775

		HWH		I-80 EXIT 267 SOUTH RT 1 MOSCOW, IOWA 52760	
		SCALE 1:6	DATE 14OCT15	DRAWN BY .	
		HYD CONN DIAGRAM			
NO.	DATE	REVISION			
		THE INFORMATION DISCLOSED ON THIS DRAWING IS CONFIDENTIAL AND MUST NOT BE DISCLOSED OR USED IN ANY MANNER WHICH WILL BE DETRIMENTAL TO THE HWH CORPORATION			
		MSV		DRAWING NUMBER MP70906 A/D	

- Ⓐ AP50766 HOSE ASSY 03 × 96"  
PRESSURE
- Ⓑ .375" OD NYLON TUBING  
RETURN
- Ⓒ AP50766 HOSE ASSY 03 × 96"  
ROD END - ALWAYS PRESSURIZED - MUST  
MAINTAIN EQUAL LENGTH AND DIAMETER
- Ⓓ AP50261 HOSE ASSY 03 × 168"  
CAP END - MUST MAINTAIN EQUAL LENGTH  
AND DIAMETER



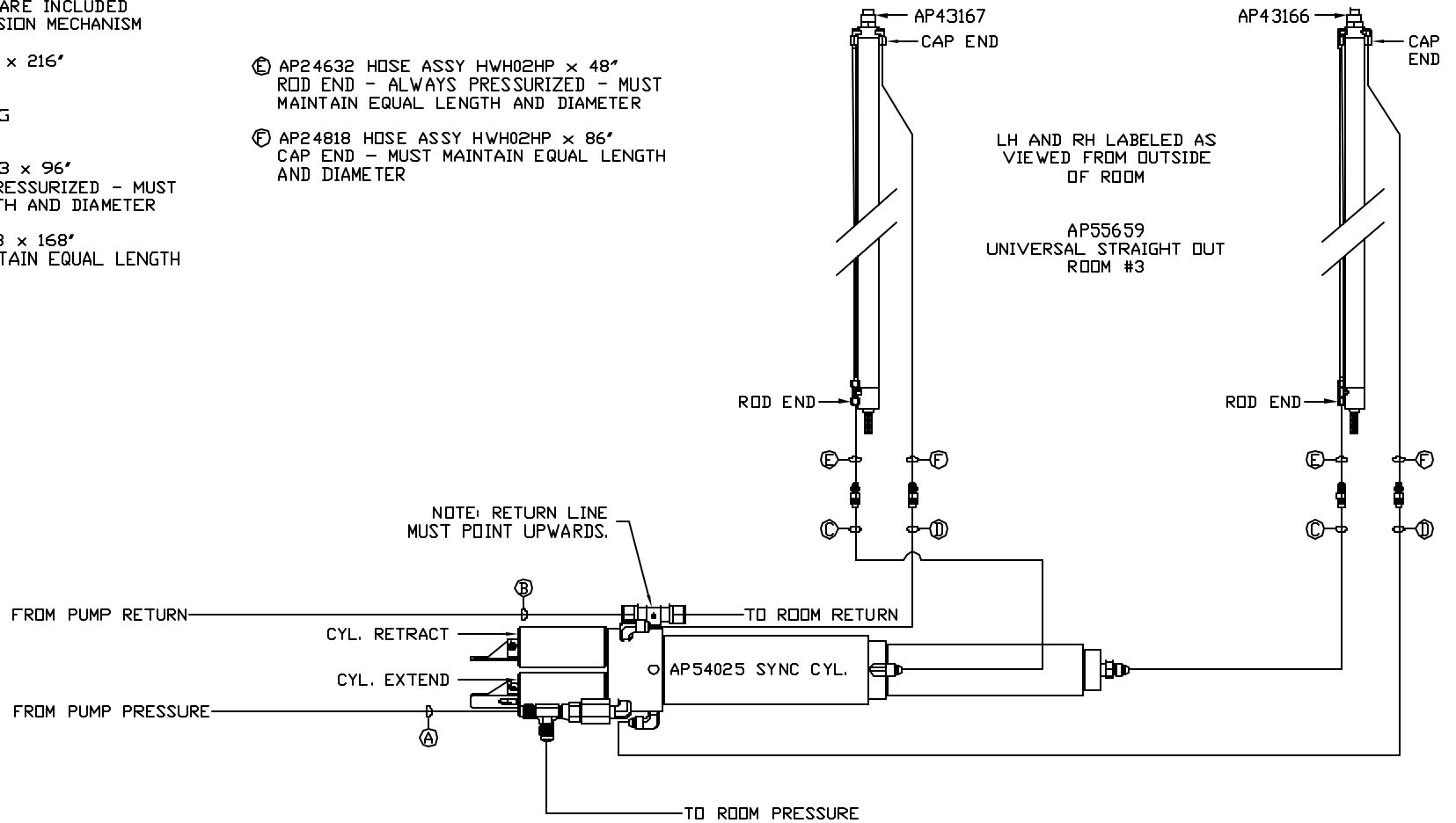
NOTE: INSTALLATION MUST CONFORM TO GOOD SHOP PRACTICES, SAE STANDARDS, RVIA STANDARDS, AND OTHER APPLICABLE STANDARDS.

MP70906 B/D  
14OCT15

NOTE: HOSES (C) AND (D) ARE INCLUDED WITH THE ROOM EXTENSION MECHANISM

- (A) AP4061 HOSE ASSY 04 x 216' PRESSURE
- (B) .375" OD NYLON TUBING RETURN
- (C) AP50766 HOSE ASSY 03 x 96' ROD END - ALWAYS PRESSURIZED - MUST MAINTAIN EQUAL LENGTH AND DIAMETER
- (D) AP50261 HOSE ASSY 03 x 168' CAP END - MUST MAINTAIN EQUAL LENGTH AND DIAMETER

- (E) AP24632 HOSE ASSY HWH02HP x 48' ROD END - ALWAYS PRESSURIZED - MUST MAINTAIN EQUAL LENGTH AND DIAMETER
- (F) AP24818 HOSE ASSY HWH02HP x 86' CAP END - MUST MAINTAIN EQUAL LENGTH AND DIAMETER



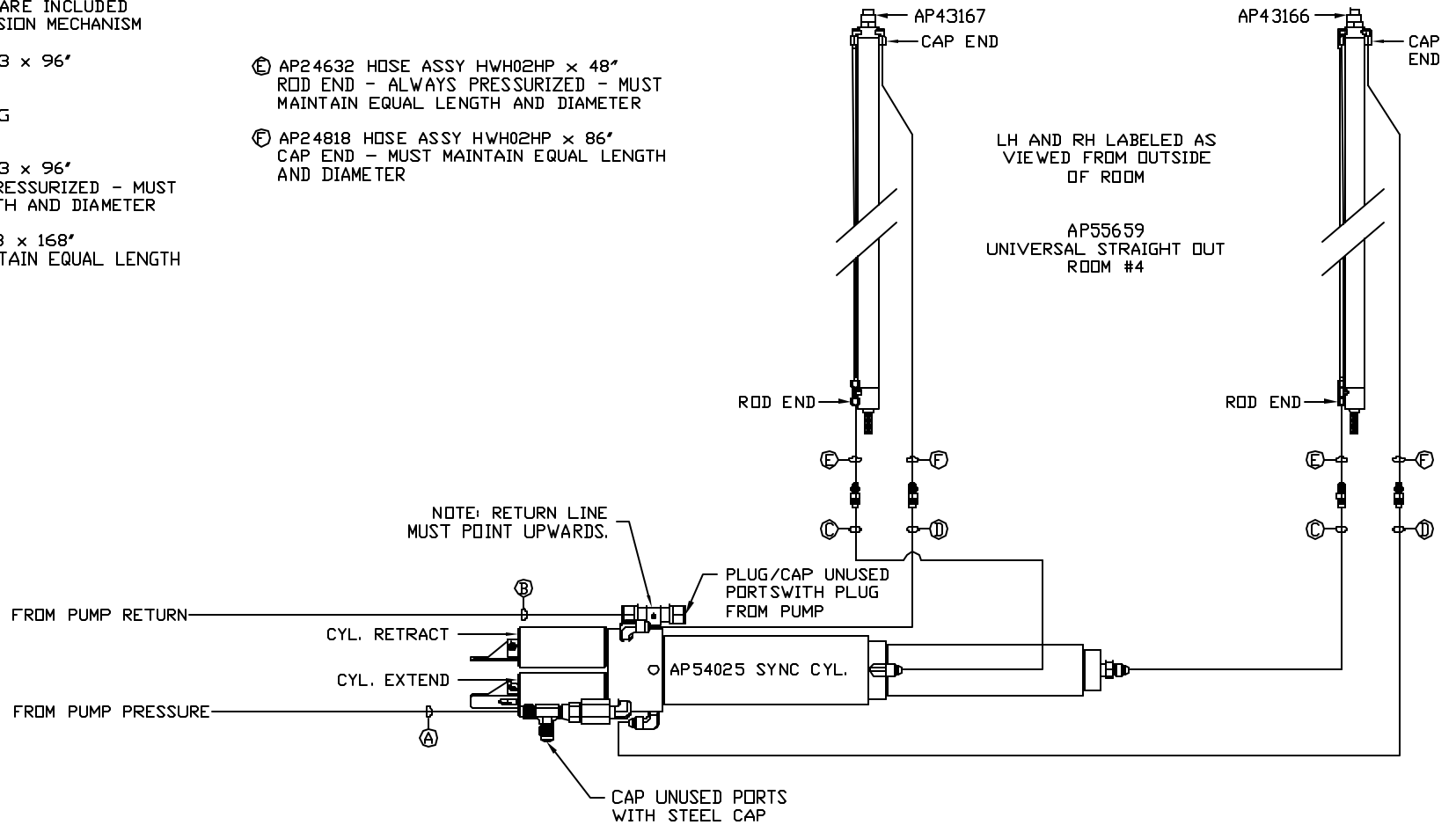
NOTE: INSTALLATION MUST CONFORM TO GOOD SHOP PRACTICES, SAE STANDARDS, RVIA STANDARDS, AND OTHER APPLICABLE STANDARDS.

MP70906 C/D  
14OCT15

NOTE: HOSES (C) AND (D) ARE INCLUDED WITH THE ROOM EXTENSION MECHANISM

- (A) AP50766 HOSE ASSY 03 x 96' PRESSURE
- (B) .375" OD NYLON TUBING RETURN
- (C) AP50766 HOSE ASSY 03 x 96' ROD END - ALWAYS PRESSURIZED - MUST MAINTAIN EQUAL LENGTH AND DIAMETER
- (D) AP50261 HOSE ASSY 03 x 168' CAP END - MUST MAINTAIN EQUAL LENGTH AND DIAMETER

- (E) AP24632 HOSE ASSY HWH02HP x 48' ROD END - ALWAYS PRESSURIZED - MUST MAINTAIN EQUAL LENGTH AND DIAMETER
- (F) AP24818 HOSE ASSY HWH02HP x 86' CAP END - MUST MAINTAIN EQUAL LENGTH AND DIAMETER



NOTE: INSTALLATION MUST CONFORM TO GOOD SHOP PRACTICES, SAE STANDARDS, RVIA STANDARDS, AND OTHER APPLICABLE STANDARDS.

MP70906 D/D  
14OCT15