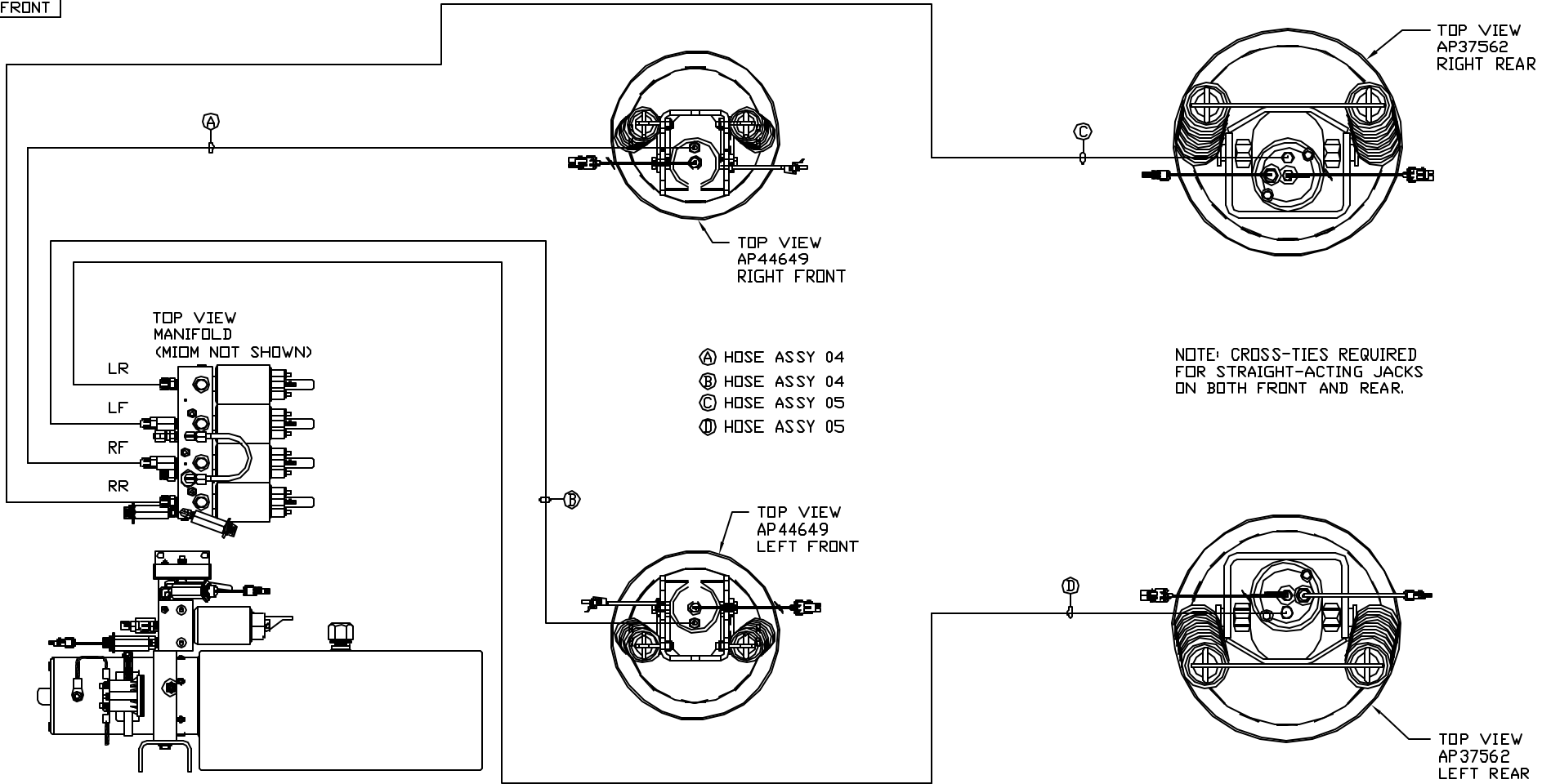


ORIENTATION
 FRONT



SIDE VIEW PUMP/MANIFOLD-AP53196
 LOCATION AND ORIENTATION OF
 PUMP/MANIFOLD ASSEMBLY WILL
 DIFFER DEPENDING UPON O.E.M.

NO.	DATE	REVISION

HWH I-80 EXIT 267 SOUTH
 RT 1 MOSCOW, IOWA 52760
 SCALE 1:6 DATE 10JUN15 DRAWN BY .

HYD CONN DIAGRAM

NOTE: INSTALLATION MUST CONFORM TO GOOD SHOP PRACTICES, SAE STANDARDS, RVIA STANDARDS, AND OTHER APPLICABLE STANDARDS.

LEVELING SYSTEM: AP54765

THE INFORMATION DISCLOSED ON THIS DRAWING IS CONFIDENTIAL AND MUST NOT BE DISCLOSED OR USED IN ANY MANNER WHICH WILL BE DETRIMENTAL TO THE HWH CORPORATION

MATTHEWS

DRAWING NUMBER
 MP70891 A/D

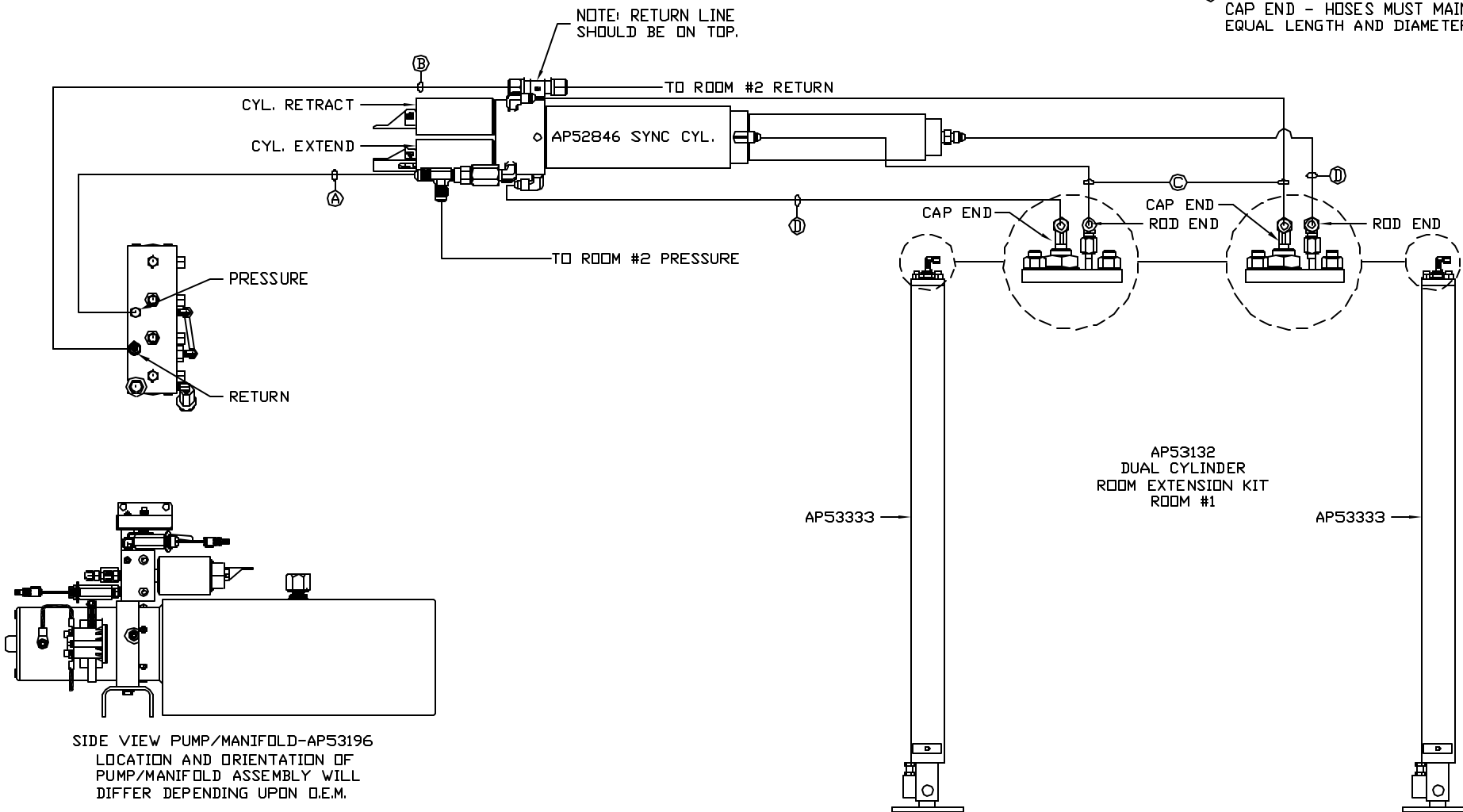
Ⓐ HOSE ASSY 04
PRESSURE

Ⓑ TUBING .375"
RETURN

Ⓒ HOSE ASSY 03
ROD END - ALWAYS PRESSURIZED
HOSES MUST MAINTAIN EQUAL
LENGTH AND DIAMETER

Ⓓ HOSE ASSY 04
CAP END - HOSES MUST MAINTAIN
EQUAL LENGTH AND DIAMETER

NOTE: RETURN LINE
SHOULD BE ON TOP.



SIDE VIEW PUMP/MANIFOLD-AP53196
LOCATION AND ORIENTATION OF
PUMP/MANIFOLD ASSEMBLY WILL
DIFFER DEPENDING UPON O.E.M.

NOTE: INSTALLATION MUST CONFORM TO GOOD SHOP PRACTICES, SAE
STANDARDS, RVIA STANDARDS, AND OTHER APPLICABLE STANDARDS.

MP70891 B/E
10JUN15

*1: PART OF THE ROOM
EXTENSION MECHANISM.

NOTE: HOSES (E) AND (F) ARE INCLUDED
WITH THE ROOM EXTENSION MECHANISM.

(A) HOSE ASSY 04
PRESSURE

(B) TUBING .375"
RETURN

(C) HOSE ASSY 03
ROD END - ALWAYS PRESSURIZED
HOSES MUST MAINTAIN EQUAL
LENGTH AND DIAMETER

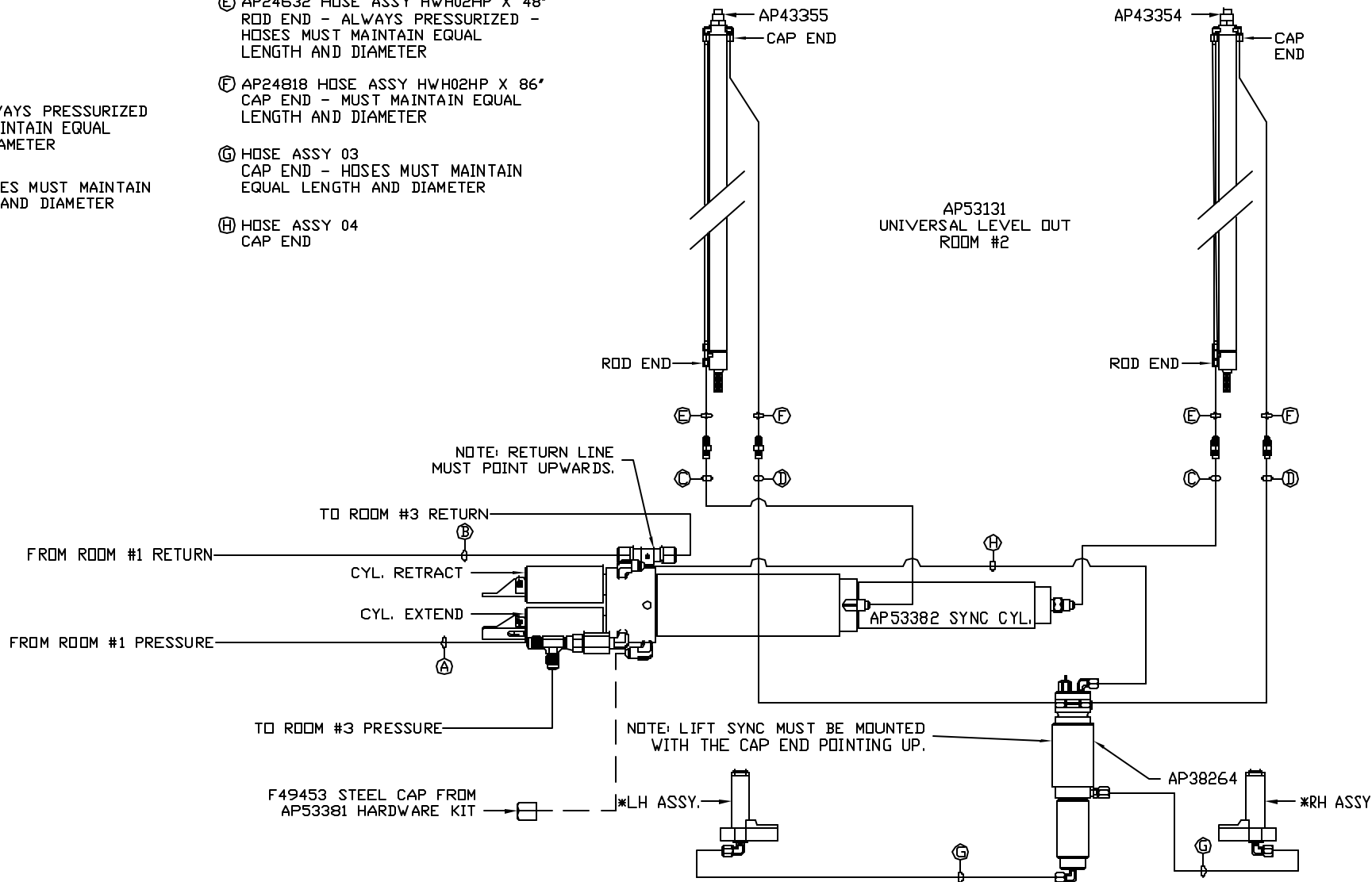
(D) HOSE ASSY 04
CAP END - HOSES MUST MAINTAIN
EQUAL LENGTH AND DIAMETER

(E) AP24632 HOSE ASSY HWH02HP X 48"
ROD END - ALWAYS PRESSURIZED -
HOSES MUST MAINTAIN EQUAL
LENGTH AND DIAMETER

(F) AP24818 HOSE ASSY HWH02HP X 86"
CAP END - MUST MAINTAIN EQUAL
LENGTH AND DIAMETER

(G) HOSE ASSY 03
CAP END - HOSES MUST MAINTAIN
EQUAL LENGTH AND DIAMETER

(H) HOSE ASSY 04
CAP END



NOTE: INSTALLATION MUST CONFORM TO GOOD SHOP PRACTICES, SAE
STANDARDS, RVIA STANDARDS, AND OTHER APPLICABLE STANDARDS.

MP70891 C/E
10JUN15

*1: PART OF THE ROOM EXTENSION MECHANISM.

NOTE: HOSES (E) AND (F) ARE INCLUDED WITH THE ROOM EXTENSION MECHANISM.

(A) HOSE ASSY 04
PRESSURE

(B) TUBING .375"
RETURN

(C) HOSE ASSY 03
ROD END - ALWAYS PRESSURIZED
HOSES MUST MAINTAIN EQUAL
LENGTH AND DIAMETER

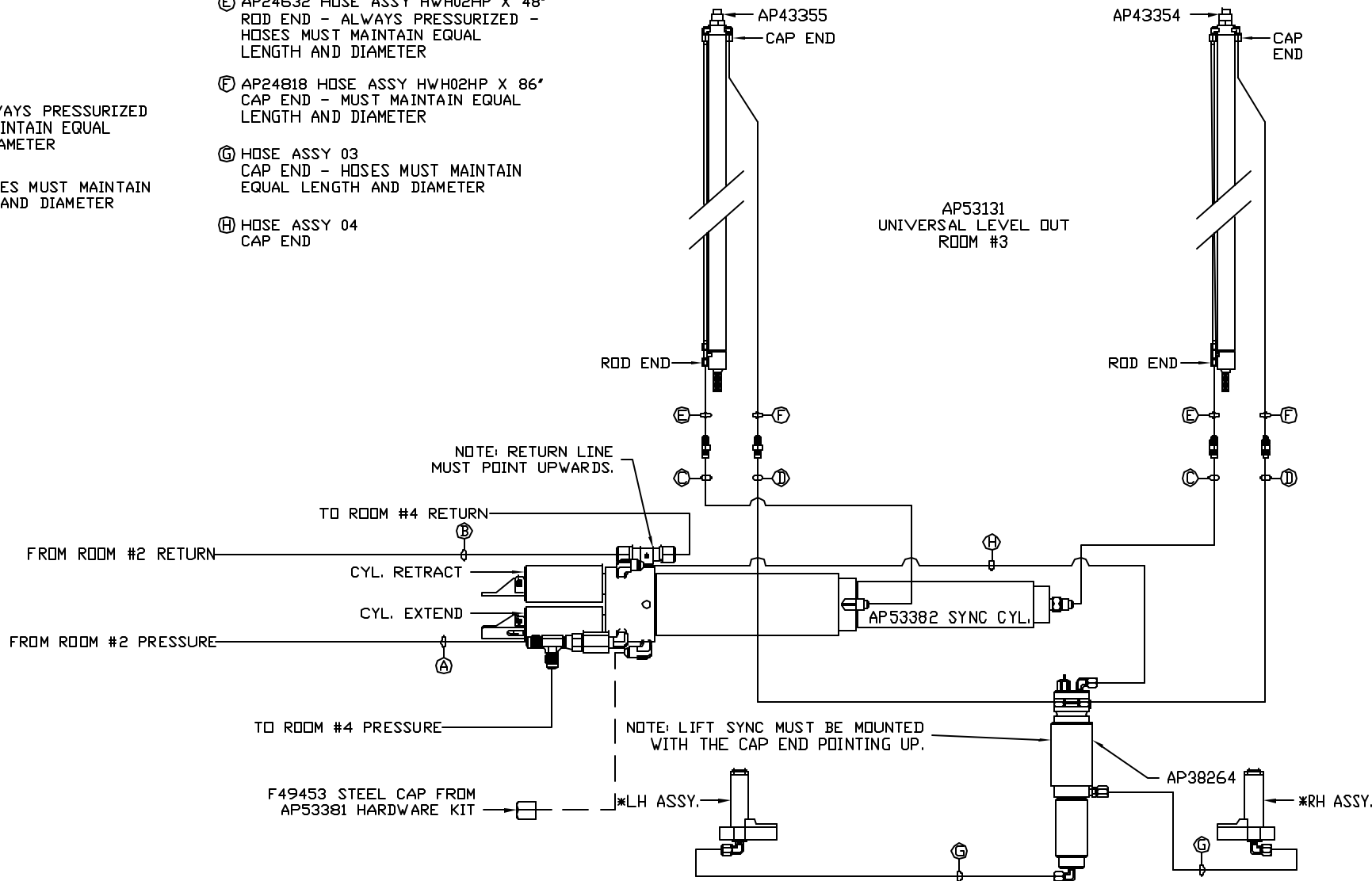
(D) HOSE ASSY 04
CAP END - HOSES MUST MAINTAIN
EQUAL LENGTH AND DIAMETER

(E) AP24632 HOSE ASSY HWH02HP X 48"
ROD END - ALWAYS PRESSURIZED -
HOSES MUST MAINTAIN EQUAL
LENGTH AND DIAMETER

(F) AP24818 HOSE ASSY HWH02HP X 86"
CAP END - MUST MAINTAIN EQUAL
LENGTH AND DIAMETER

(G) HOSE ASSY 03
CAP END - HOSES MUST MAINTAIN
EQUAL LENGTH AND DIAMETER

(H) HOSE ASSY 04
CAP END



NOTE: INSTALLATION MUST CONFORM TO GOOD SHOP PRACTICES, SAE STANDARDS, RVIA STANDARDS, AND OTHER APPLICABLE STANDARDS.

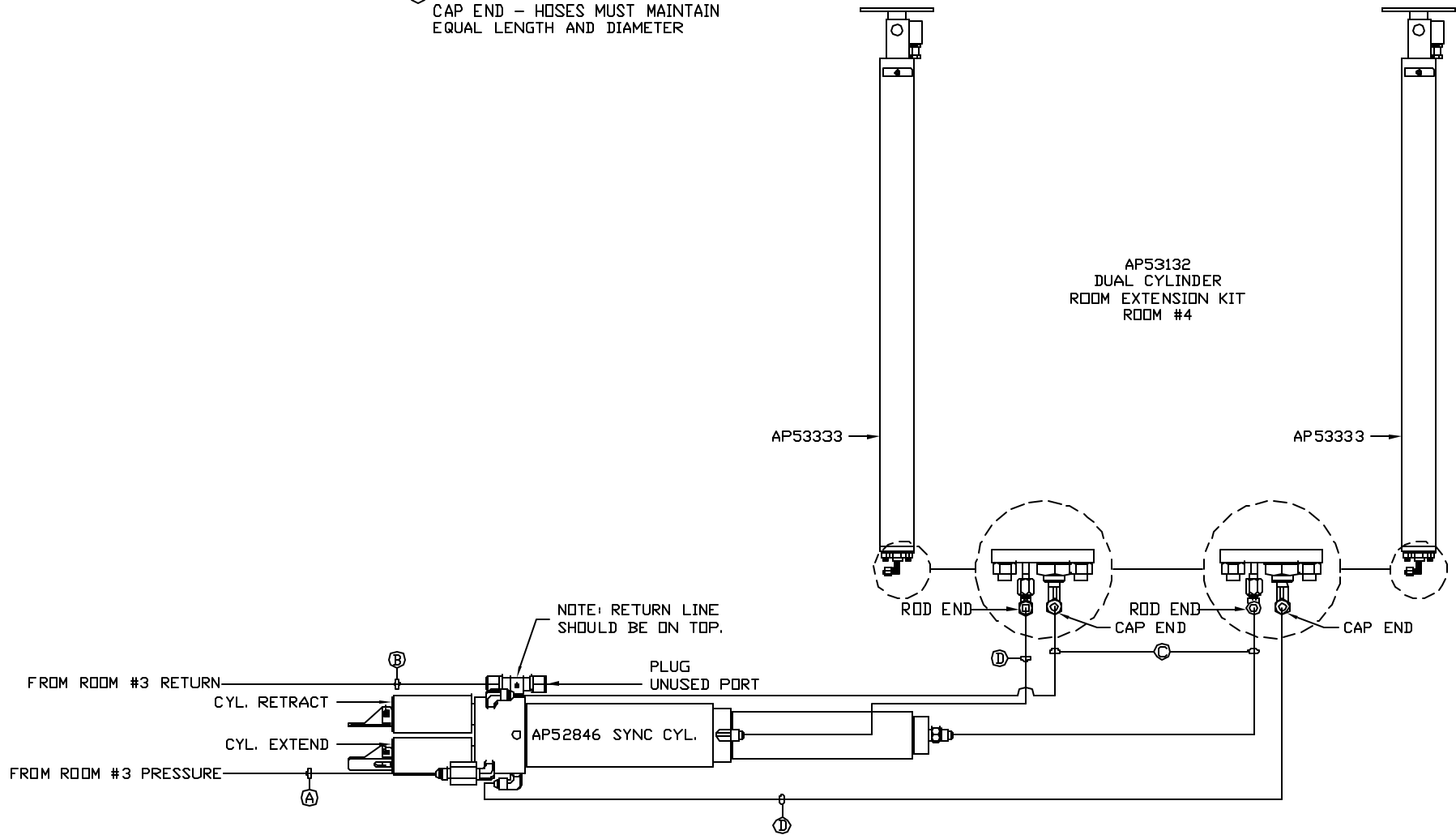
MP70891 D/E
10JUN15

Ⓐ HOSE ASSY 04
PRESSURE

Ⓑ TUBING ,375"
RETURN

Ⓒ HOSE ASSY 03
ROD END - ALWAYS PRESSURIZED
HOSES MUST MAINTAIN EQUAL
LENGTH AND DIAMETER

Ⓓ HOSE ASSY 04
CAP END - HOSES MUST MAINTAIN
EQUAL LENGTH AND DIAMETER



NOTE: INSTALLATION MUST CONFORM TO GOOD SHOP PRACTICES, SAE
STANDARDS, RVIA STANDARDS, AND OTHER APPLICABLE STANDARDS.

MP70891 E/E
10JUN15