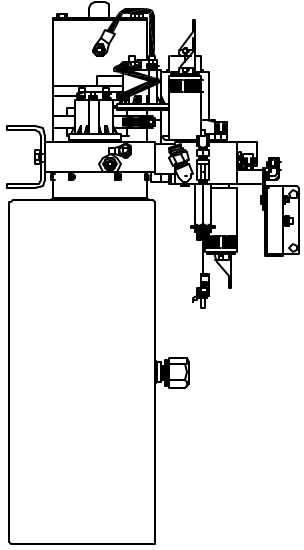
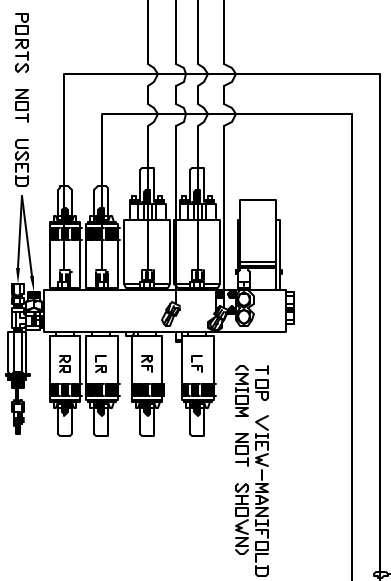
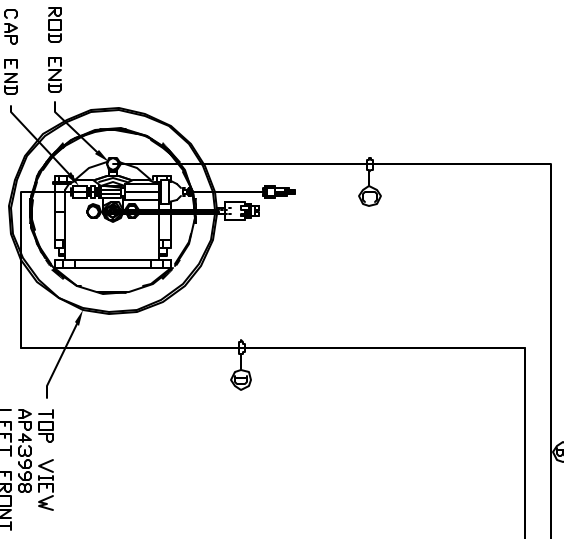
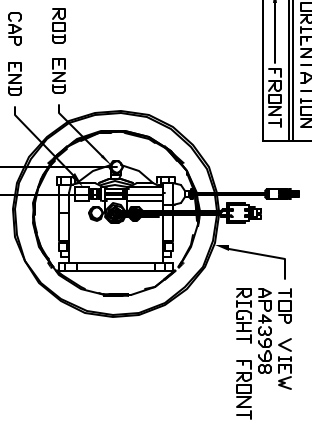
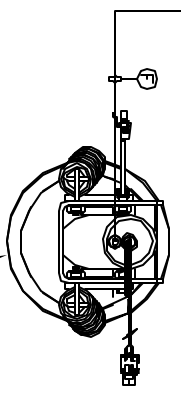
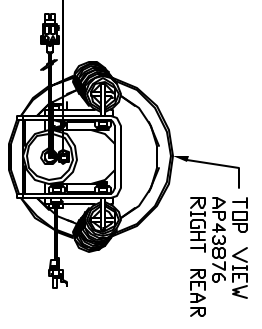


ORIENTATION  
FRONT



LOCATION AND ORIENTATION OF PUMP/MANIFOLD ASSEMBLY WILL DIFFER DEPENDING UPON DEM.



NOTE: CROSS TIES REQUIRED FOR FRONT AND REAR JACKS

- Ⓐ AP4065 HOSE ASSY 04 X 156' - RF ROD END
- Ⓑ AP22077 HOSE ASSY 05 X 156' - RF CAP END
- Ⓒ AP1412 HOSE ASSY 04 X 84' - LF ROD END
- Ⓓ AP42051 HOSE ASSY 05 X 84' - RF CAP END
- Ⓔ AP6217 HOSE ASSY 04 X 456' - RR CAP END
- Ⓕ AP4669 HOSE ASSY 04 X 408' - LR CAP END

NOTE: INSTALLATION MUST CONFORM TO GOOD SHOP PRACTICES, SAE STANDARDS, RYLA STANDARDS, AND OTHER APPLICABLE STANDARDS.

LEVELING SYSTEM: AP55158

NO.	DATE	REVISION

HWH	SCALE	DATE	DRAWN BY
	1:6	27MAY15	
HYD CONN DIAGRAM			
ROLLINGSTAR			
DRAWING NUMBER			MP70879

THE INFORMATION DISCLOSED IN THIS DRAWING IS CONFIDENTIAL AND MUST NOT BE DISCLOSED OR USED IN ANY MANNER WHICH WILL BE DETRIMENTAL TO THE INH CORPORATION

1-80 EXIT 267 SOUTH  
RT 1 MOSCOW, IOWA 52760