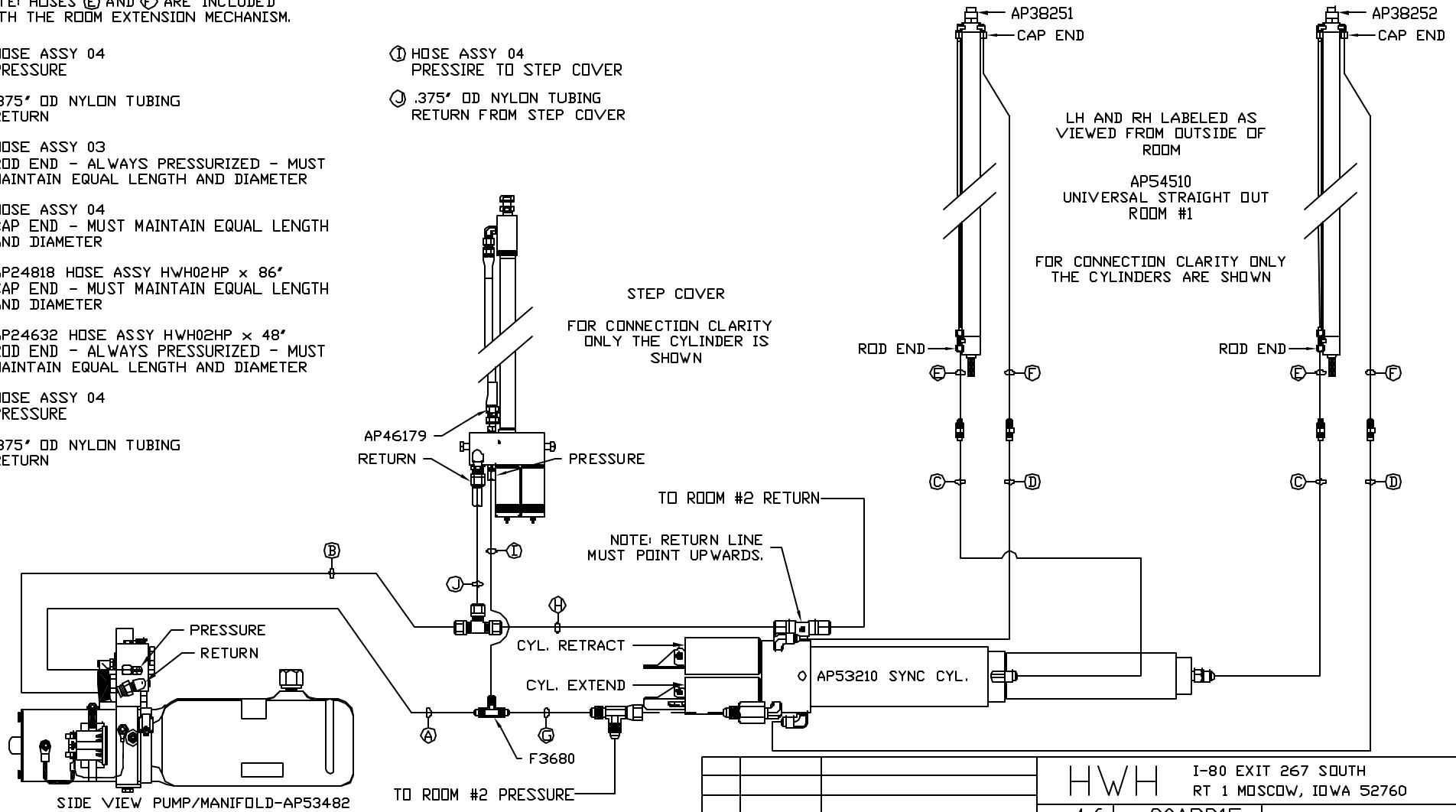


NOTE: HOSES (C) AND (E) ARE INCLUDED WITH THE ROOM EXTENSION MECHANISM.

- (A) HOSE ASSY 04 PRESSURE
- (B) .375" OD NYLON TUBING RETURN
- (C) HOSE ASSY 03 ROD END - ALWAYS PRESSURIZED - MUST MAINTAIN EQUAL LENGTH AND DIAMETER
- (D) HOSE ASSY 04 CAP END - MUST MAINTAIN EQUAL LENGTH AND DIAMETER
- (E) AP24818 HOSE ASSY HWH02HP x 86" CAP END - MUST MAINTAIN EQUAL LENGTH AND DIAMETER
- (F) AP24632 HOSE ASSY HWH02HP x 48" ROD END - ALWAYS PRESSURIZED - MUST MAINTAIN EQUAL LENGTH AND DIAMETER
- (G) HOSE ASSY 04 PRESSURE
- (H) .375" OD NYLON TUBING RETURN

- (I) HOSE ASSY 04 PRESSURE TO STEP COVER
- (J) .375" OD NYLON TUBING RETURN FROM STEP COVER



SIDE VIEW PUMP/MANIFOLD-AP534-82  
 LOCATION AND ORIENTATION OF PUMP/MANIFOLD ASSEMBLY WILL DIFFER DEPENDING UPON O.E.M.

NOTE: INSTALLATION MUST CONFORM TO GOOD SHOP PRACTICES, SAE STANDARDS, RVIA STANDARDS, AND OTHER APPLICABLE STANDARDS. TRUCK #1

NO.	DATE	REVISION

HWH I-80 EXIT 267 SOUTH  
 RT 1 MOSCOW, IOWA 52760  
 SCALE 1:6 DATE 20APR15 DRAWN BY .

HYD CONN DIAGRAM

THE INFORMATION DISCLOSED ON THIS DRAWING IS CONFIDENTIAL AND MUST NOT BE DISCLOSED OR USED IN ANY MANNER WHICH WILL BE DETRIMENTAL TO THE HWH CORPORATION

KING OF THE ROAD DRAWING NUMBER MP70873 A/B

