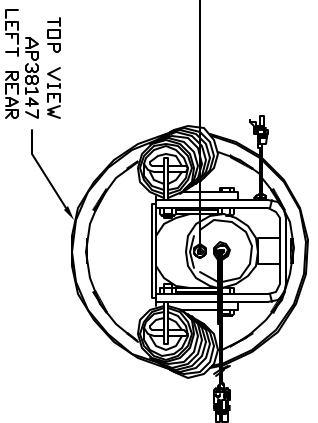
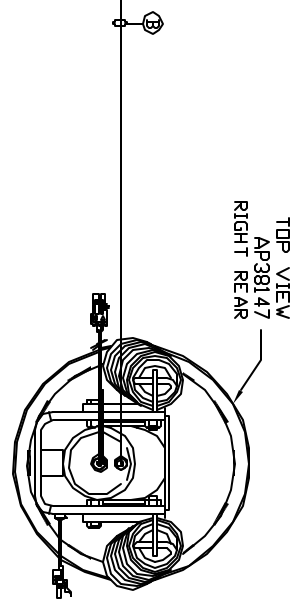
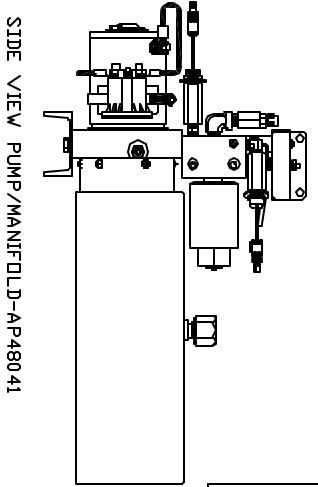
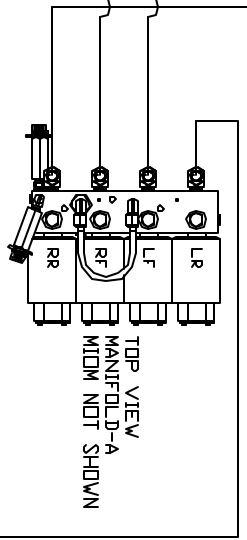
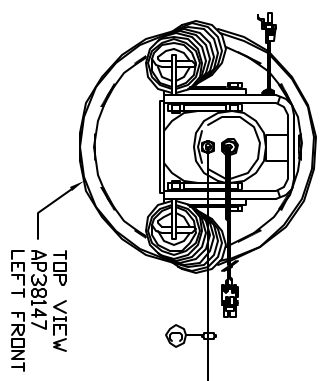
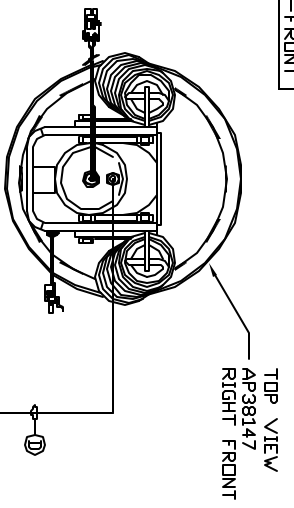


ORIENTATION  
FRONT



- Ⓐ AP5352 HOSE ASSY 04 x 96'
  - Ⓑ AP5965 HOSE ASSY 04 x 180'
  - Ⓒ AP4061 HOSE ASSY 04 x 216'
  - Ⓓ AP4064 HOSE ASSY 04 x 300'
- CROSS TIES REQUIRED FOR FRONT AND REAR JACKS

NOTE: INSTALLATION MUST CONFORM TO GOOD SHOP PRACTICES, SAE STANDARDS, RVIA STANDARDS, AND OTHER APPLICABLE STANDARDS.

LEVELING SYSTEM AP54457

NO.	DATE	REVISION

THE INFORMATION DISCLOSED IN THIS DRAWING IS CONFIDENTIAL AND MUST NOT BE DISCLOSED OR USED IN ANY MANNER WHICH WILL BE DETRIMENTAL TO THE RVH CORPORATION

SCALE 1:6 DATE 14JAN15 DRAWN BY .

HHH 1-80 EXIT 267 SOUTH  
RT 1 MOSCOW, IOWA 52760

HYD CONN DIAGRAM

FRONTLINE

DRAWING NUMBER MP70839