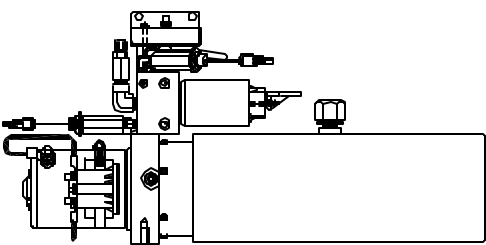
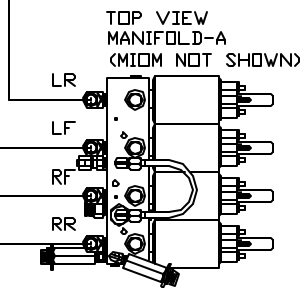
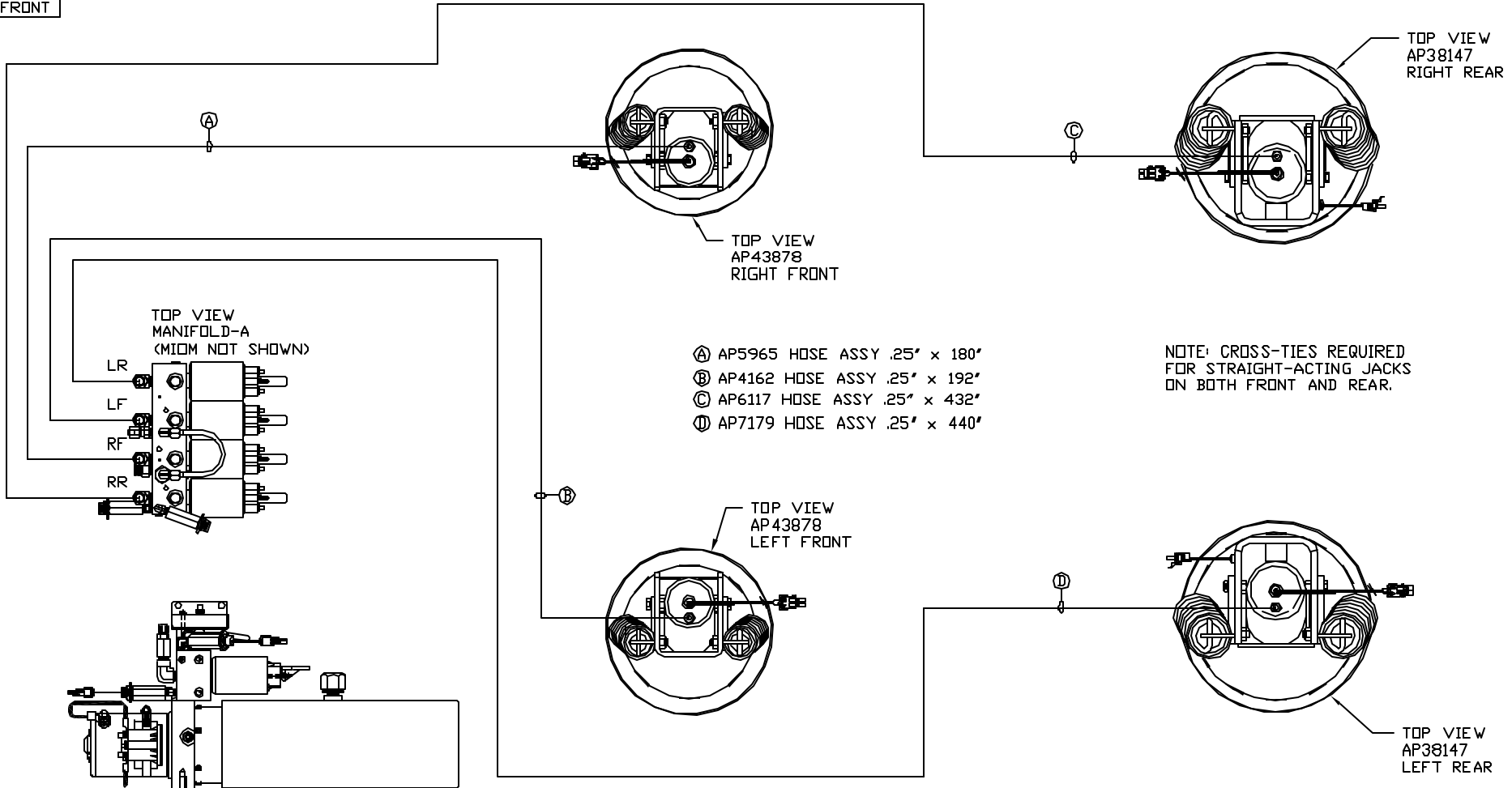


ORIENTATION
 FRONT



SIDE VIEW PUMP/MANIFOLD-AP53497
 LOCATION AND ORIENTATION OF
 PUMP/MANIFOLD ASSEMBLY WILL
 DIFFER DEPENDING UPON O.E.M.

- Ⓐ AP5965 HOSE ASSY .25" x 180"
- Ⓑ AP4162 HOSE ASSY .25" x 192"
- Ⓒ AP6117 HOSE ASSY .25" x 432"
- Ⓓ AP7179 HOSE ASSY .25" x 440"

NOTE: CROSS-TIES REQUIRED
 FOR STRAIGHT-ACTING JACKS
 ON BOTH FRONT AND REAR.

NOTE: INSTALLATION MUST CONFORM TO GOOD SHOP PRACTICES, SAE STANDARDS, RVIA STANDARDS, AND OTHER APPLICABLE STANDARDS. LEVELING SYSTEM: AP53486

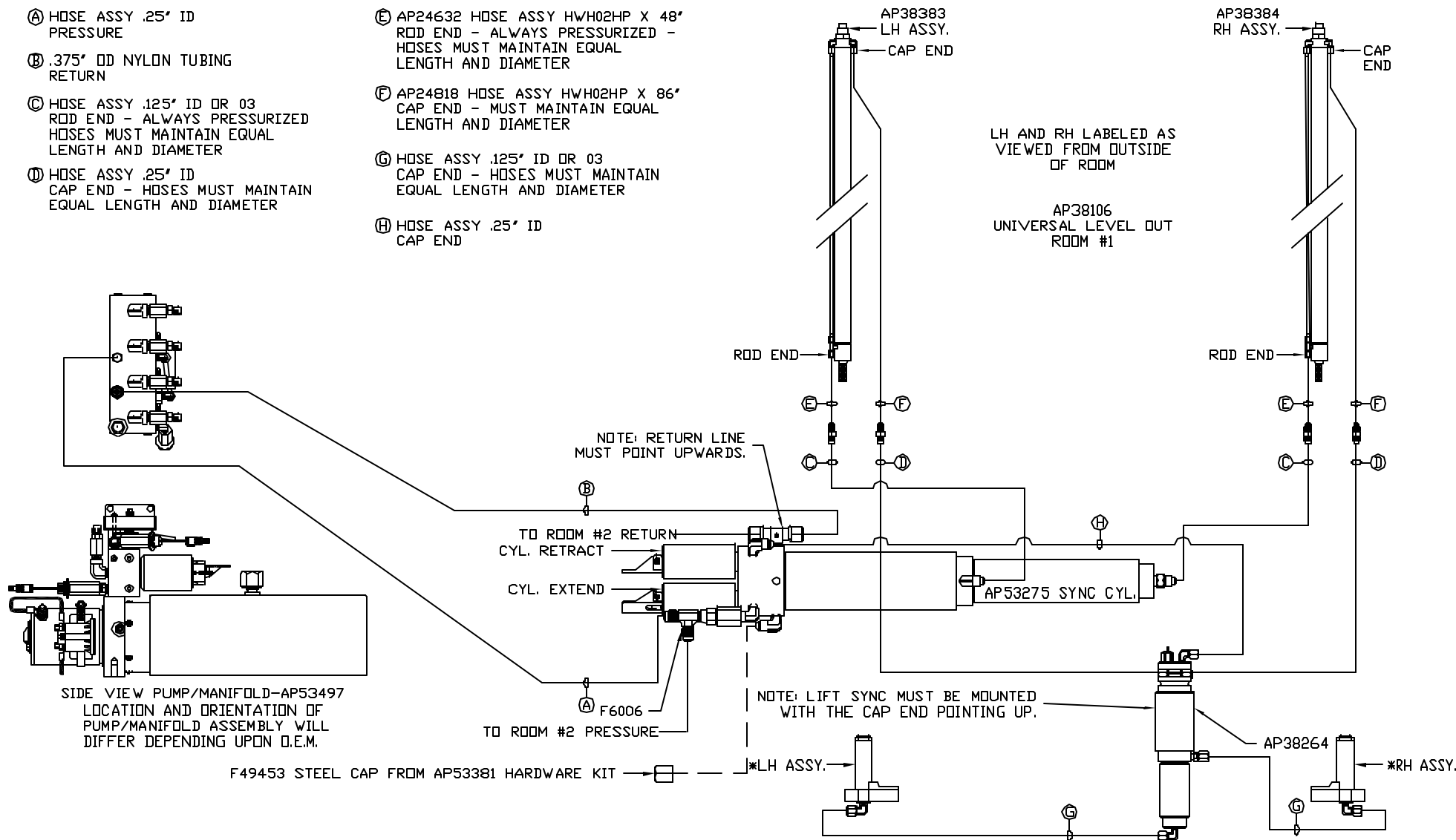
		HWH		I-80 EXIT 267 SOUTH RT 1 MOSCOW, IOWA 52760	
		SCALE 1:6	DATE 22MAY14	DRAWN BY .	
1	07MAY15	CORRECTED TYPO			
NO.	DATE	REVISION			
HYD CONN DIAGRAM					
THE INFORMATION DISCLOSED ON THIS DRAWING IS CONFIDENTIAL AND MUST NOT BE DISCLOSED OR USED IN ANY MANNER WHICH WILL BE DETRIMENTAL TO THE HWH CORPORATION				DRAWING NUMBER	
MATTHEWS				MP70786 A/C	

*1: PART OF THE ROOM
EXTENSION MECHANISM.

NOTE: HOSES (E) AND (F) ARE INCLUDED
WITH THE ROOM EXTENSION MECHANISM.

- (A) HOSE ASSY .25' ID
PRESSURE
- (B) .375" OD NYLON TUBING
RETURN
- (C) HOSE ASSY .125' ID OR 03
ROD END - ALWAYS PRESSURIZED -
HOSES MUST MAINTAIN EQUAL
LENGTH AND DIAMETER
- (D) HOSE ASSY .25' ID
CAP END - HOSES MUST MAINTAIN
EQUAL LENGTH AND DIAMETER

- (E) AP24632 HOSE ASSY HWH02HP X 48'
ROD END - ALWAYS PRESSURIZED -
HOSES MUST MAINTAIN EQUAL
LENGTH AND DIAMETER
- (F) AP24818 HOSE ASSY HWH02HP X 86'
CAP END - MUST MAINTAIN EQUAL
LENGTH AND DIAMETER
- (G) HOSE ASSY .125' ID OR 03
CAP END - HOSES MUST MAINTAIN
EQUAL LENGTH AND DIAMETER
- (H) HOSE ASSY .25' ID
CAP END



NOTE: INSTALLATION MUST CONFORM TO GOOD SHOP PRACTICES, SAE
STANDARDS, RVIA STANDARDS, AND OTHER APPLICABLE STANDARDS.

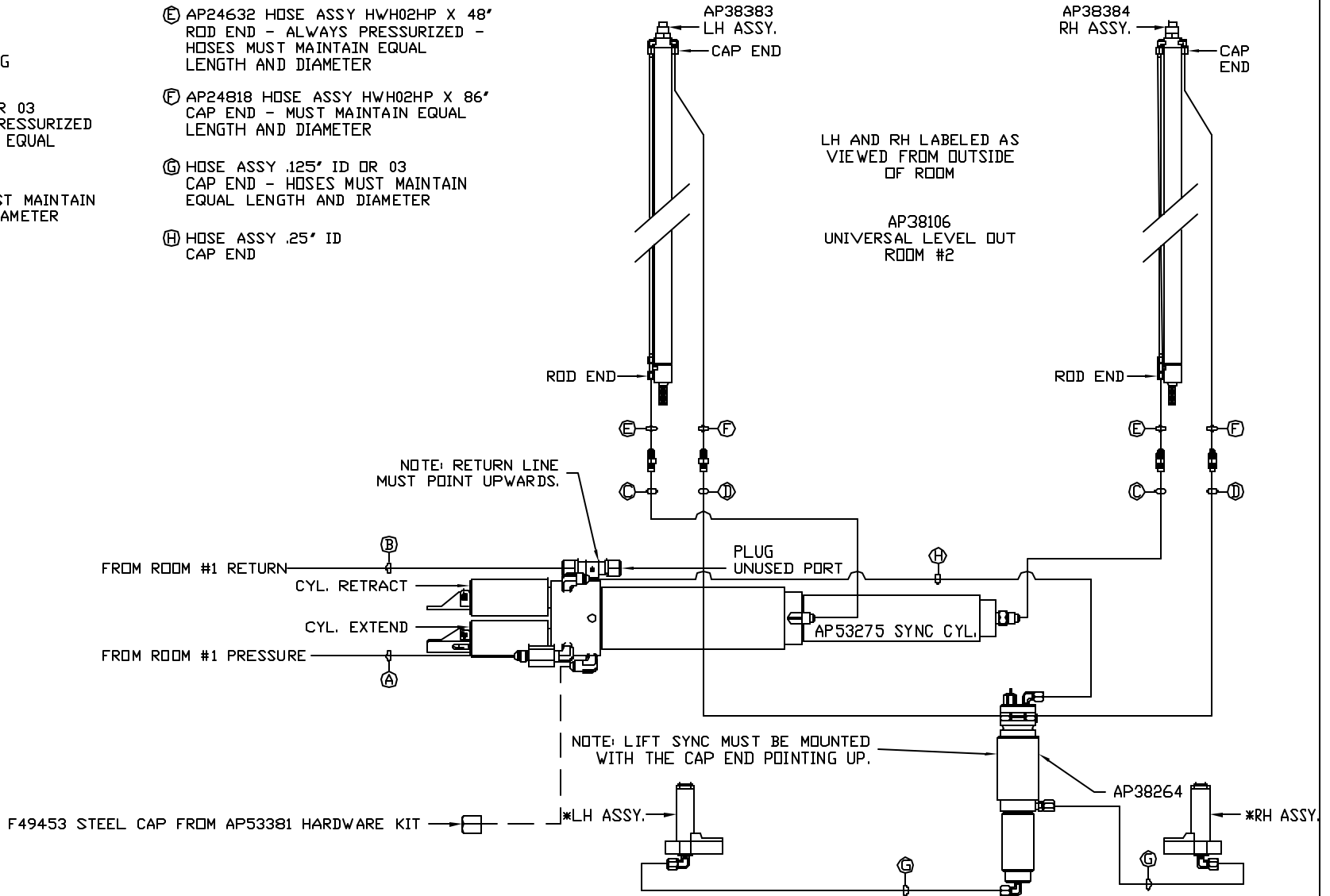
MP70786 B/C
22MAY14

*1: PART OF THE ROOM EXTENSION MECHANISM.

NOTE: HOSES (E) AND (F) ARE INCLUDED WITH THE ROOM EXTENSION MECHANISM.

- (A) HOSE ASSY .25" ID PRESSURE
- (B) .375" OD NYLON TUBING RETURN
- (C) HOSE ASSY .125" ID OR 03 ROD END - ALWAYS PRESSURIZED HOSES MUST MAINTAIN EQUAL LENGTH AND DIAMETER
- (D) HOSE ASSY .25" ID CAP END - HOSES MUST MAINTAIN EQUAL LENGTH AND DIAMETER

- (E) AP24632 HOSE ASSY HWH02HP X 48" ROD END - ALWAYS PRESSURIZED - HOSES MUST MAINTAIN EQUAL LENGTH AND DIAMETER
- (F) AP24818 HOSE ASSY HWH02HP X 86" CAP END - MUST MAINTAIN EQUAL LENGTH AND DIAMETER
- (G) HOSE ASSY .125" ID OR 03 CAP END - HOSES MUST MAINTAIN EQUAL LENGTH AND DIAMETER
- (H) HOSE ASSY .25" ID CAP END



NOTE: INSTALLATION MUST CONFORM TO GOOD SHOP PRACTICES, SAE STANDARDS, RVIA STANDARDS, AND OTHER APPLICABLE STANDARDS.

MP70786 C/C
07MAY15