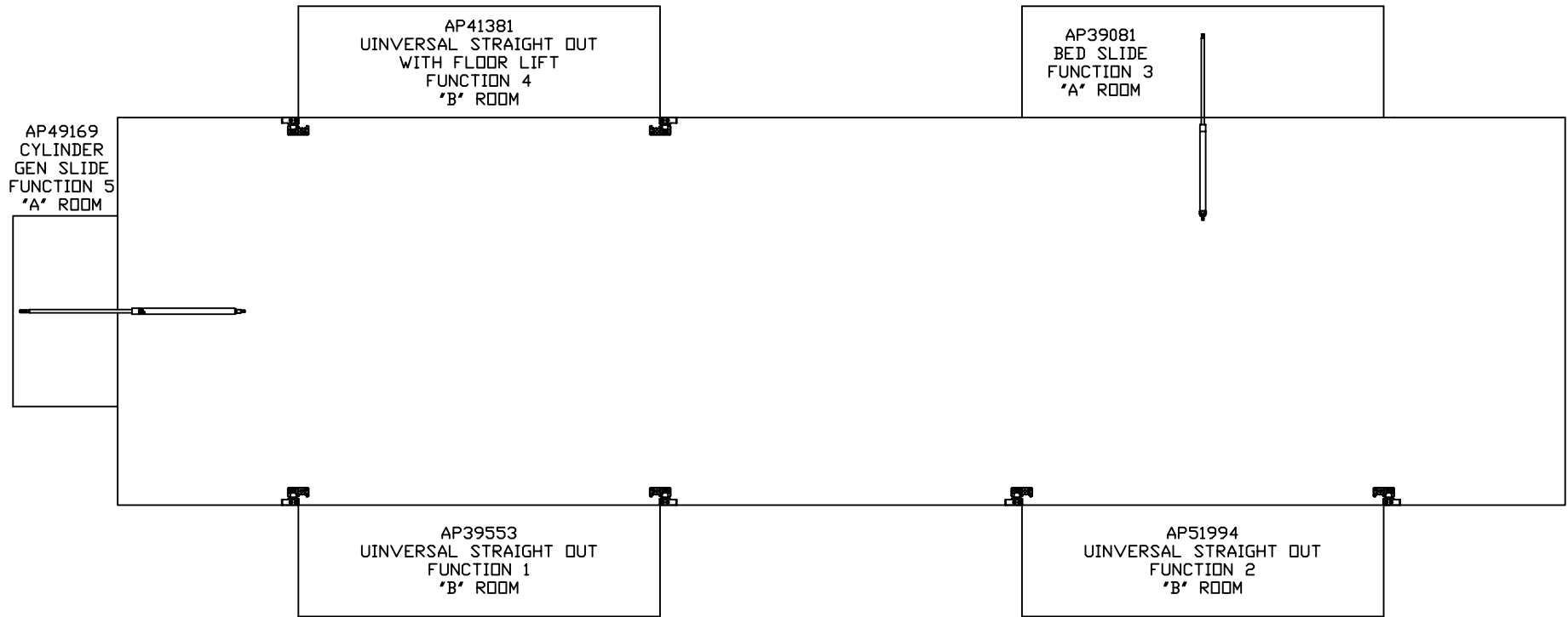


ORIENTATION  
← FRONT



| NO. | DATE    | REVISION          |
|-----|---------|-------------------|
| 4   | 31AUG15 | ADDED 'G' SHEET   |
| 3   | 13MAY15 | CORRECTED TYPO    |
| 2   | 21JAN15 | CORRECTED ROD/CAP |
| 1   | 13AUG14 | UPDATED HOSES     |

HWH I-80 EXIT 267 SOUTH  
RT 1 MOSCOW, IOWA 52760

SCALE 1:6 DATE 05MAY14 DRAWN BY .

HYD CONN DIAGRAM

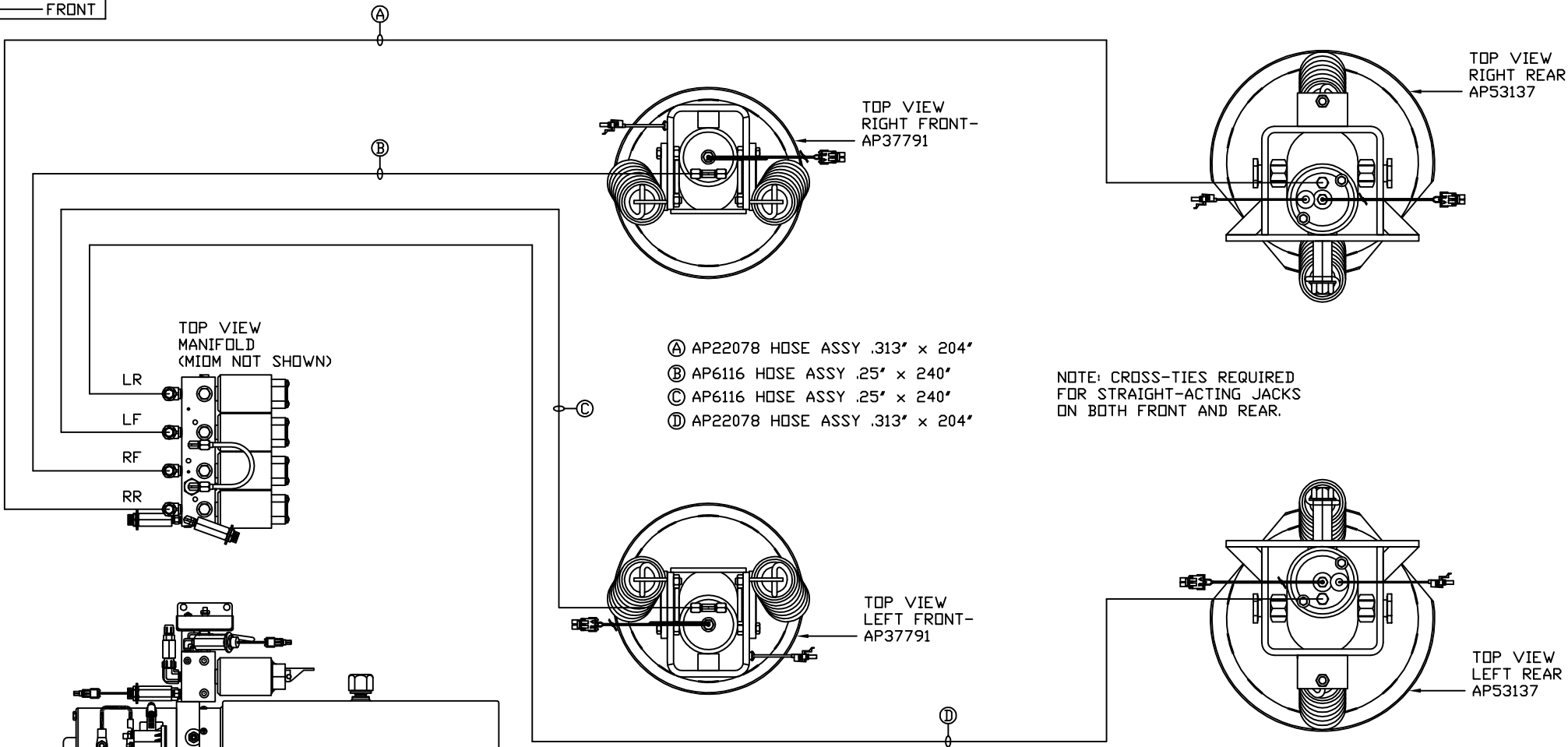
NOTE: INSTALLATION MUST CONFORM TO GOOD SHOP PRACTICES, SAE STANDARDS, RVIA STANDARDS, AND OTHER APPLICABLE STANDARDS.

LEVELING SYSTEM: AP53543

THE INFORMATION DISCLOSED ON THIS DRAWING IS CONFIDENTIAL AND MUST NOT BE DISCLOSED OR USED IN ANY MANNER WHICH WILL BE DETRIMENTAL TO THE HWH CORPORATION

FORETRAVEL DRAWING NUMBER MP70776 A/G

ORIENTATION  
 ← FRONT



TOP VIEW  
 RIGHT FRONT-  
 AP37791

TOP VIEW  
 RIGHT REAR  
 AP53137

TOP VIEW  
 MANIFOLD  
 (MIDM NOT SHOWN)

LR  
 LF  
 RF  
 RR

- Ⓐ AP22078 HOSE ASSY .313" x 204'
- Ⓑ AP6116 HOSE ASSY .25" x 240'
- Ⓒ AP6116 HOSE ASSY .25" x 240'
- Ⓓ AP22078 HOSE ASSY .313" x 204'

NOTE: CROSS-TIES REQUIRED  
 FOR STRAIGHT-ACTING JACKS  
 ON BOTH FRONT AND REAR.

TOP VIEW  
 LEFT FRONT-  
 AP37791

TOP VIEW  
 LEFT REAR  
 AP53137

SIDE VIEW PUMP/MANIFOLD-AP53583

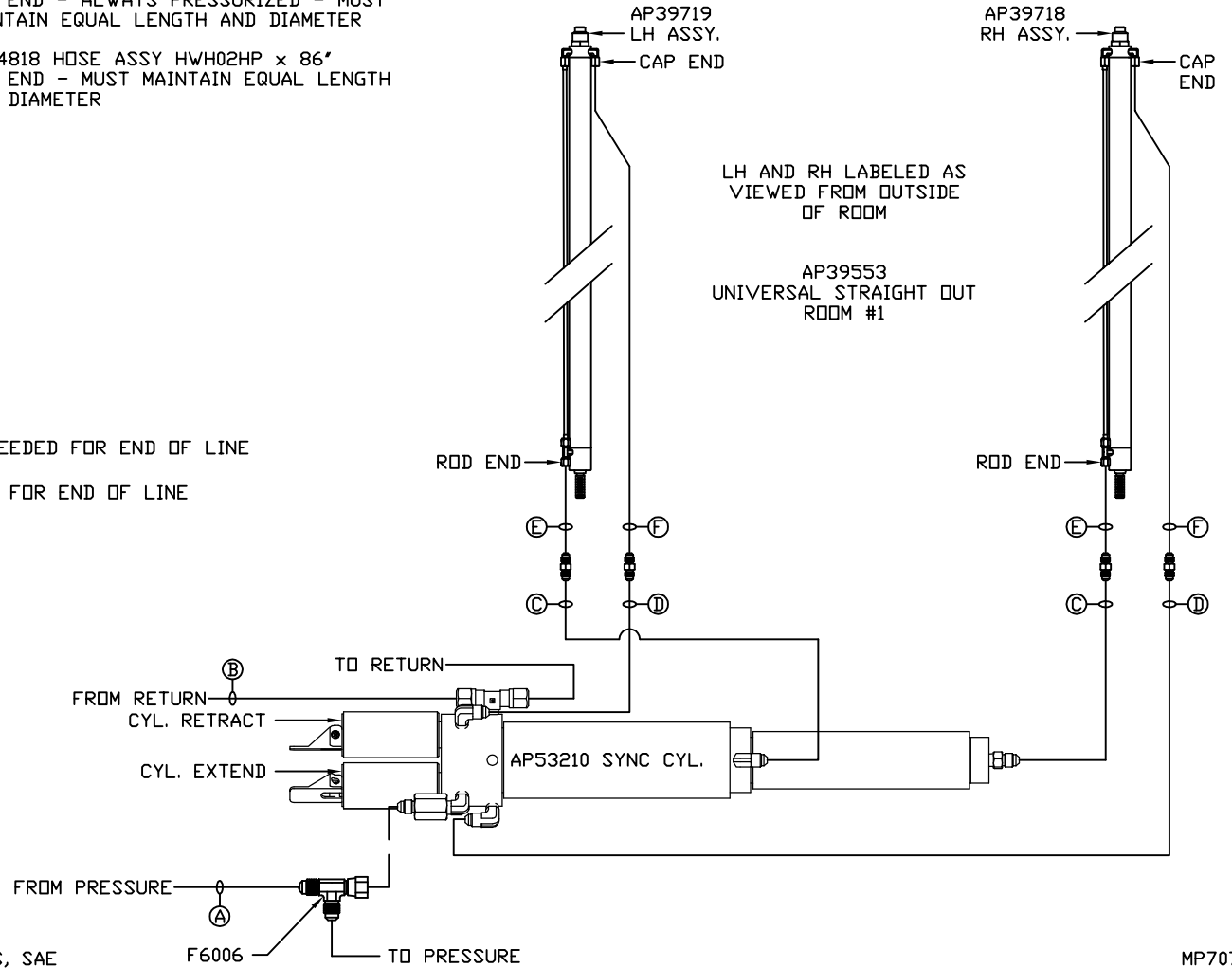
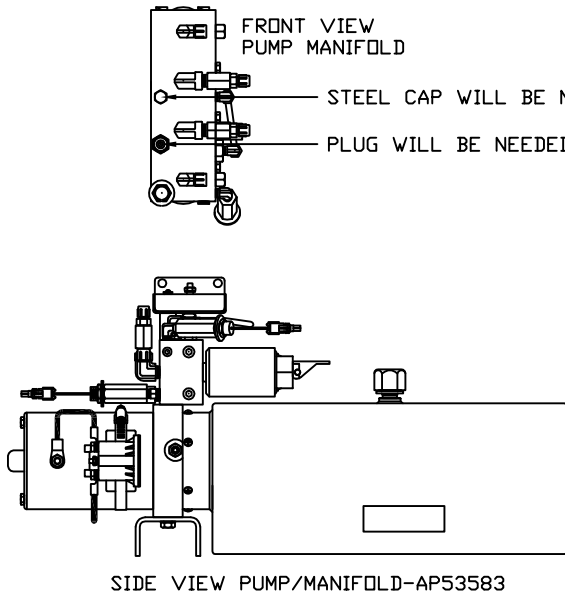
NOTE: INSTALLATION MUST CONFORM TO GOOD SHOP PRACTICES, SAE STANDARDS, RVIA STANDARDS, AND OTHER APPLICABLE STANDARDS.

MP70776 B/G  
 31AUG15

NOTE: HOSES (E) AND (F) ARE INCLUDED WITH THE ROOM EXTENSION MECHANISM

- (A) AP6115 HOSE ASSY .25 x 168" PRESSURE
- (B) .375" TUBING RETURN
- (C) AP53067 HOSE ASSY 03 x 276" WAS AP51449 HOSE ASSY 03F x 120" ROD END - ALWAYS PRESSURIZED - MUST MAINTAIN EQUAL LENGTH AND DIAMETER
- (D) AP49518 HOSE ASSY 03 x 280" WAS AP49734 HOSE ASSY 03 x 118" CAP END - MUST MAINTAIN EQUAL LENGTH AND DIAMETER

- (E) AP24632 HOSE ASSY HWH02HP x 48" ROD END - ALWAYS PRESSURIZED - MUST MAINTAIN EQUAL LENGTH AND DIAMETER
- (F) AP24818 HOSE ASSY HWH02HP x 86" CAP END - MUST MAINTAIN EQUAL LENGTH AND DIAMETER



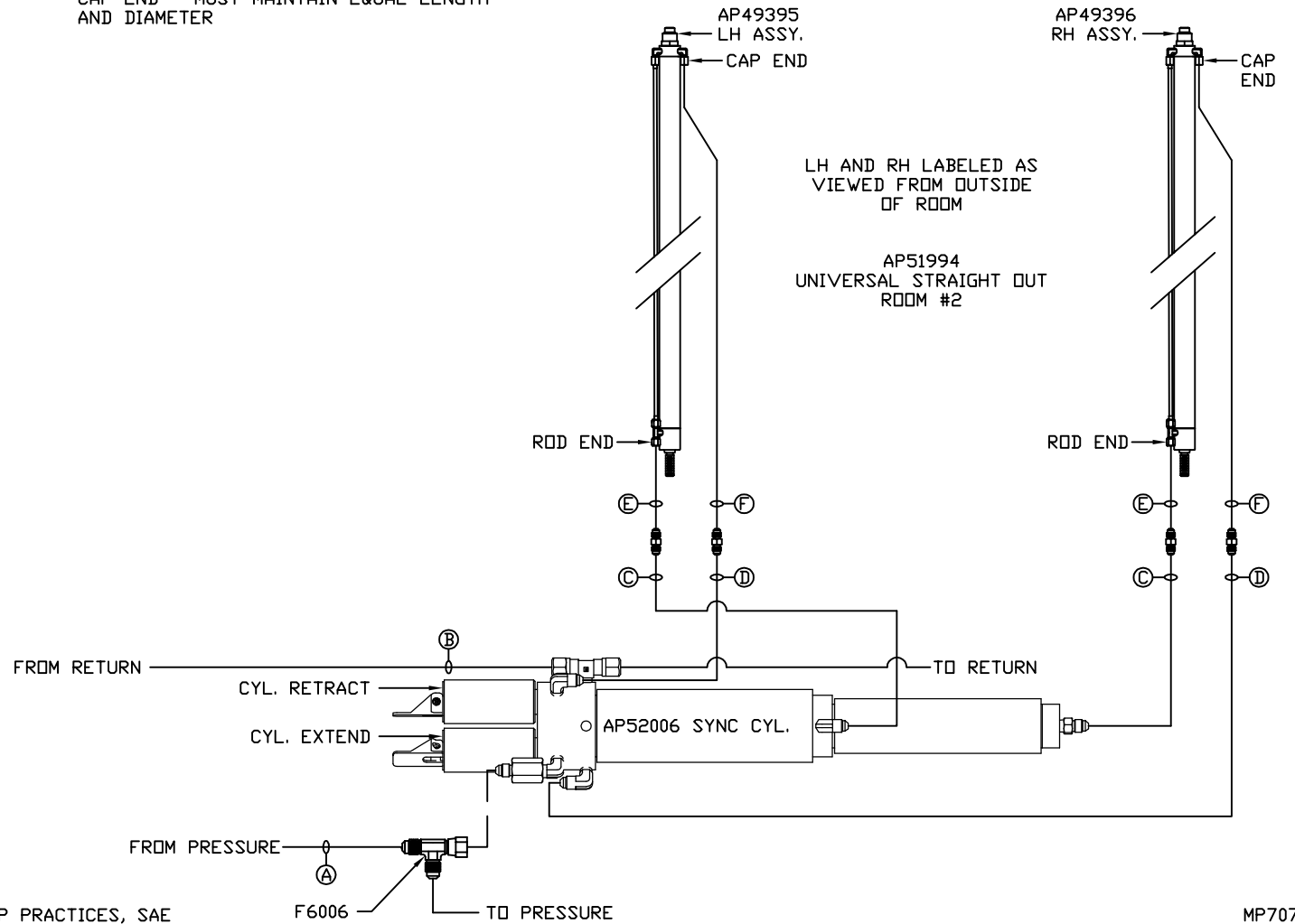
NOTE: INSTALLATION MUST CONFORM TO GOOD SHOP PRACTICES, SAE STANDARDS, RVIA STANDARDS, AND OTHER APPLICABLE STANDARDS.

MP70776 C/G  
31AUG15

NOTE: HOSES (E) AND (F) ARE INCLUDED WITH THE ROOM EXTENSION MECHANISM

- (A) AP4161 HOSE ASSY .25 x 120" PRESSURE
- (B) .375" TUBING RETURN
- (C) AP51635 HOSE ASSY 03 x 216" WAS AP51449 HOSE ASSY 03F x 120" ROD END - ALWAYS PRESSURIZED - MUST MAINTAIN EQUAL LENGTH AND DIAMETER
- (D) AP51405 HOSE ASSY 03 x 222" WAS AP49734 HOSE ASSY 03 x 118" CAP END - MUST MAINTAIN EQUAL LENGTH AND DIAMETER

- (E) AP24632 HOSE ASSY HWH02HP x 48" ROD END - ALWAYS PRESSURIZED - MUST MAINTAIN EQUAL LENGTH AND DIAMETER
- (F) AP24818 HOSE ASSY HWH02HP x 86" CAP END - MUST MAINTAIN EQUAL LENGTH AND DIAMETER



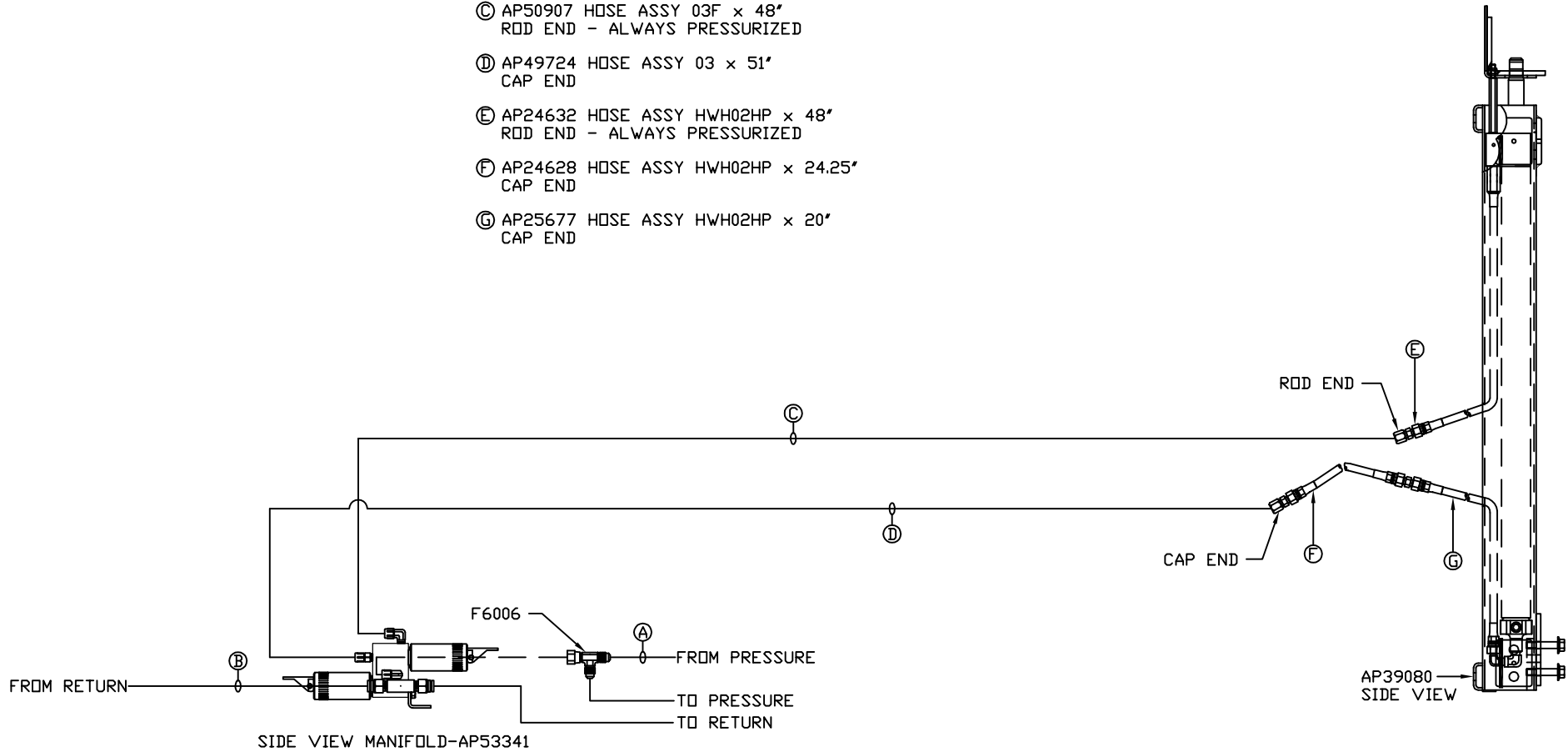
NOTE: INSTALLATION MUST CONFORM TO GOOD SHOP PRACTICES, SAE STANDARDS, RVIA STANDARDS, AND OTHER APPLICABLE STANDARDS.

MP70776 D/G  
31AUG15

NOTE: HOSES (E), (F) AND (G) ARE INCLUDED WITH THE ROOM EXTENSION MECHANISM

- (A) AP4161 HOSE ASSY .25" x 120'  
PRESSURE
- (B) .375" TUBING  
RETURN
- (C) AP50907 HOSE ASSY 03F x 48'  
ROD END - ALWAYS PRESSURIZED
- (D) AP49724 HOSE ASSY 03 x 51'  
CAP END
- (E) AP24632 HOSE ASSY HWH02HP x 48'  
ROD END - ALWAYS PRESSURIZED
- (F) AP24628 HOSE ASSY HWH02HP x 24.25'  
CAP END
- (G) AP25677 HOSE ASSY HWH02HP x 20'  
CAP END

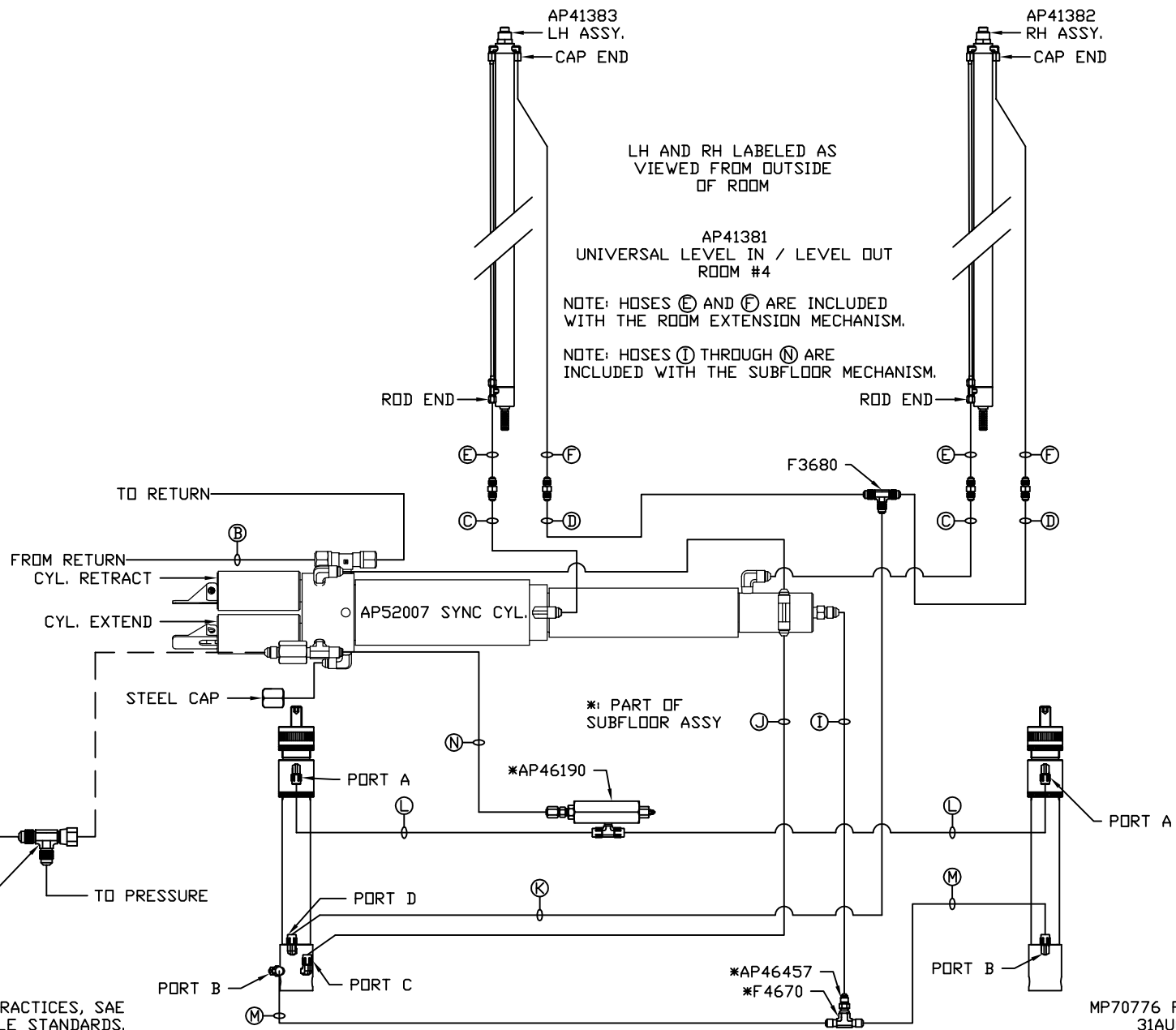
ROOM #3  
AP39081  
BED SLIDE KIT



NOTE: INSTALLATION MUST CONFORM TO GOOD SHOP PRACTICES, SAE STANDARDS, RVIA STANDARDS, AND OTHER APPLICABLE STANDARDS.

MP70776 E/G  
31AUG15

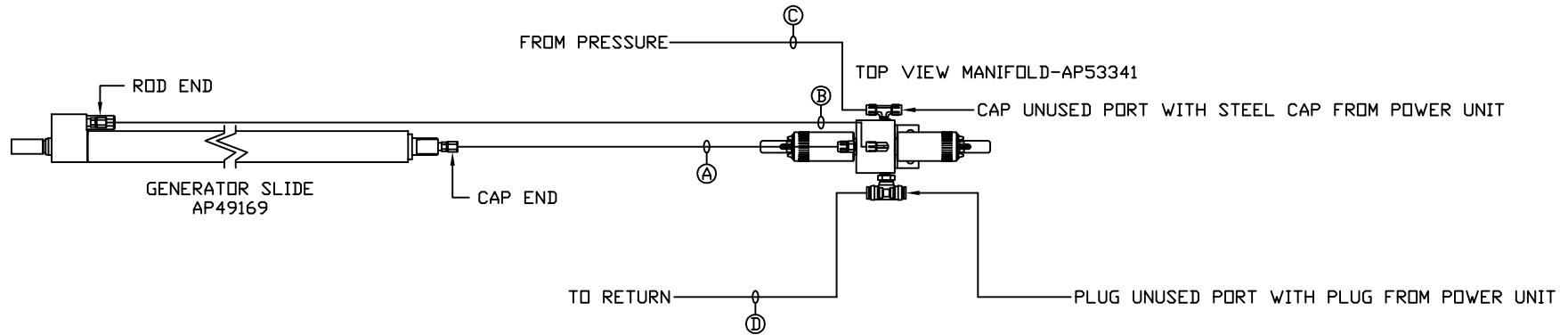
- Ⓐ AP5965 HOSE ASSY .25" x 180"  
PRESSURE
- Ⓑ .375" OD NYLON TUBING  
RETURN
- Ⓒ AP50261 HOSE ASSY 03" x 168"  
WAS AP51449 HOSE ASSY 03F" x 120"  
ROD END - ALWAYS PRESSURIZED - MUST  
MAINTAIN EQUAL LENGTH AND DIAMETER
- Ⓓ AP14173 HOSE ASSY 03" x 174"  
WAS AP49734 HOSE ASSY 03" x 118"  
CAP END - MUST MAINTAIN EQUAL LENGTH  
AND DIAMETER
- Ⓔ AP24632 HOSE ASSY HWH02HP x 48"  
ROD END - ALWAYS PRESSURIZED - MUST  
MAINTAIN EQUAL LENGTH AND DIAMETER
- Ⓕ AP24818 HOSE ASSY HWH02HP x 86"  
CAP END - MUST MAINTAIN EQUAL LENGTH  
AND DIAMETER
- Ⓖ AP4218 HOSE ASSY .25" x 40"  
CAP END (LIFT)
- Ⓙ AP4062 HOSE ASSY .25" x 132"  
CAP END (LIFT)
- Ⓚ AP5350 HOSE ASSY .25" x 57"  
CAP END (ROOM)
- Ⓛ AP4073 HOSE ASSY .25" x 90"  
ROD END (LIFT) - ALWAYS  
PRESSURIZED
- Ⓜ AP7177 HOSE ASSY .25" x 70"  
CAP END (LIFT)
- Ⓝ AP4075 HOSE ASSY .25" x 42"  
ROD END - ALWAYS PRESSURIZED (LIFT)



NOTE: INSTALLATION MUST CONFORM TO GOOD SHOP PRACTICES, SAE STANDARDS, RVIA STANDARDS, AND OTHER APPLICABLE STANDARDS.

MP70776 F/G  
31AUG15

- Ⓐ AP51448 HOSE ASSY 03F x 60'  
CAP END
- Ⓑ AP49725 HOSE ASSY 03 x 59'  
ROD END - ALWAYS PRESSURIZED
- Ⓒ AP5965 HOSE ASSY .25 x 180'  
PRESSURE
- Ⓓ .375" TUBING  
RETURN



NOTE: INSTALLATION MUST CONFORM TO GOOD SHOP PRACTICES, SAE STANDARDS, RVIA STANDARDS, AND OTHER APPLICABLE STANDARDS.

MP70776 G/G  
31AUG15