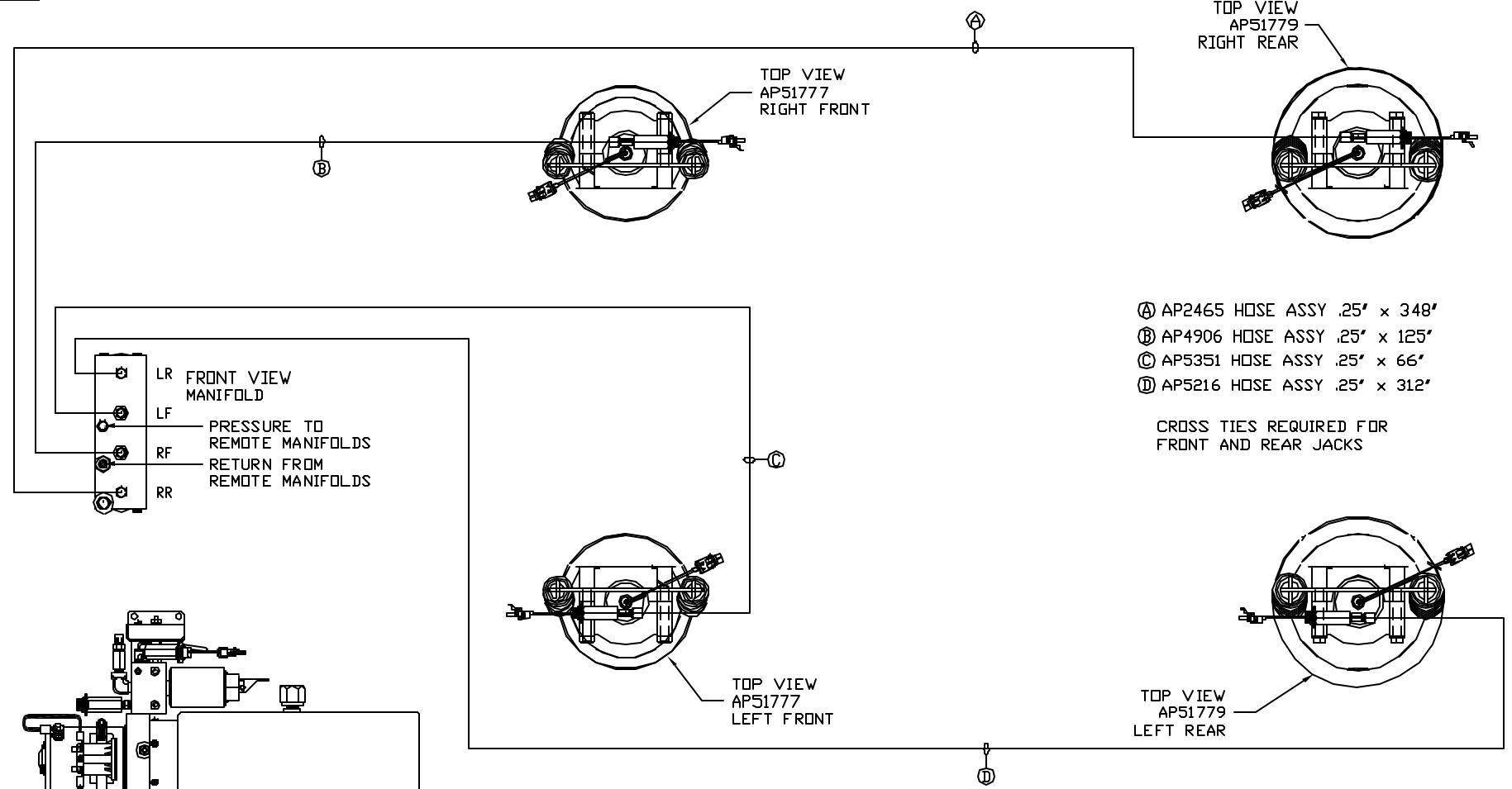
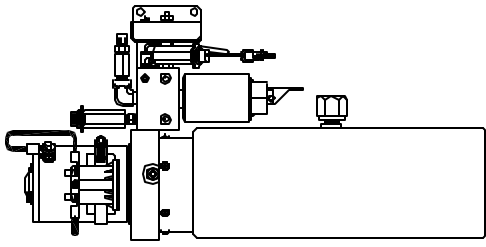


ORIENTATION
 FRONT



- Ⓐ AP2465 HOSE ASSY .25' x 348'
- Ⓑ AP4906 HOSE ASSY .25' x 125'
- Ⓒ AP5351 HOSE ASSY .25' x 66'
- Ⓓ AP5216 HOSE ASSY .25' x 312'

CROSS TIES REQUIRED FOR FRONT AND REAR JACKS



SIDE VIEW PUMP/MANIFOLD-AP53219

LOCATION AND ORIENTATION OF PUMP/MANIFOLD ASSEMBLY WILL DIFFER DEPENDING UPON O.E.M.

NOTE: INSTALLATION MUST CONFORM TO GOOD SHOP PRACTICES, SAE STANDARDS, RVIA STANDARDS, AND OTHER APPLICABLE STANDARDS.

LEVELING SYSTEM: AP53187

NO.	DATE	REVISION

HWH I-80 EXIT 267 SOUTH
 RT 1 MOSCOW, IOWA 52760

SCALE: 1:6 DATE 27FEB14 DRAWN BY .

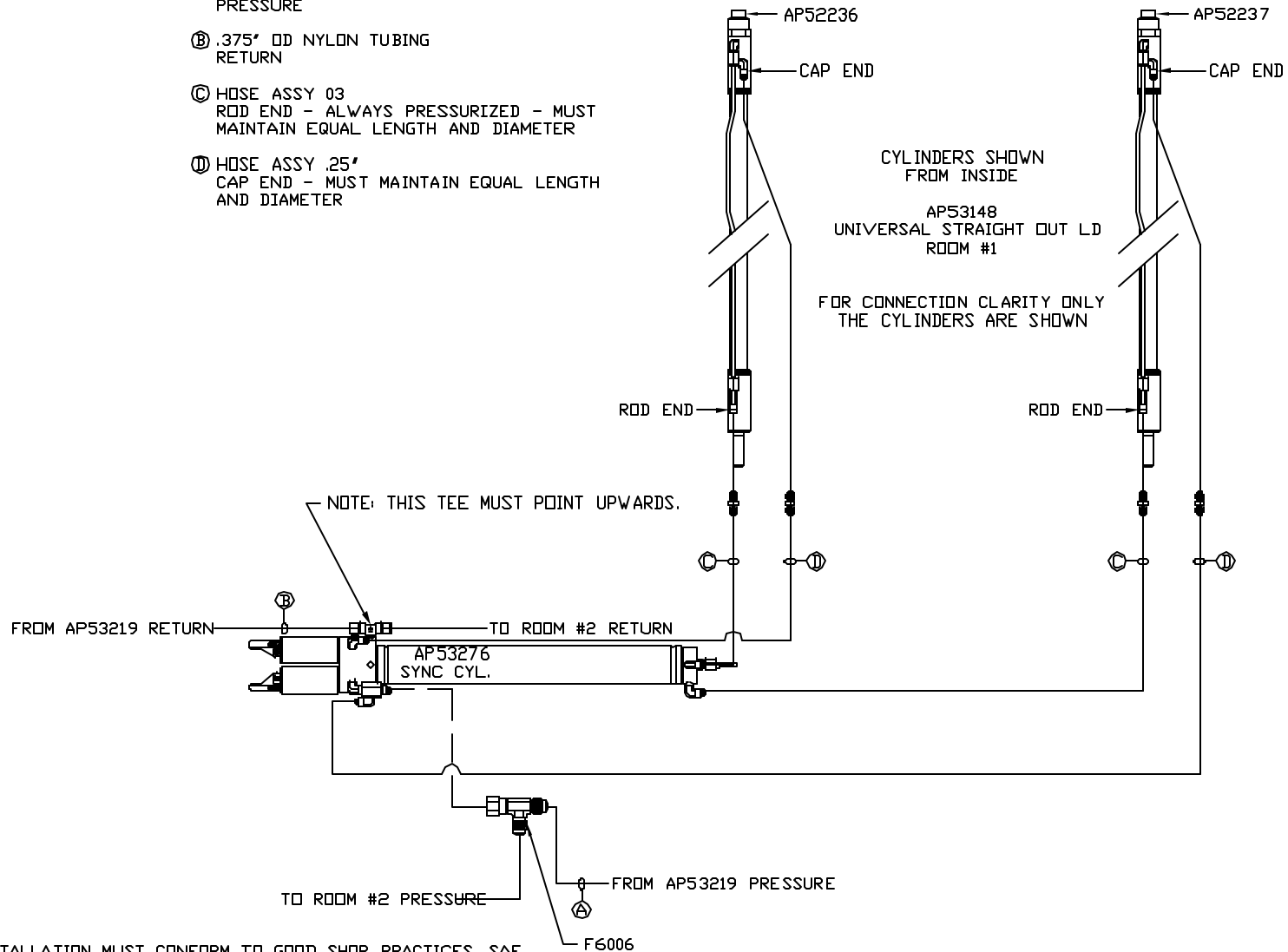
HYD CONN DIAGRAM

THE INFORMATION DISCLOSED ON THIS DRAWING IS CONFIDENTIAL AND MUST NOT BE DISCLOSED OR USED IN ANY MANNER WHICH WILL BE DETRIMENTAL TO THE HWH CORPORATION

FORETRAVEL

DRAWING NUMBER
 MP70762 A/D

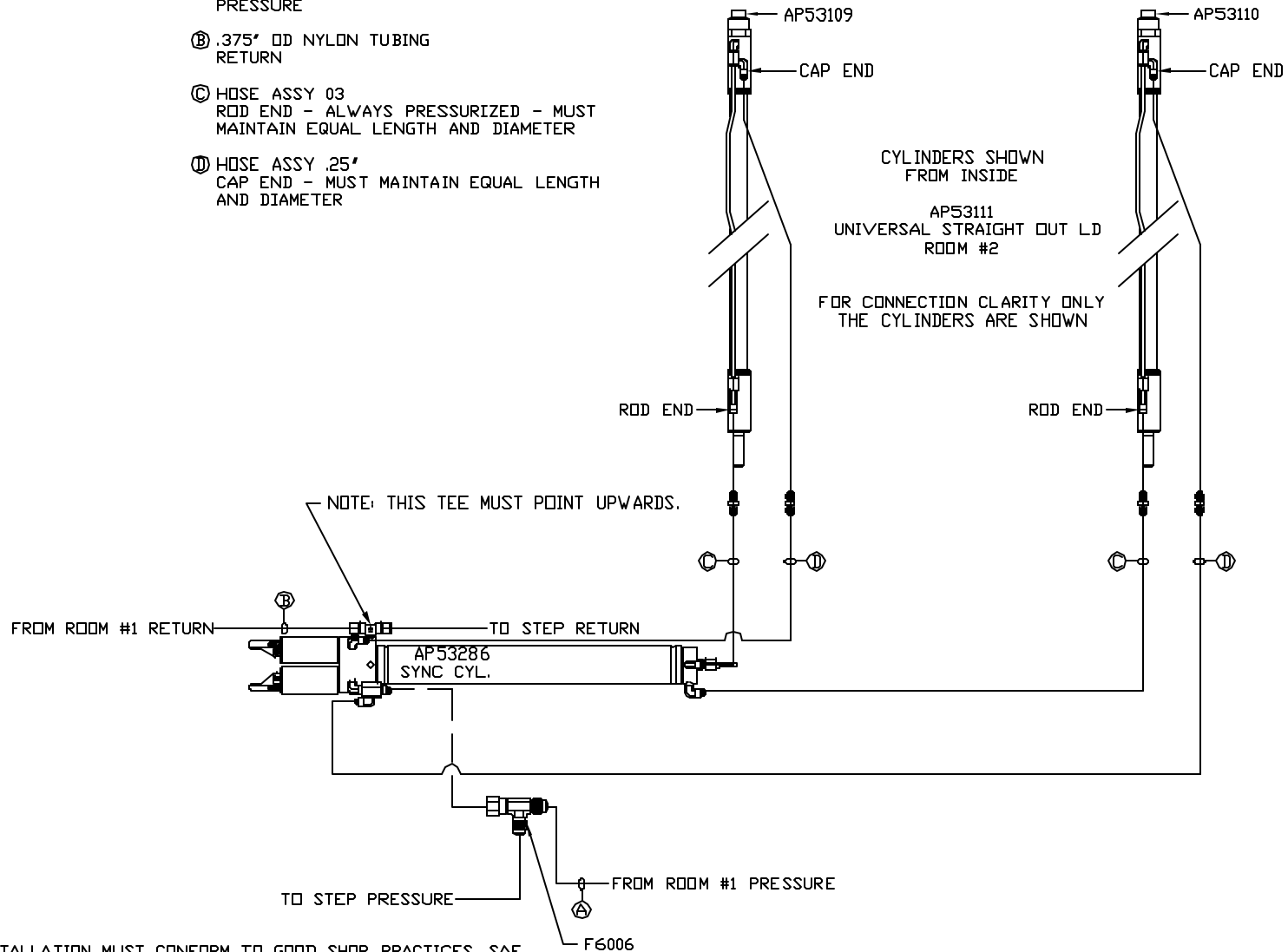
- Ⓐ HOSE ASSY .25' PRESSURE
- Ⓑ .375" OD NYLON TUBING RETURN
- Ⓒ HOSE ASSY 03
ROD END - ALWAYS PRESSURIZED - MUST MAINTAIN EQUAL LENGTH AND DIAMETER
- Ⓓ HOSE ASSY .25'
CAP END - MUST MAINTAIN EQUAL LENGTH AND DIAMETER



NOTE: INSTALLATION MUST CONFORM TO GOOD SHOP PRACTICES, SAE STANDARDS, RVIA STANDARDS, AND OTHER APPLICABLE STANDARDS.

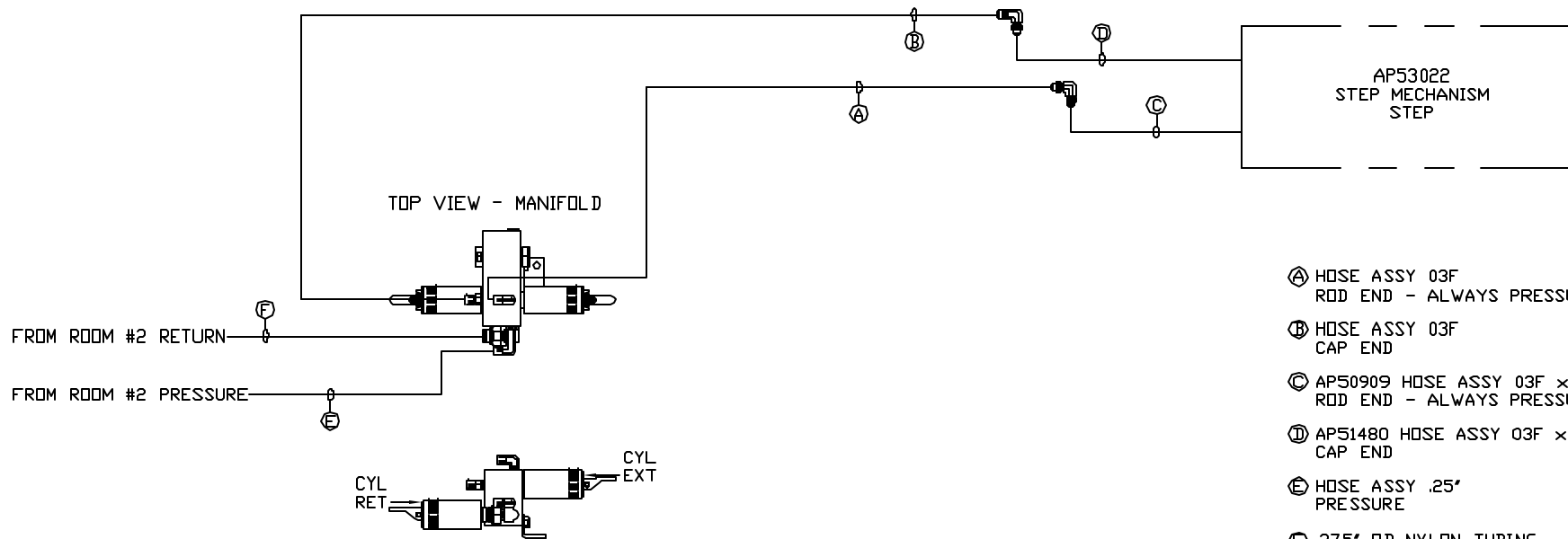
MP70762 B/D
27FEB14

- Ⓐ HOSE ASSY .25' PRESSURE
- Ⓑ .375" OD NYLON TUBING RETURN
- Ⓒ HOSE ASSY 03
ROD END - ALWAYS PRESSURIZED - MUST MAINTAIN EQUAL LENGTH AND DIAMETER
- Ⓓ HOSE ASSY .25'
CAP END - MUST MAINTAIN EQUAL LENGTH AND DIAMETER



NOTE: INSTALLATION MUST CONFORM TO GOOD SHOP PRACTICES, SAE STANDARDS, RVIA STANDARDS, AND OTHER APPLICABLE STANDARDS.

MP70762 C/D
27FEB14

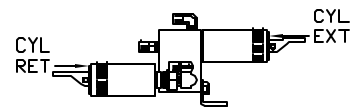


TOP VIEW - MANIFOLD

AP53022
STEP MECHANISM
STEP

FROM ROOM #2 RETURN

FROM ROOM #2 PRESSURE



SIDE VIEW MANIFOLD-AP53283
LOCATION AND ORIENTATION OF
PUMP/MANIFOLD ASSEMBLY WILL
DIFFER DEPENDING UPON D.E.M.

- Ⓐ HOSE ASSY 03F
ROD END - ALWAYS PRESSURIZED
- Ⓑ HOSE ASSY 03F
CAP END
- Ⓒ AP50909 HOSE ASSY 03F x 72"
ROD END - ALWAYS PRESSURIZED
- Ⓓ AP51480 HOSE ASSY 03F x 66"
CAP END
- Ⓔ HOSE ASSY .25"
PRESSURE
- Ⓕ .375" OD NYLON TUBING
RETURN

NOTE: INSTALLATION MUST CONFORM TO GOOD SHOP PRACTICES, SAE STANDARDS, RVIA STANDARDS, AND OTHER APPLICABLE STANDARDS.

MP70762 D/D
27FEB14