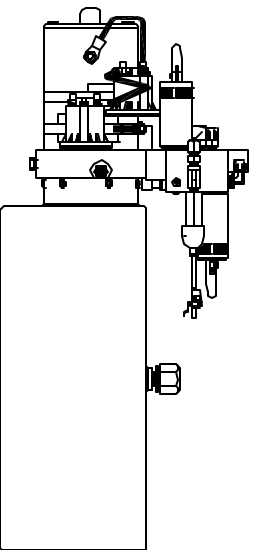
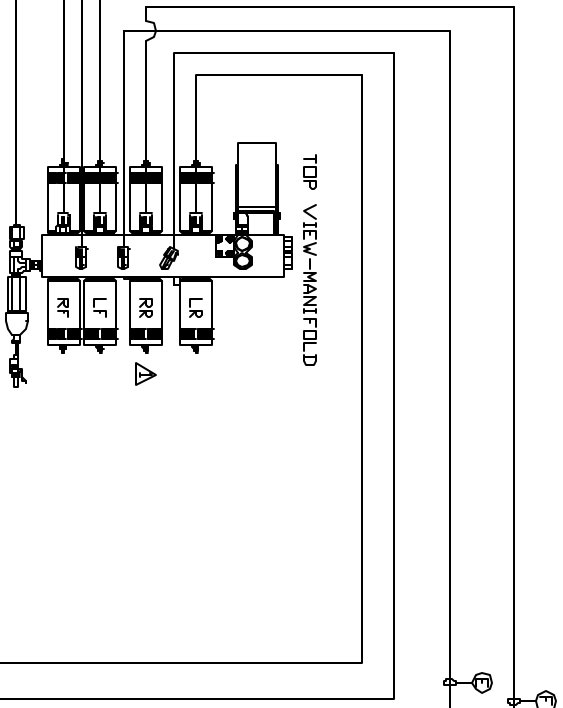
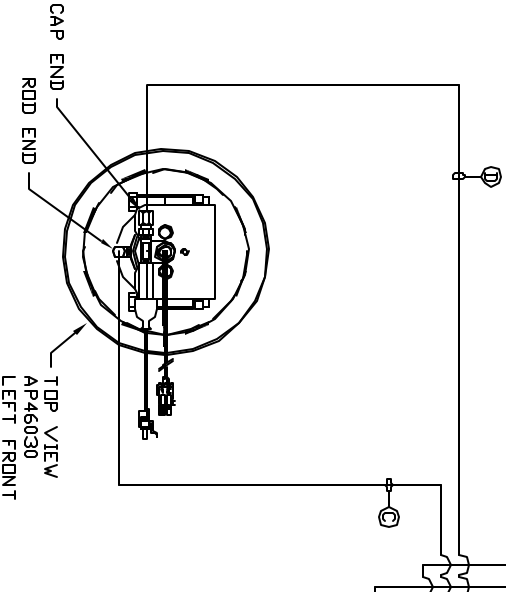
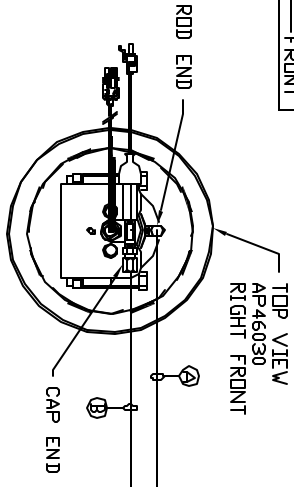
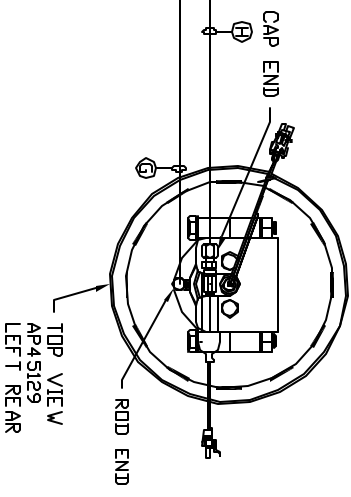
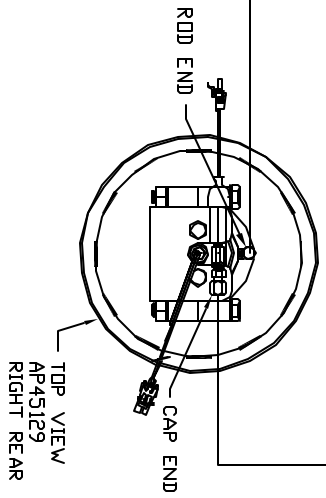


ORIENTATION  
FRONT



SIDE VIEW PUMP/MANIFOLD-AP46306  
LOCATION AND ORIENTATION OF  
PUMP/MANIFOLD ASSEMBLY WILL  
DIFFER DEPENDING UPON DEM.



- Ⓐ AP11212 HOSE ASSY .25' x 207' - RF RDD END
- Ⓑ AP46310 HOSE ASSY .25/05 x 192' - RF CAP END
- Ⓒ AP6601 HOSE ASSY .25' x 198' - LF RDD END
- Ⓓ AP43436 HOSE ASSY .25/05 x 180' - LF CAP END
- Ⓔ AP6218 HOSE ASSY .25' x 480' - RR RDD END
- Ⓕ AP44662 HOSE ASSY .25/05 x 456' - RR CAP END
- Ⓖ AP7141 HOSE ASSY .25' x 460' - LR RDD END
- Ⓗ AP49418 HOSE ASSY .25/05 x 444' - LR CAP END

NOTE: INSTALLATION MUST CONFORM TO GOOD SHOP PRACTICES, SAE STANDARDS, RVIA STANDARDS, AND OTHER APPLICABLE STANDARDS.

LEVELING SYSTEM: AP53118

NO.	DATE	REVISION
1	06MAY15	CORR. CAP / RDD

THE INFORMATION DISCLOSED IN THIS DRAWING IS CONFIDENTIAL AND MUST NOT BE DISCLOSED OR USED IN ANY MANNER WHICH WILL BE DETRIMENTAL TO THE IAH CORPORATION

SCALE: 1:6 DATE: 27FEB14 DRAWN BY: HWH

1-80 EXT 267 SOUTH  
RT 1 MOSCOW, IOWA 52760

HYD CONN DIAGRAM

MATTHEWS

DRAWING NUMBER  
MP70760