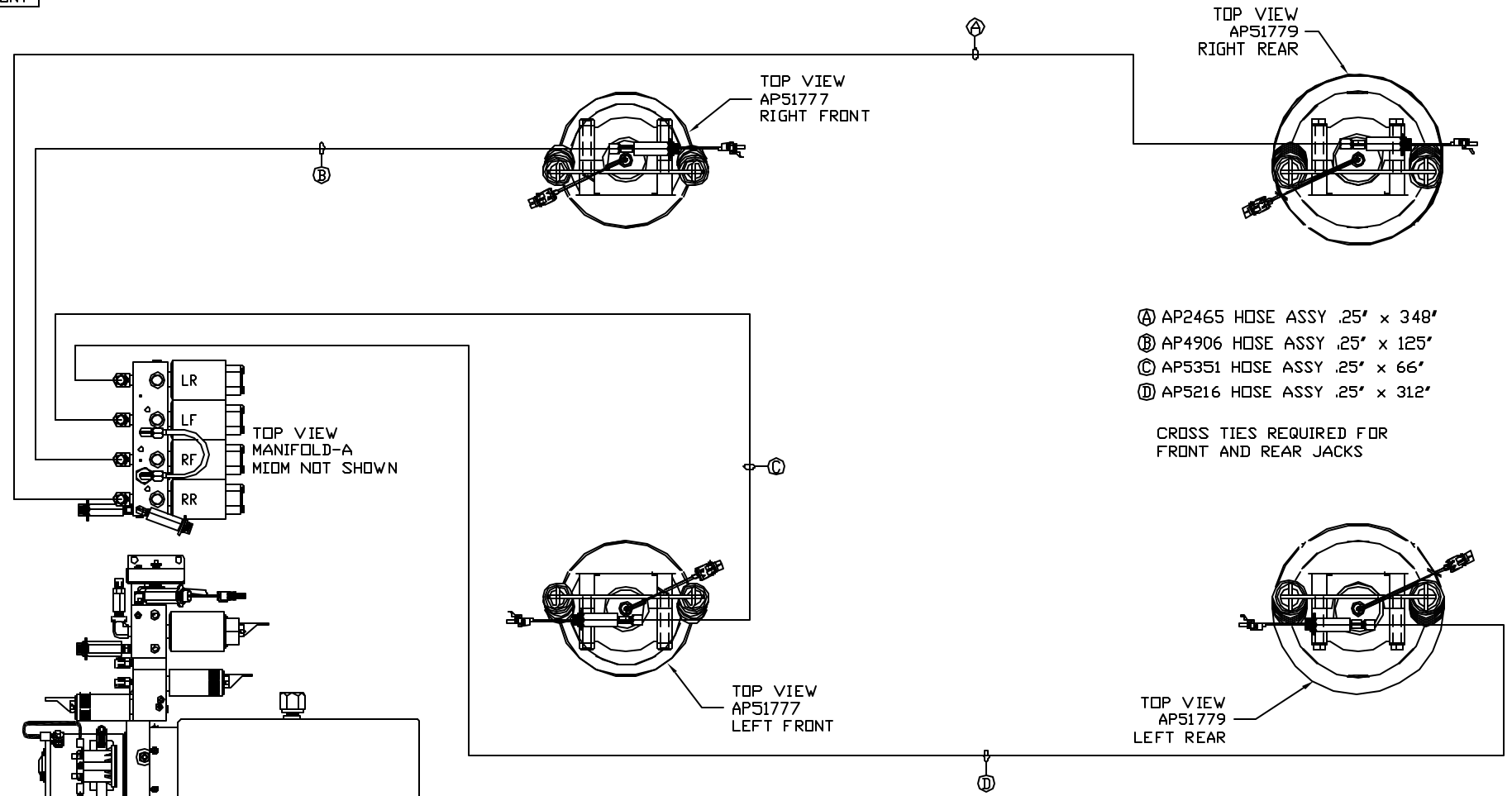


ORIENTATION
 FRONT



SIDE VIEW PUMP/MANIFOLD-AP53059

LOCATION AND ORIENTATION OF PUMP/MANIFOLD ASSEMBLY WILL DIFFER DEPENDING UPON O.E.M.

NOTE: INSTALLATION MUST CONFORM TO GOOD SHOP PRACTICES, SAE STANDARDS, RVIA STANDARDS, AND OTHER APPLICABLE STANDARDS.

LEVELING SYSTEM: AP53065

NO.	DATE	REVISION

HWH I-80 EXIT 267 SOUTH
 RT 1 MOSCOW, IOWA 52760

SCALE 1:6 DATE 22 JAN 14 DRAWN BY .

HYD CONN DIAGRAM

THE INFORMATION DISCLOSED ON THIS DRAWING IS CONFIDENTIAL AND MUST NOT BE DISCLOSED OR USED IN ANY MANNER WHICH WILL BE DETRIMENTAL TO THE HWH CORPORATION

FORETRAVEL

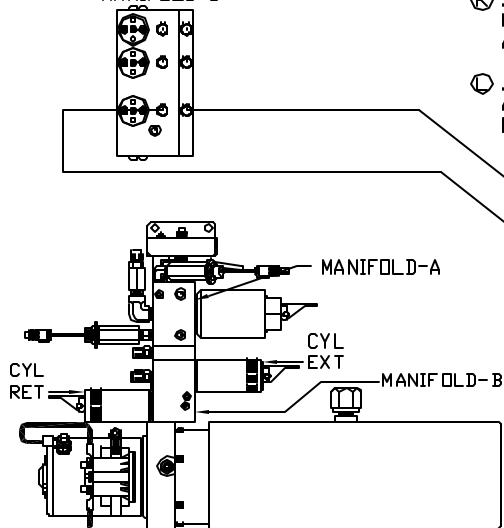
DRAWING NUMBER
 MP70748 A/D

NOTE: HOSES ① AND ② ARE INCLUDED WITH THE ROOM EXTENSION MECHANISM

- Ⓐ .25" ID HOSE
ROD END - ALWAYS PRESSURIZED
- Ⓑ .25" ID HOSE
CAP END (ROOM)
- Ⓒ .25" ID HOSE
ROD END - ALWAYS PRESSURIZED (LIFT)
- Ⓓ .25" ID HOSE
CAP END (ROOM)
- Ⓔ .25" ID HOSE
CAP END (LIFT)
- Ⓕ .25" ID HOSE
CAP END (ROOM)

- Ⓖ .188" ID HOSE
ROD END - ALWAYS PRESSURIZED
HOSES MUST BE HIGH PRESSURE
HOSES OF EQUAL LENGTH AND DIAMETER
- Ⓗ .25" ID HOSE
CAP END - HOSES MUST MAINTAIN
EQUAL LENGTH AND DIAMETER
- ① AP24632 HOSE ASSY HWH02HP x 48'
ROD END - ALWAYS PRESSURIZED -
MUST BE HIGH PRESSURE HOSES OF
EQUAL LENGTH AND DIAMETER
- ② AP24818 HOSE ASSY HWH02HP x 86'
CAP END - MUST MAINTAIN EQUAL
LENGTH AND DIAMETER
- Ⓚ .25" ID HOSE CAP END (LIFT)
MUST MAINTAIN EQUAL LENGTH
AND DIAMETER
- Ⓛ .25" ID HOSE ROD END (LIFT)
ALWAYS PRESSURIZED - MUST MAINTAIN
EQUAL LENGTH AND DIAMETER

FRONT VIEW
MANIFOLD-B

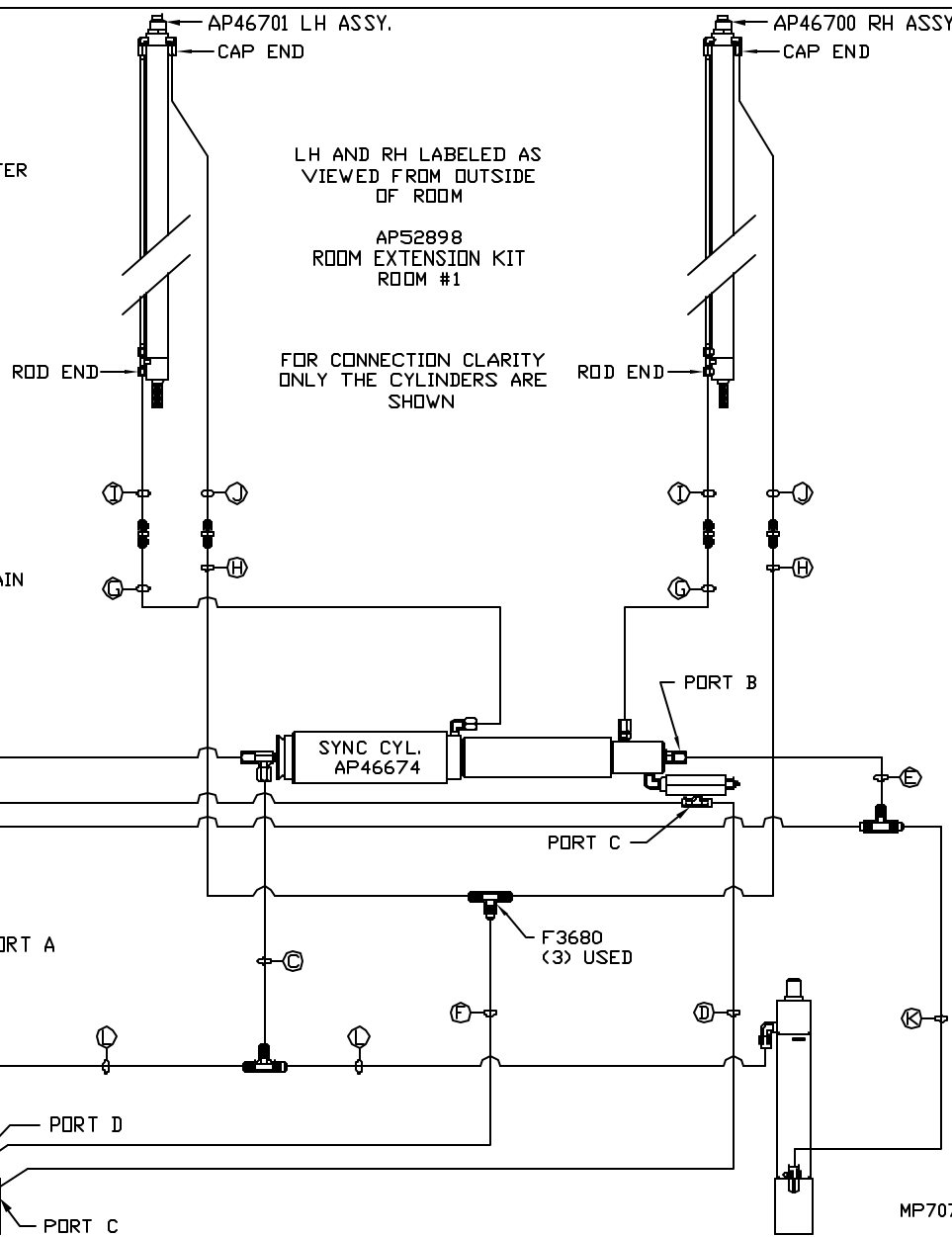


SIDE VIEW PUMP/MANIFOLD-AP53059

LOCATION AND ORIENTATION OF
PUMP/MANIFOLD ASSEMBLY WILL
DIFFER DEPENDING UPON O.E.M.

NOTE: GENERIC VIEWS FOR CLARITY. CYLINDERS MAY BE REVERSED

NOTE: INSTALLATION MUST CONFORM TO GOOD SHOP PRACTICES, SAE
STANDARDS, RVIA STANDARDS, AND OTHER APPLICABLE STANDARDS.



LH AND RH LABELED AS
VIEWED FROM OUTSIDE
OF ROOM

AP52898
ROOM EXTENSION KIT
ROOM #1

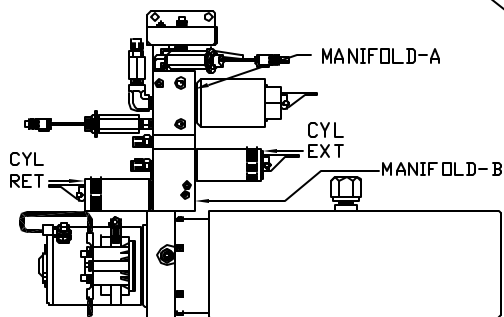
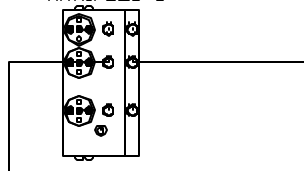
FOR CONNECTION CLARITY
ONLY THE CYLINDERS ARE
SHOWN

NOTE: HOSES ① AND ② ARE INCLUDED WITH THE ROOM EXTENSION MECHANISM

- Ⓐ .25" ID HOSE
ROD END - ALWAYS PRESSURIZED
- Ⓑ .25" ID HOSE
CAP END (ROOM)
- Ⓒ .25" ID HOSE
ROD END - ALWAYS PRESSURIZED (LIFT)
- Ⓓ .25" ID HOSE
CAP END (ROOM)
- Ⓔ .25" ID HOSE
CAP END (LIFT)
- Ⓕ .25" ID HOSE
CAP END (ROOM)

- Ⓖ .188" ID HOSE
ROD END - ALWAYS PRESSURIZED
HOSES MUST BE HIGH PRESSURE
HOSES OF EQUAL LENGTH AND DIAMETER
- Ⓗ .25" ID HOSE
CAP END - HOSES MUST MAINTAIN
EQUAL LENGTH AND DIAMETER
- ① AP24632 HOSE ASSY HWH02HP x 48'
ROD END - ALWAYS PRESSURIZED -
MUST BE HIGH PRESSURE HOSES OF
EQUAL LENGTH AND DIAMETER
- ② AP24818 HOSE ASSY HWH02HP x 86'
CAP END - MUST MAINTAIN EQUAL
LENGTH AND DIAMETER
- Ⓚ .25" ID HOSE CAP END (LIFT)
MUST MAINTAIN EQUAL LENGTH
AND DIAMETER
- Ⓛ .25" ID HOSE ROD END (LIFT)
ALWAYS PRESSURIZED - MUST MAINTAIN
EQUAL LENGTH AND DIAMETER

FRONT VIEW
MANIFOLD-B



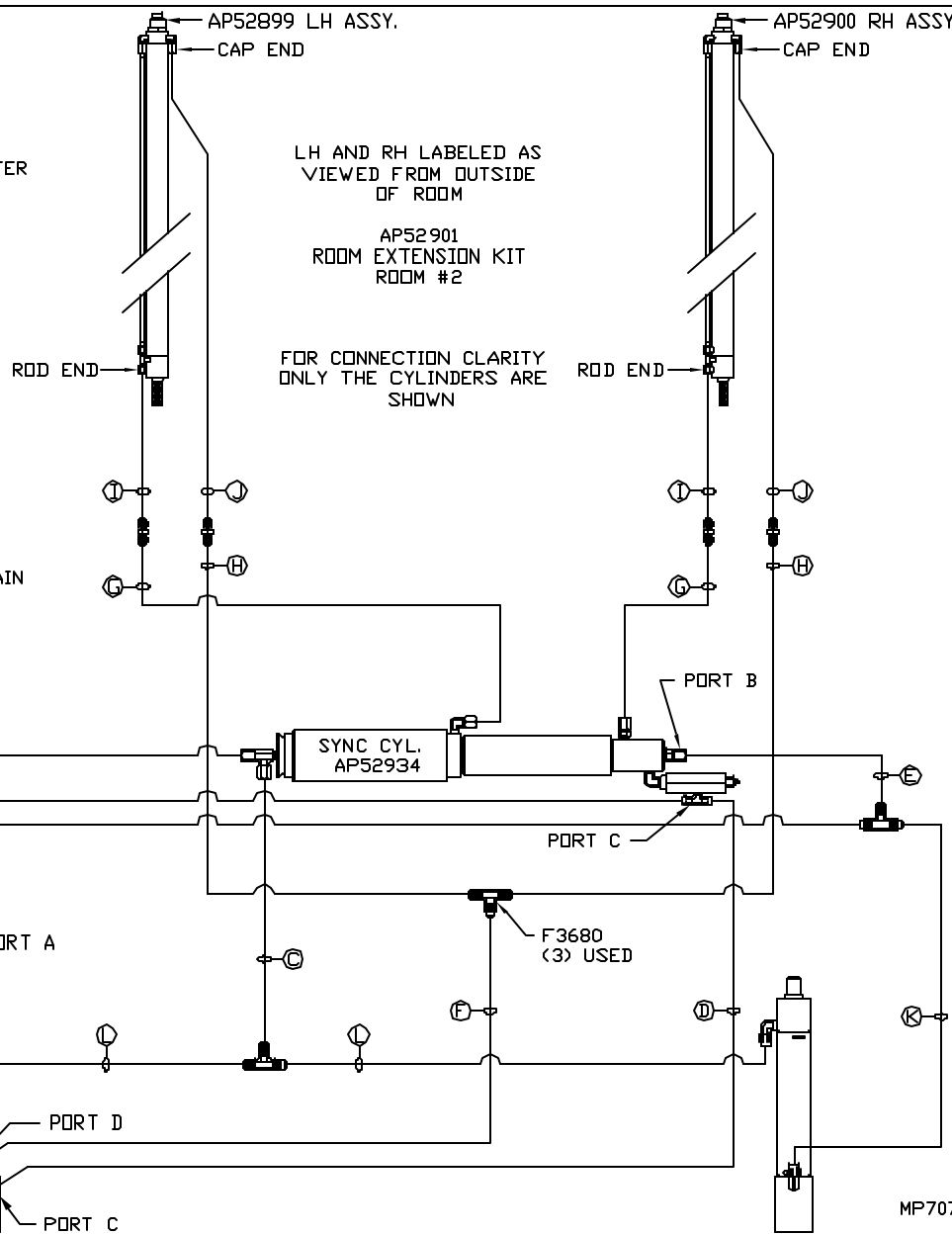
SIDE VIEW PUMP/MANIFOLD-AP53059

LOCATION AND ORIENTATION OF
PUMP/MANIFOLD ASSEMBLY WILL
DIFFER DEPENDING UPON O.E.M.

CYL ASSY
(PART OF
PLATFORM ASSY.)

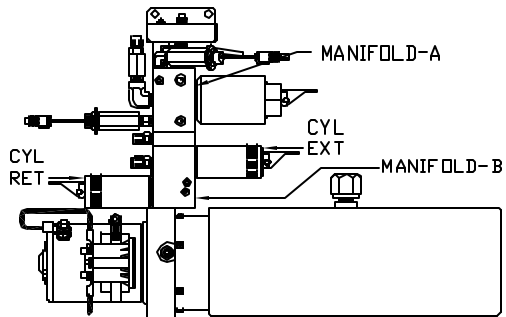
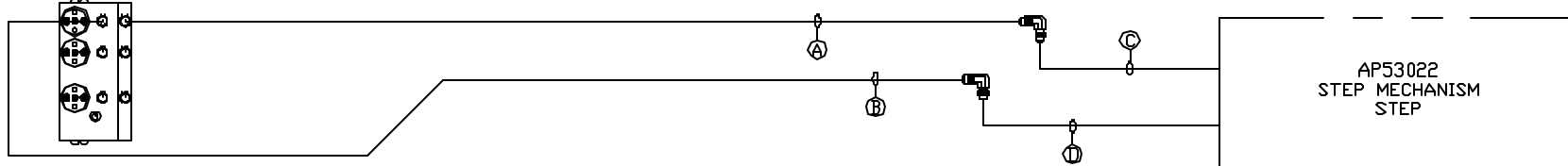
NOTE: GENERIC VIEWS FOR CLARITY. CYLINDERS MAY BE REVERSED

NOTE: INSTALLATION MUST CONFORM TO GOOD SHOP PRACTICES, SAE STANDARDS, RVIA STANDARDS, AND OTHER APPLICABLE STANDARDS.



MP70748 C/D
22JAN14

FRONT VIEW
MANIFOLD-B



SIDE VIEW PUMP/MANIFOLD-AP53059

LOCATION AND ORIENTATION OF
PUMP/MANIFOLD ASSEMBLY WILL
DIFFER DEPENDING UPON O.E.M.

- Ⓐ HOSE ASSY 03F
ROD END - ALWAYS PRESSURIZED
- Ⓑ HOSE ASSY 03F
CAP END
- Ⓒ AP50909 HOSE ASSY 03F x 72"
ROD END - ALWAYS PRESSURIZED
- Ⓓ AP51480 HOSE ASSY 03F x 66"
CAP END

NOTE: INSTALLATION MUST CONFORM TO GOOD SHOP PRACTICES, SAE
STANDARDS, RVIA STANDARDS, AND OTHER APPLICABLE STANDARDS.

MP70748 D/D
22JAN14