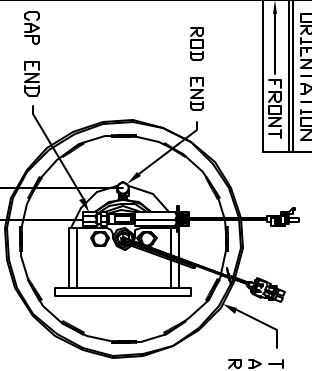
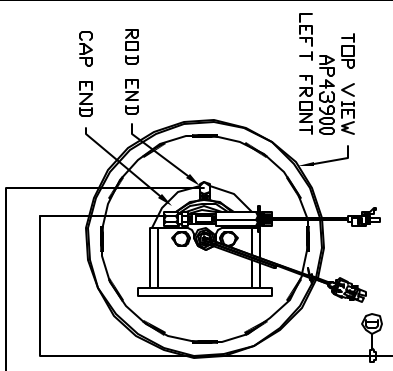


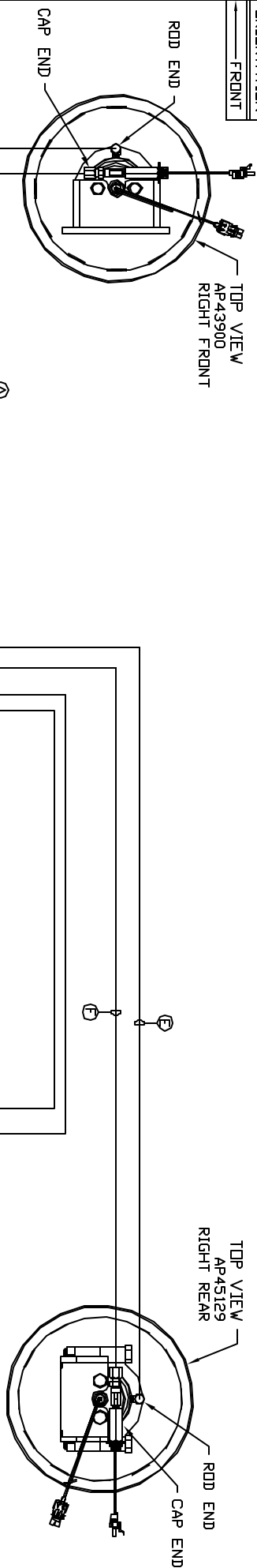
ORIENTATION
FRONT



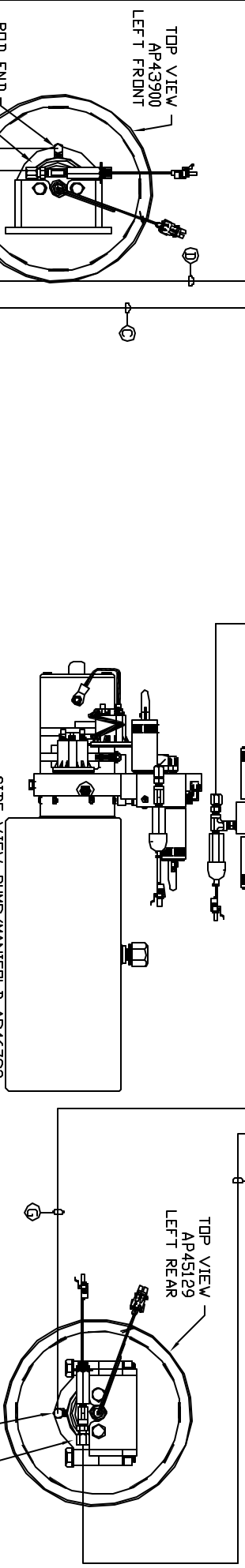
TOP VIEW
AP43900
RIGHT FRONT



TOP VIEW
AP43900
LEFT FRONT



TOP VIEW
AP45129
RIGHT REAR



SIDE VIEW PUMP/MANIFOLD-AP46783

LOCATION AND ORIENTATION OF
PUMP/MANIFOLD ASSEMBLY WILL
DIFFER DEPENDING UPON DEM.

- Ⓐ AP5351 HOSE ASSY .25' x 66' - RF RODD END
- Ⓑ AP46313 HOSE ASSY .25/05 x 48' - RF CAP END
- Ⓒ AP2445 HOSE ASSY .25' x 90' - LF RODD END
- Ⓓ AP43306 HOSE ASSY .25/05 x 72' - LF CAP END
- Ⓔ AP7131 HOSE ASSY .25' x 496' - RR RODD END
- Ⓕ AP47474 HOSE ASSY .25/05 x 480' - RR CAP END
- Ⓖ AP7175 HOSE ASSY .25' x 530' - LR RODD END
- Ⓗ AP44663 HOSE ASSY .25/05 x 504' - LR CAP END

NOTE: INSTALLATION MUST CONFORM TO GOOD SHIP PRACTICES, SAE STANDARDS, RVIA STANDARDS, AND OTHER APPLICABLE STANDARDS.

LEVELING SYSTEM AP52278

NO.	DATE	REVISION

THE INFORMATION DISCLOSED IN THIS DRAWING IS CONFIDENTIAL AND MUST NOT BE DISCLOSED OR USED IN ANY MANNER WHICH WILL BE DETRIMENTAL TO THE IHH CORPORATION

HW H 1-80 EXIT 267 SOUTH
RT 1 MOSCOV, IOWA 52760

SCALE 1:6 DATE 14AUG13 DRAWN BY .

HYD CONN DIAGRAM

DRAWING NUMBER
MP70644