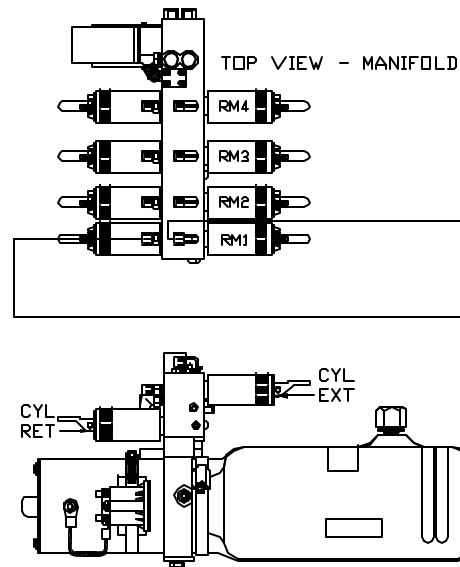


NOTE: HOSES (C) AND (F) ARE INCLUDED WITH THE ROOM EXTENSION MECHANISM

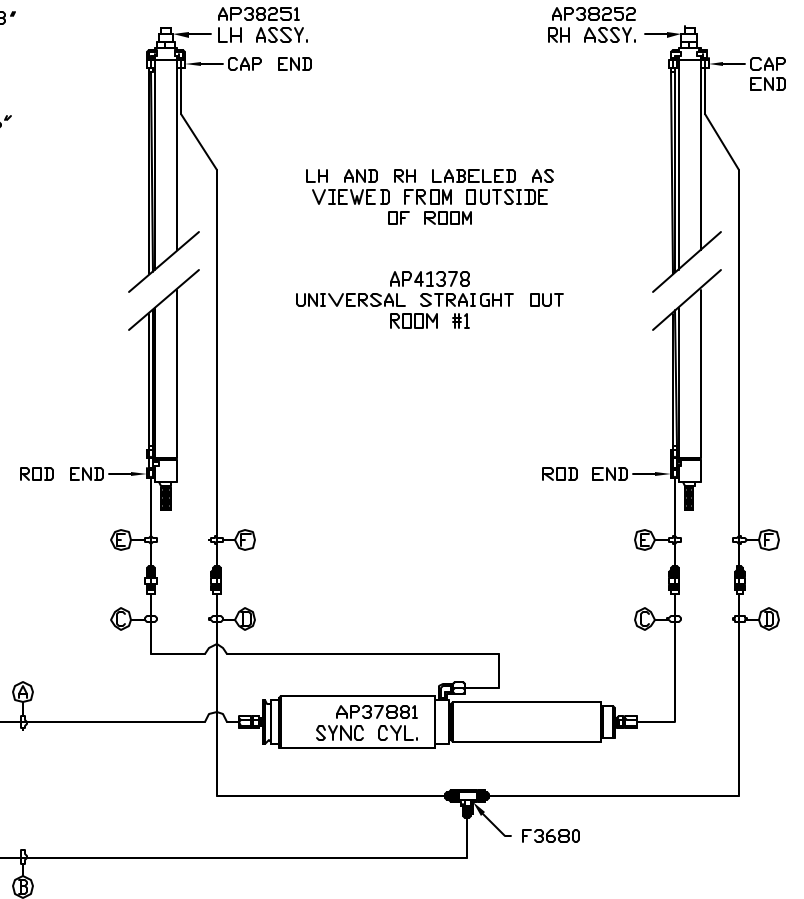
- (A) .25 ID HOSE
ROD END - ALWAYS PRESSURIZED
- (B) .25 ID HOSE
CAP END
- (C) .03 HOSE
ROD END - ALWAYS PRESSURIZED
HOSES MUST MAINTAIN EQUAL LENGTH AND DIAMETER
- (D) .25 ID HOSE
CAP END - HOSES MUST MAINTAIN EQUAL LENGTH AND DIAMETER

- (E) AP24632 HOSE ASSY HWH02HP x 48"
ROD END - ALWAYS PRESSURIZED
HOSES MUST MAINTAIN EQUAL LENGTH AND DIAMETER
- (F) AP24818 HOSE ASSY HWH02HP x 86"
CAP END - MUST MAINTAIN EQUAL LENGTH AND DIAMETER



SIDE VIEW PUMP/MANIFOLD-AP46412

LOCATION AND ORIENTATION OF PUMP/MANIFOLD ASSEMBLY WILL DIFFER DEPENDING UPON O.E.M.



LH AND RH LABELED AS VIEWED FROM OUTSIDE OF ROOM

AP41378
UNIVERSAL STRAIGHT OUT
ROOM #1

NOTE: INSTALLATION MUST CONFORM TO GOOD SHOP PRACTICES, SAE STANDARDS, RVIA STANDARDS, AND OTHER APPLICABLE STANDARDS.

CONTROL PACKAGE: AP51965

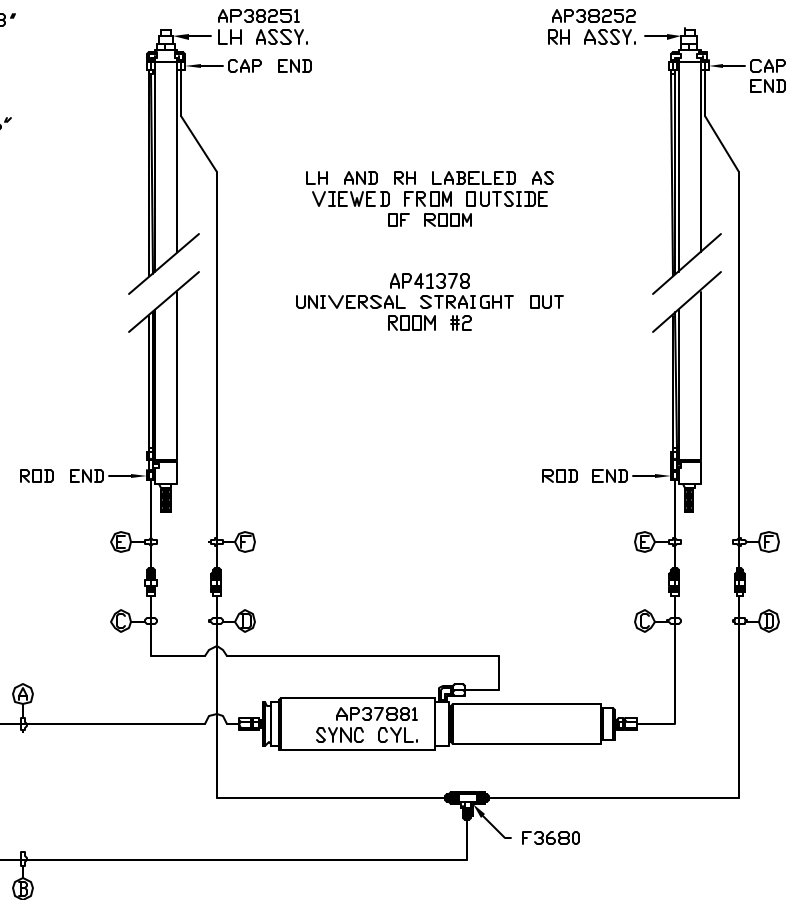
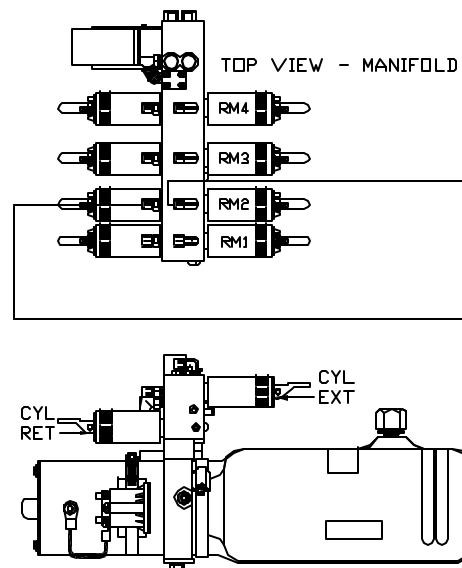
		HWH		I-80 EXIT 267 SOUTH RT 1 MOSCOW, IOWA 52760	
		SCALE 1:6	DATE 14AUG13	DRAWN BY .	
1	07MAY15	CORRECTED TYPOS			
NO.	DATE	REVISION			
HYD CONN DIAGRAM					
K&D CUSTOM COACH				DRAWING NUMBER MP70643 A/D	

THE INFORMATION DISCLOSED ON THIS DRAWING IS CONFIDENTIAL AND MUST NOT BE DISCLOSED OR USED IN ANY MANNER WHICH WILL BE DETRIMENTAL TO THE HWH CORPORATION

NOTE: HOSES (C) AND (F) ARE INCLUDED WITH THE ROOM EXTENSION MECHANISM

- (A) .25 ID HOSE
ROD END - ALWAYS PRESSURIZED
- (B) .25 ID HOSE
CAP END
- (C) .03 HOSE
ROD END - ALWAYS PRESSURIZED
HOSES MUST MAINTAIN EQUAL LENGTH AND DIAMETER
- (D) .25 ID HOSE
CAP END - HOSES MUST MAINTAIN EQUAL LENGTH AND DIAMETER

- (E) AP24632 HOSE ASSY HWH02HP x 48"
ROD END - ALWAYS PRESSURIZED
HOSES MUST MAINTAIN EQUAL LENGTH AND DIAMETER
- (F) AP24818 HOSE ASSY HWH02HP x 86"
CAP END - MUST MAINTAIN EQUAL LENGTH AND DIAMETER



NOTE: INSTALLATION MUST CONFORM TO GOOD SHOP PRACTICES, SAE STANDARDS, RVIA STANDARDS, AND OTHER APPLICABLE STANDARDS.

MP70643 B/D
07MAY15

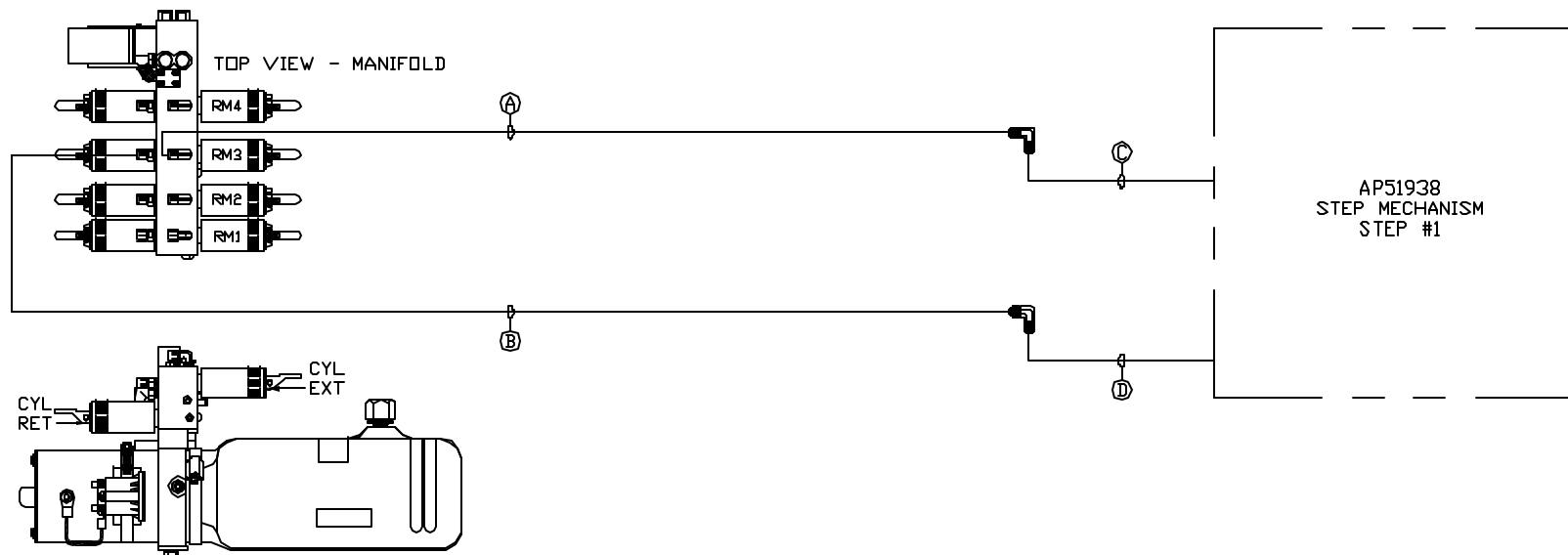
NOTE: HOSES ③ AND ④ ARE INCLUDED WITH THE ROOM EXTENSION MECHANISM

① AP4162 HOSE ASSY .25" X 192"
ROD END - ALWAYS PRESSURIZED

② AP4162 HOSE ASSY .25" X 192"
CAP END

③ AP50909 HOSE ASSY 03F x 72"
ROD END - ALWAYS PRESSURIZED

④ AP51480 HOSE ASSY 03F x 66"
CAP END



SIDE VIEW PUMP/MANIFOLD-AP 46412

LOCATION AND ORIENTATION OF
PUMP/MANIFOLD ASSEMBLY WILL
DIFFER DEPENDING UPON D.E.M.

NOTE: INSTALLATION MUST CONFORM TO GOOD SHOP PRACTICES, SAE
STANDARDS, RVIA STANDARDS, AND OTHER APPLICABLE STANDARDS.

MP70643 C/D
07MAY15

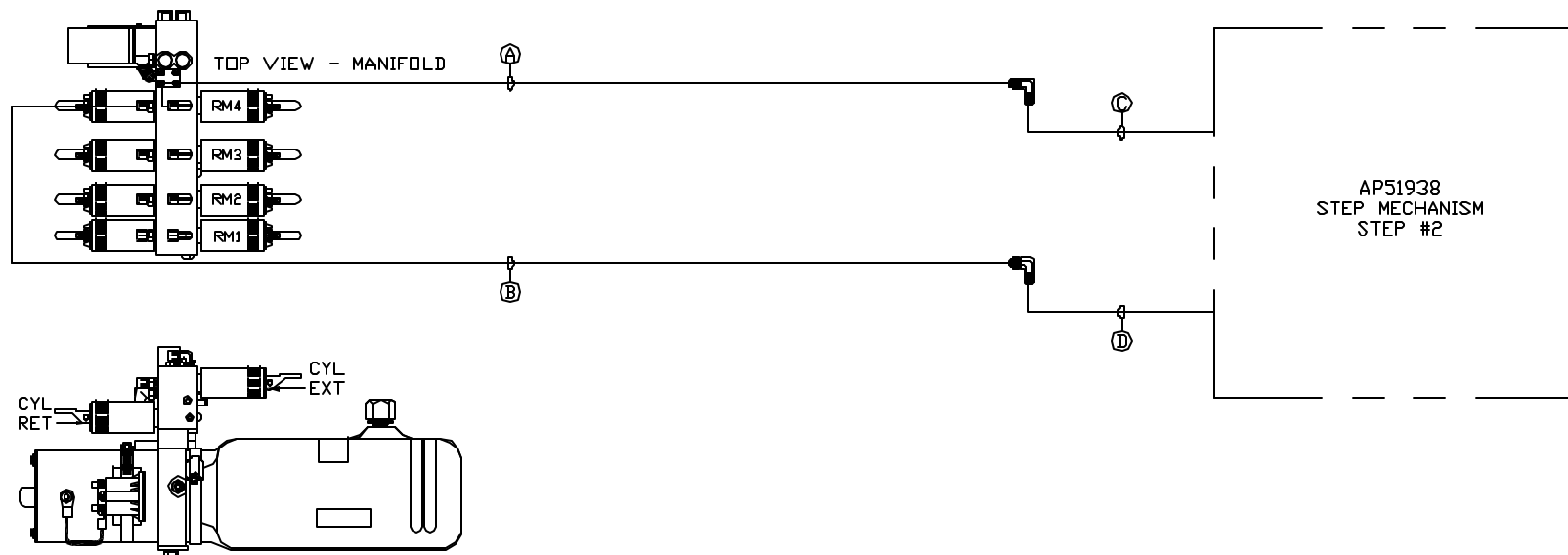
NOTE: HOSES ③ AND ④ ARE INCLUDED WITH THE ROOM EXTENSION MECHANISM

① AP4162 HOSE ASSY .25" X 192"
ROD END - ALWAYS PRESSURIZED

② AP4162 HOSE ASSY .25" X 192"
CAP END

③ AP50909 HOSE ASSY 03F x 72"
ROD END - ALWAYS PRESSURIZED

④ AP51480 HOSE ASSY 03F x 66"
CAP END



SIDE VIEW PUMP/MANIFOLD-AP46412

LOCATION AND ORIENTATION OF
PUMP/MANIFOLD ASSEMBLY WILL
DIFFER DEPENDING UPON D.E.M.

NOTE: INSTALLATION MUST CONFORM TO GOOD SHOP PRACTICES, SAE
STANDARDS, RVIA STANDARDS, AND OTHER APPLICABLE STANDARDS.

MP70643 D/D
07MAY15