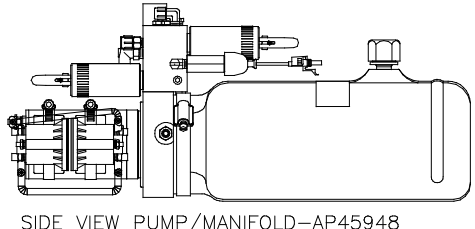
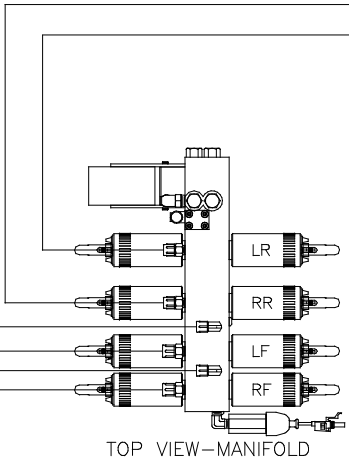
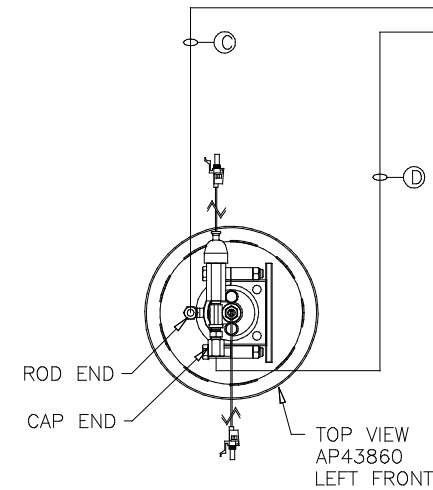
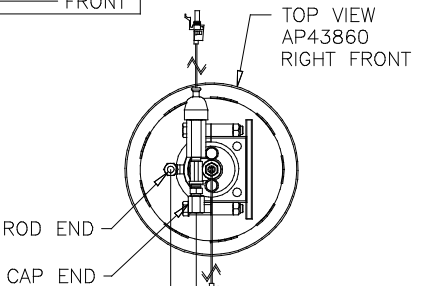
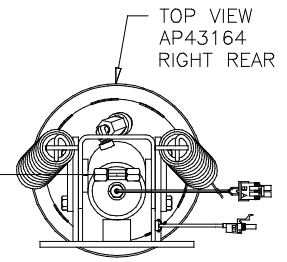


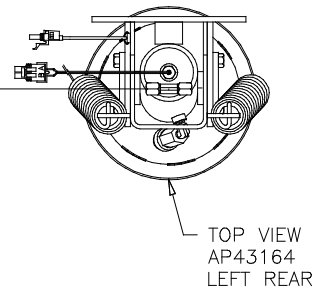
ORIENTATION
FRONT



LOCATION AND ORIENTATION OF PUMP/MANIFOLD ASSEMBLY WILL DIFFER DEPENDING UPON O.E.M.



NOTE: CROSS TIE REQUIRED FOR REAR JACKS



- Ⓐ AP4065 HOSE ASSY .25" x 156" - RF ROD END
- Ⓑ AP43250 HOSE ASSY .25/05" x 120" - RF CAP END
- Ⓒ AP4061 HOSE ASSY .25" x 216" - LF ROD END
- Ⓓ AP43436 HOSE ASSY .25/05" x 180" - LF CAP END
- Ⓔ AP4063 HOSE ASSY .25" X 288" - RR CAP END
- Ⓕ AP4164 HOSE ASSY .25" X 384" - LR CAP END

NOTE: INSTALLATION MUST CONFORM TO GOOD SHOP PRACTICES, SAE STANDARDS, RVIA STANDARDS, AND OTHER APPLICABLE STANDARDS.

LEVELING SYSTEM: AP50623

NO.	DATE	REVISION
THE INFORMATION DISCLOSED ON THIS DRAWING IS CONFIDENTIAL AND MUST NOT BE DISCLOSED OR USED IN ANY MANNER WHICH WILL BE DETRIMENTAL TO THE HWH CORPORATION		

HWH		1-80 EXIT 267 SOUTH RT 1 MOSCOW, IOWA 52760	
SCALE 1:6	DATE 15AUG12	DRAWN BY .	
HYD CONN DIAGRAM			
ROLLINGSTAR			DRAWING NUMBER MP70580