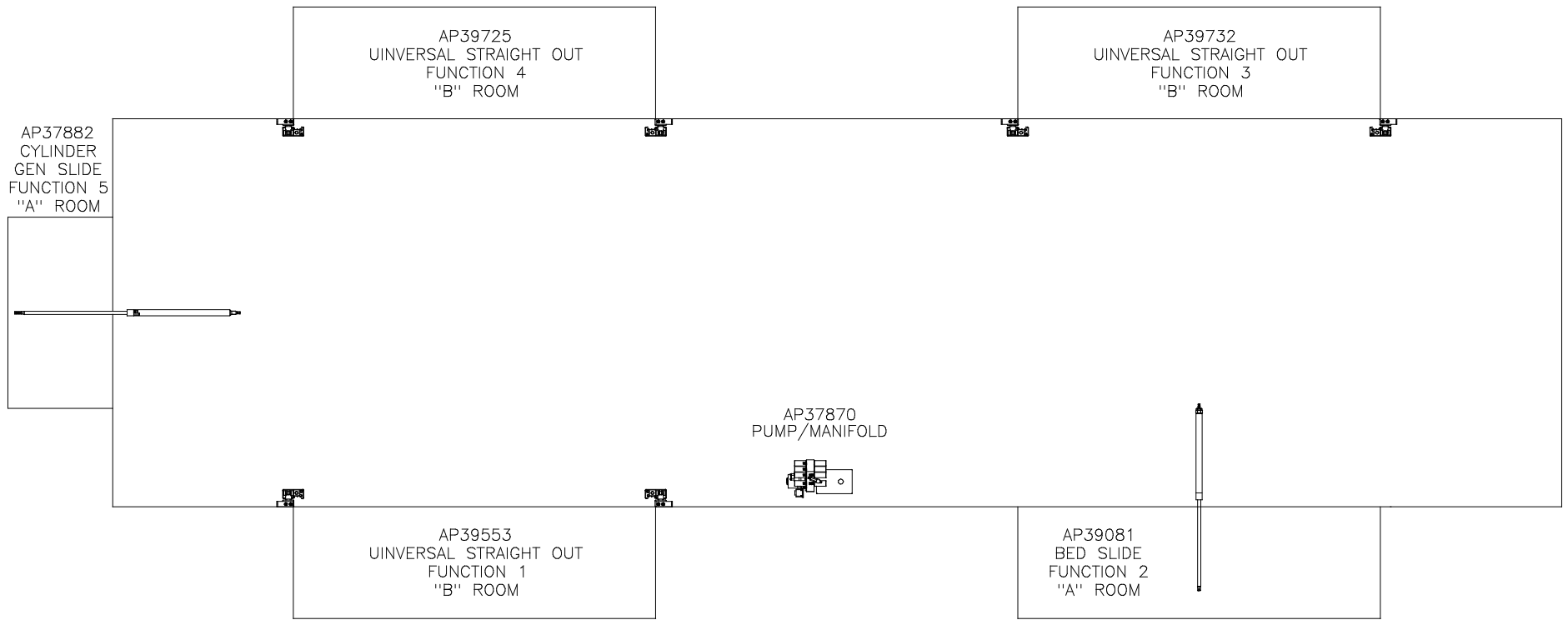


ORIENTATION
 ← FRONT



△	01FEB13	WAS AP39733 & AP39734
NO.	DATE	REVISION

HWH 1-80 EXIT 267 SOUTH
 RT 1 MOSCOW, IOWA 52760

SCALE 1:6 DATE 13JUL12 DRAWN BY .

HYD CONN DIAGRAM

NOTE: INSTALLATION MUST CONFORM TO GOOD SHOP PRACTICES, SAE STANDARDS, RVIA STANDARDS, AND OTHER APPLICABLE STANDARDS.

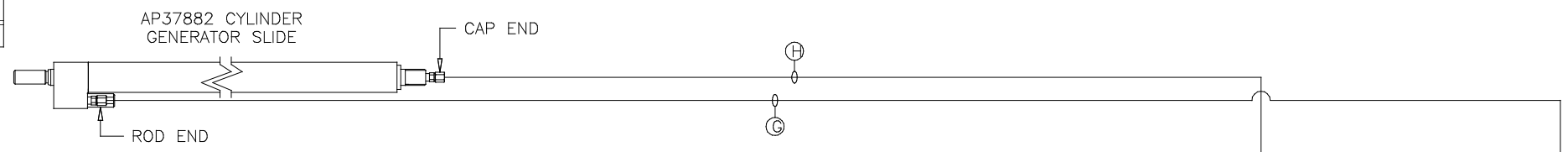
LEVELING SYSTEM: AP48821

THE INFORMATION DISCLOSED ON THIS DRAWING IS CONFIDENTIAL AND MUST NOT BE DISCLOSED OR USED IN ANY MANNER WHICH WILL BE DETRIMENTAL TO THE HWH CORPORATION

FORETRAVEL

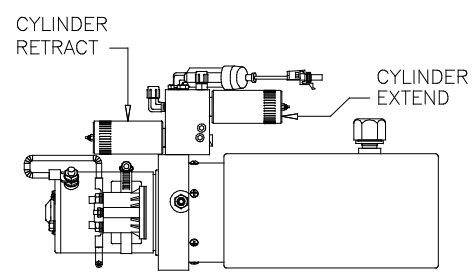
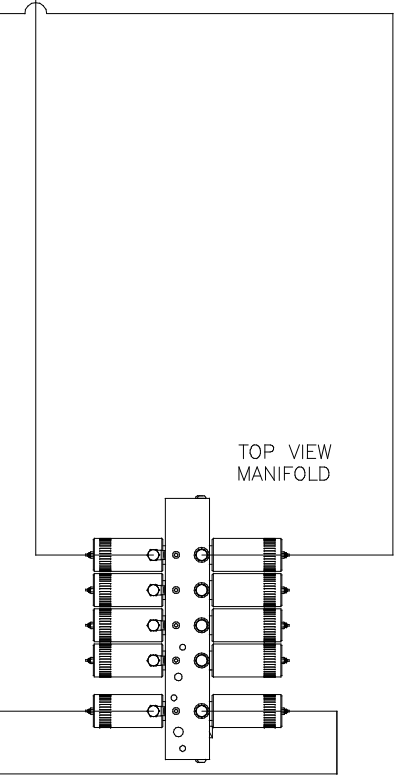
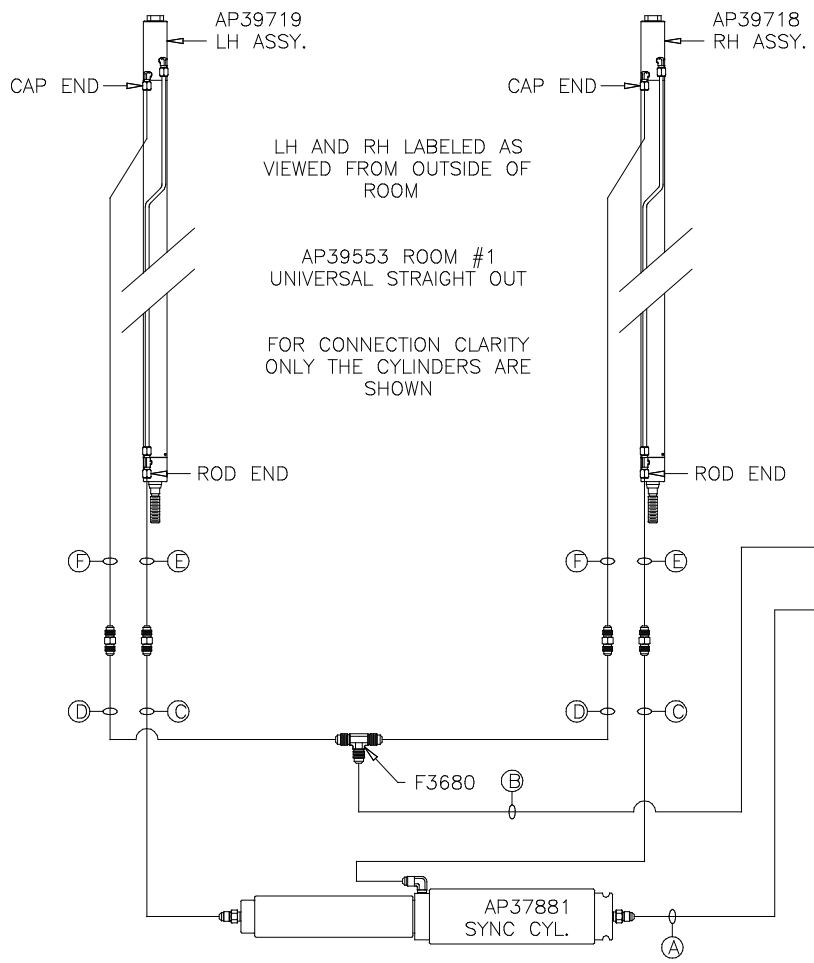
DRAWING NUMBER
 MP70565 A/E

ORIENTATION
FRONT



NOTE: HOSES (E) AND (F) ARE INCLUDED WITH THE ROOM EXTENSION MECHANISM

- (A) AP4074 HOSE ASSY .25" x 108"
ROD END - ALWAYS PRESSURIZED
- (B) AP7099 HOSE ASSY .25" x 110"
CAP END
- (C) AP24667 HOSE ASSY HWH02HP x 312"
ROD END - ALWAYS PRESSURIZED - MUST BE HIGH PRESSURE HOSES OF EQUAL LENGTH AND DIAMETER
- (D) AP5216 HOSE ASSY .25" x 312"
CAP END - MUST MAINTAIN EQUAL LENGTH AND DIAMETER
- (E) AP24632 HOSE ASSY HWH02HP x 48"
ROD END - ALWAYS PRESSURIZED - MUST BE HIGH PRESSURE HOSES OF EQUAL LENGTH AND DIAMETER
- (F) AP24818 HOSE ASSY HWH02HP x 86"
CAP END - MUST MAINTAIN EQUAL LENGTH AND DIAMETER
- (G) AP13851 HOSE ASSY .25" x 318"
ROD END - ALWAYS PRESSURIZED
- (H) AP5216 HOSE ASSY .25" x 312"
CAP END



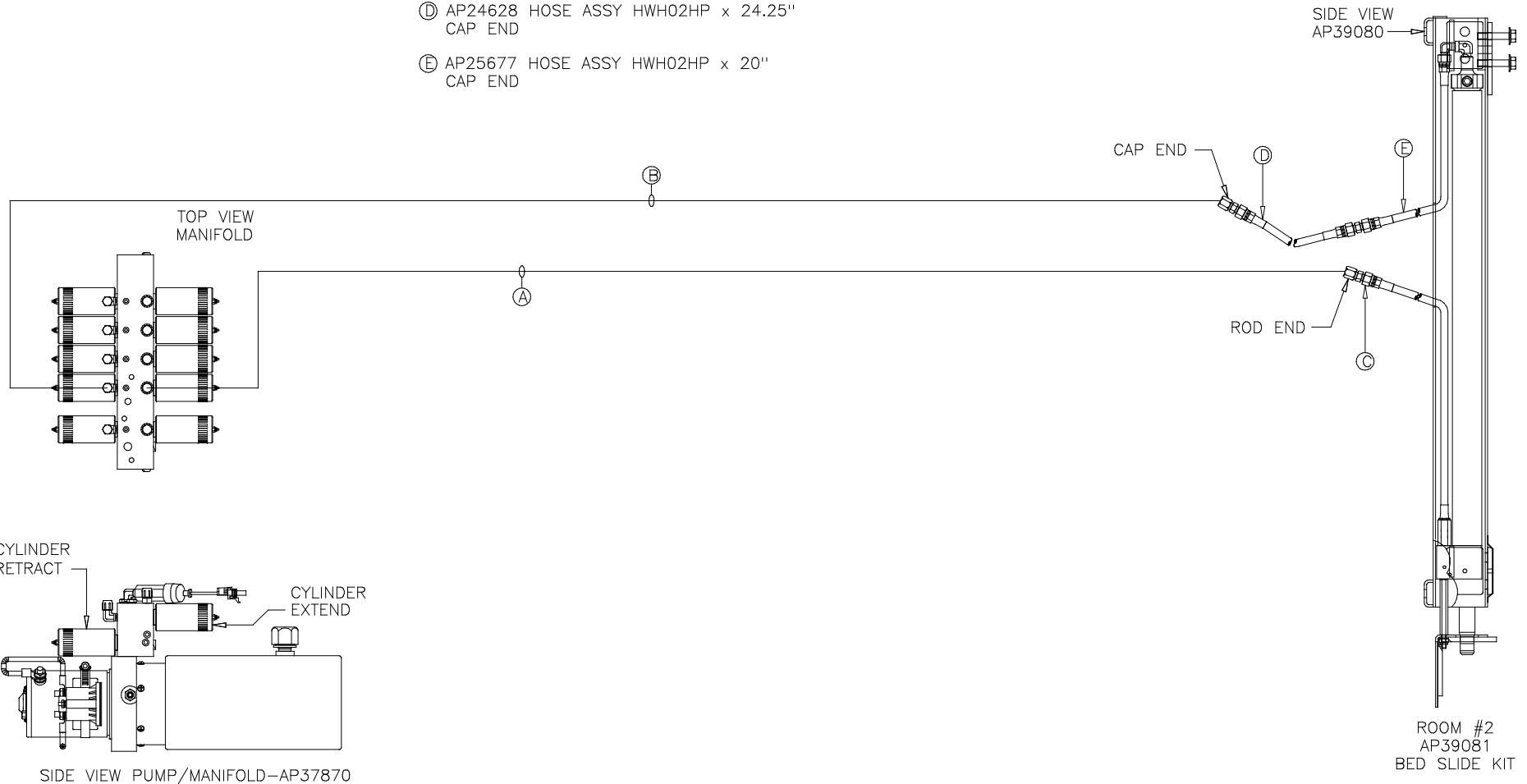
NOTE: INSTALLATION MUST CONFORM TO GOOD SHOP PRACTICES, SAE STANDARDS, RVIA STANDARDS, AND OTHER APPLICABLE STANDARDS.

MP70565 B/E
13JUL12

ORIENTATION
 ← FRONT

NOTE: HOSES ③, ④ AND ⑤ ARE INCLUDED WITH THE ROOM EXTENSION MECHANISM

- ① AP4164 HOSE ASSY .25 x 384"
 ROD END - ALWAYS PRESSURIZED
- ② AP4391 HOSE ASSY .25 x 372"
 CAP END
- ③ AP24632 HOSE ASSY HWH02HP x 48"
 ROD END - ALWAYS PRESSURIZED
- ④ AP24628 HOSE ASSY HWH02HP x 24.25"
 CAP END
- ⑤ AP25677 HOSE ASSY HWH02HP x 20"
 CAP END



SIDE VIEW PUMP/MANIFOLD-AP37870

ROOM #2
 AP39081
 BED SLIDE KIT

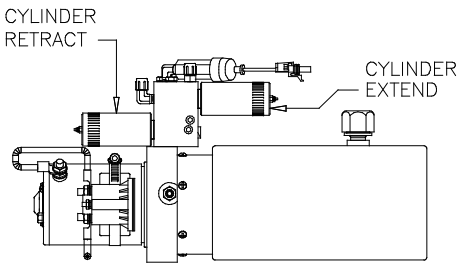
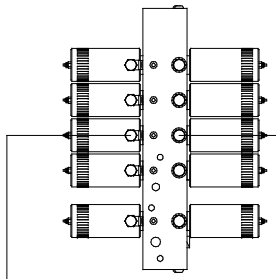
NOTE: INSTALLATION MUST CONFORM TO GOOD SHOP PRACTICES, SAE STANDARDS, RVIA STANDARDS, AND OTHER APPLICABLE STANDARDS.

ORIENTATION
FRONT

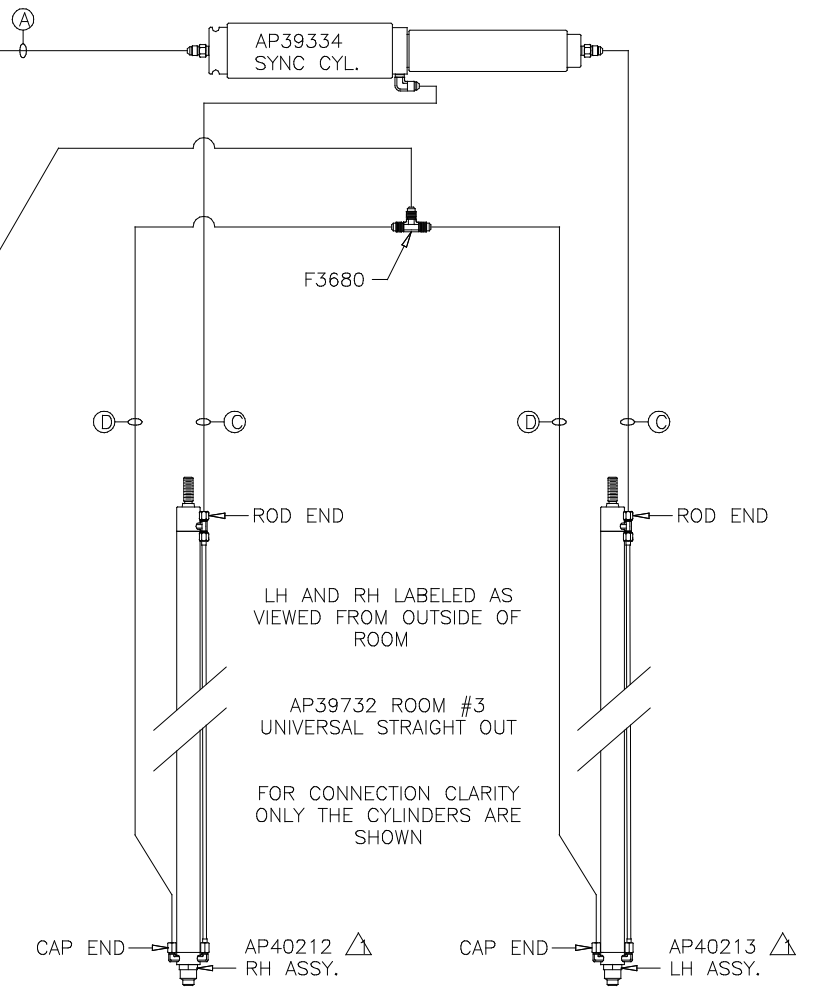
NOTE: HOSES (C) AND (D) ARE INCLUDED WITH THE ROOM EXTENSION MECHANISM

- (A) AP24667 HOSE ASSY HWH02HP x 318" ROD END - ALWAYS PRESSURIZED
- (B) AP2464 HOSE ASSY .25 x 324" CAP END
- (C) AP25086 HOSE ASSY HWH02HP x 78" WAS AP24631 HOSE ASSY HWH02HP x 42" ROD END - ALWAYS PRESSURIZED - MUST BE HIGH PRESSURE HOSES OF EQUAL LENGTH AND DIAMETER
- (D) AP24819 HOSE ASSY HWH02HP x 100" WAS AP24637 HOSE ASSY HWH02HP x 66" CAP END - MUST MAINTAIN EQUAL LENGTH AND DIAMETER

TOP VIEW MANIFOLD



SIDE VIEW PUMP/MANIFOLD-AP37870

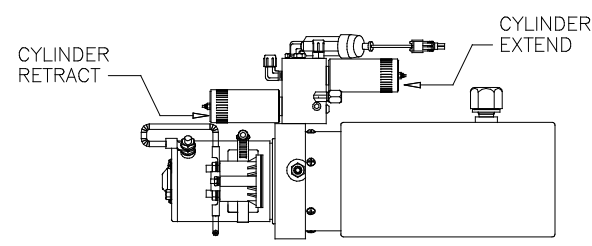
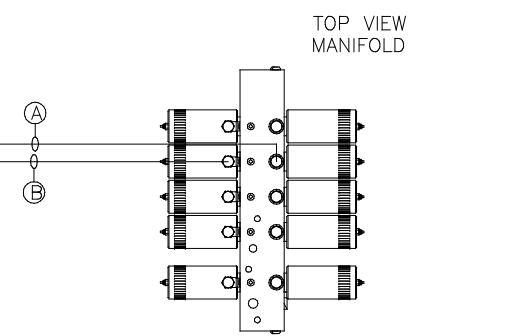
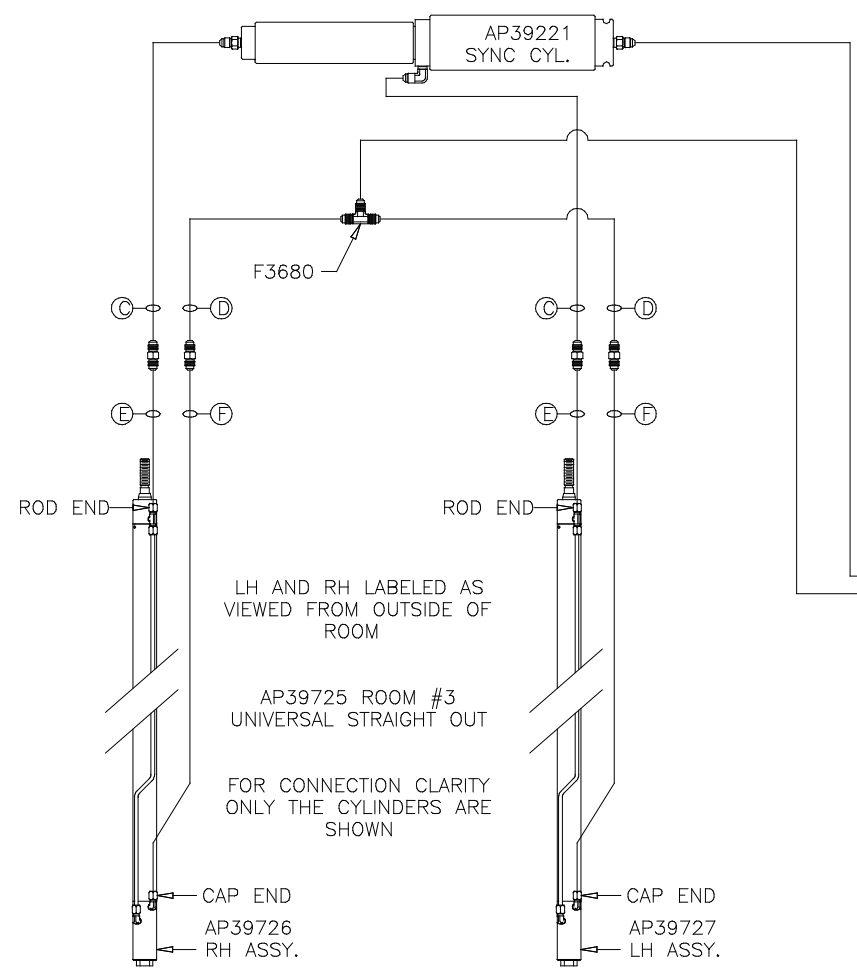


NOTE: INSTALLATION MUST CONFORM TO GOOD SHOP PRACTICES, SAE STANDARDS, RVIA STANDARDS, AND OTHER APPLICABLE STANDARDS.

ORIENTATION
 ← FRONT

NOTE: HOSES (E) AND (F) ARE INCLUDED WITH THE ROOM EXTENSION MECHANISM

- (A) AP4074 HOSE ASSY .25" x 108"
ROD END – ALWAYS PRESSURIZED
- (B) AP7099 HOSE ASSY .25" x 110"
CAP END
- (C) AP24667 HOSE ASSY HWH02HP x 312"
ROD END – ALWAYS PRESSURIZED – MUST BE HIGH PRESSURE HOSES OF EQUAL LENGTH AND DIAMETER
- (D) AP5216 HOSE ASSY .25" x 312"
CAP END – MUST MAINTAIN EQUAL LENGTH AND DIAMETER
- (E) AP24632 HOSE ASSY HWH02HP x 48"
ROD END – ALWAYS PRESSURIZED – MUST BE HIGH PRESSURE HOSES OF EQUAL LENGTH AND DIAMETER
- (F) AP24818 HOSE ASSY HWH02HP x 86"
CAP END – MUST MAINTAIN EQUAL LENGTH AND DIAMETER



NOTE: INSTALLATION MUST CONFORM TO GOOD SHOP PRACTICES, SAE STANDARDS, RVIA STANDARDS, AND OTHER APPLICABLE STANDARDS.

MP70565 E/E
 13JUL12