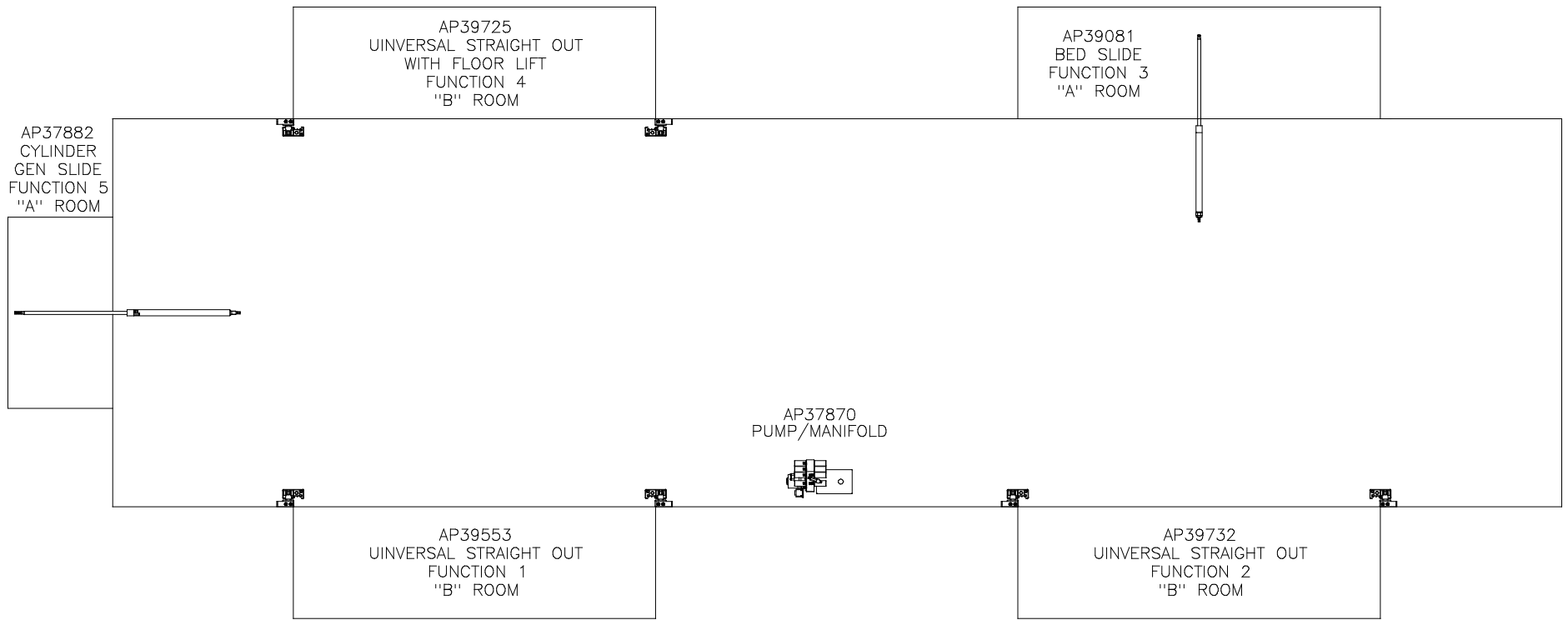


ORIENTATION
 ← FRONT



△	01FEB13	WAS AP39733 & AP39734
NO.	DATE	REVISION

HWH 1-80 EXIT 267 SOUTH
 RT 1 MOSCOW, IOWA 52760
 SCALE 1:6 DATE 13JUL12 DRAWN BY .
 HYD CONN DIAGRAM

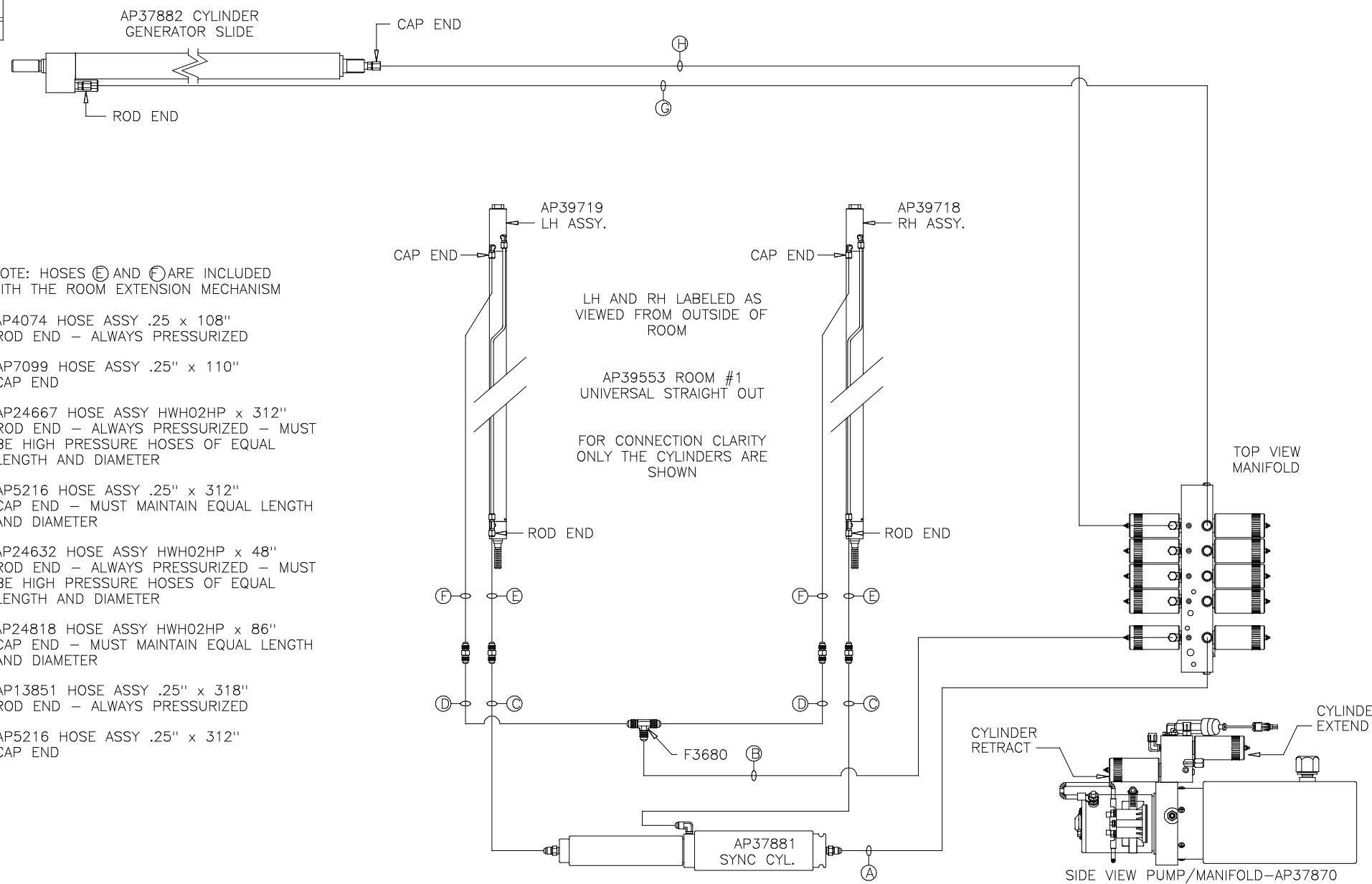
NOTE: INSTALLATION MUST CONFORM TO GOOD SHOP PRACTICES, SAE STANDARDS, RVIA STANDARDS, AND OTHER APPLICABLE STANDARDS.

LEVELING SYSTEM: AP47033

THE INFORMATION DISCLOSED ON THIS DRAWING IS CONFIDENTIAL AND MUST NOT BE DISCLOSED OR USED IN ANY MANNER WHICH WILL BE DETRIMENTAL TO THE HWH CORPORATION

FORETRAVEL DRAWING NUMBER MP70564 A/E

ORIENTATION
FRONT



NOTE: HOSES (E) AND (F) ARE INCLUDED WITH THE ROOM EXTENSION MECHANISM

- (A) AP4074 HOSE ASSY .25" x 108"
ROD END - ALWAYS PRESSURIZED
- (B) AP7099 HOSE ASSY .25" x 110"
CAP END
- (C) AP24667 HOSE ASSY HWH02HP x 312"
ROD END - ALWAYS PRESSURIZED - MUST BE HIGH PRESSURE HOSES OF EQUAL LENGTH AND DIAMETER
- (D) AP5216 HOSE ASSY .25" x 312"
CAP END - MUST MAINTAIN EQUAL LENGTH AND DIAMETER
- (E) AP24632 HOSE ASSY HWH02HP x 48"
ROD END - ALWAYS PRESSURIZED - MUST BE HIGH PRESSURE HOSES OF EQUAL LENGTH AND DIAMETER
- (F) AP24818 HOSE ASSY HWH02HP x 86"
CAP END - MUST MAINTAIN EQUAL LENGTH AND DIAMETER
- (G) AP13851 HOSE ASSY .25" x 318"
ROD END - ALWAYS PRESSURIZED
- (H) AP5216 HOSE ASSY .25" x 312"
CAP END

LH AND RH LABELED AS VIEWED FROM OUTSIDE OF ROOM

AP39553 ROOM #1 UNIVERSAL STRAIGHT OUT

FOR CONNECTION CLARITY ONLY THE CYLINDERS ARE SHOWN

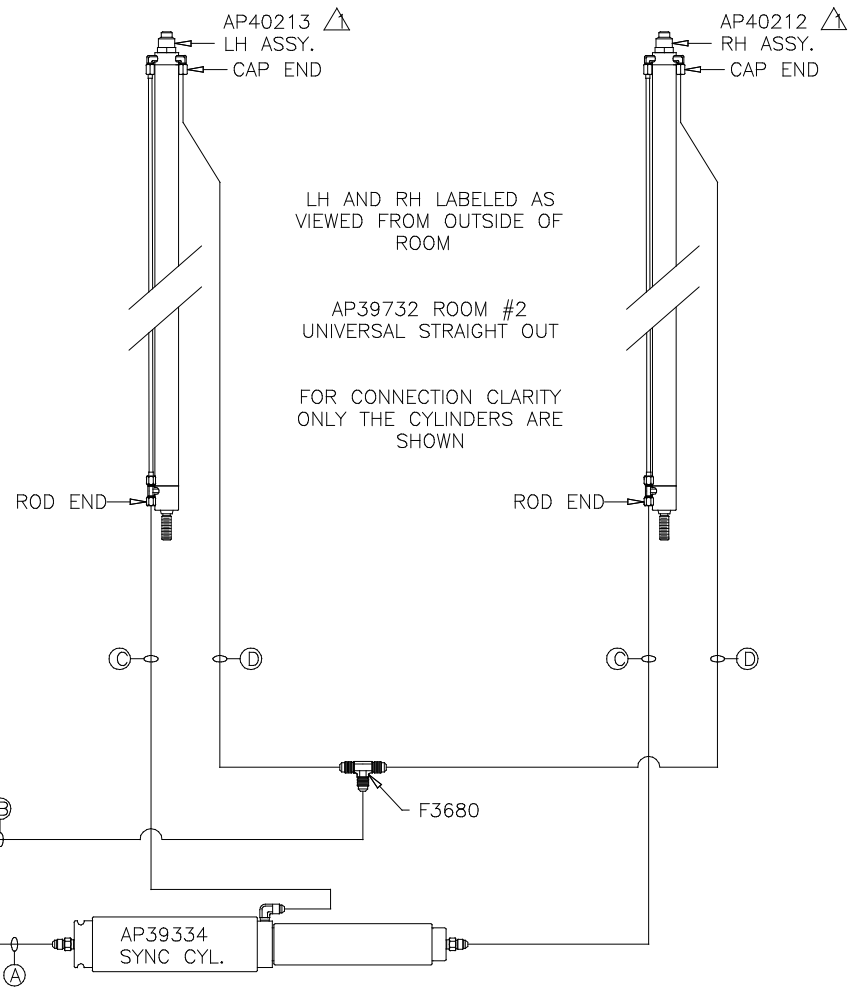
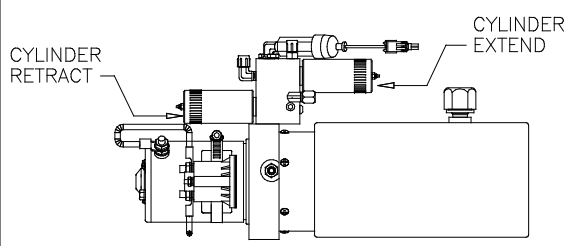
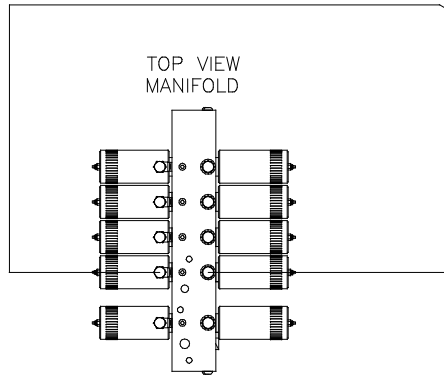
NOTE: INSTALLATION MUST CONFORM TO GOOD SHOP PRACTICES, SAE STANDARDS, RVIA STANDARDS, AND OTHER APPLICABLE STANDARDS.

MP70564 B/E
13JUL12

ORIENTATION
 ← FRONT

NOTE: HOSES (C) AND (D) ARE INCLUDED WITH THE ROOM EXTENSION MECHANISM

- (A) AP24667 HOSE ASSY HWH02HP x 318"
ROD END - ALWAYS PRESSURIZED
- (B) AP2464 HOSE ASSY .25 x 324"
CAP END
- (C) AP25086 HOSE ASSY HWH02HP x 78"
WAS AP24631 HOSE ASSY HWH02HP x 42"
ROD END - ALWAYS PRESSURIZED - MUST BE HIGH PRESSURE HOSES OF EQUAL LENGTH AND DIAMETER
- (D) AP24819 HOSE ASSY HWH02HP x 100"
WAS AP24637 HOSE ASSY HWH02HP x 66"
CAP END - MUST MAINTAIN EQUAL LENGTH AND DIAMETER



NOTE: INSTALLATION MUST CONFORM TO GOOD SHOP PRACTICES, SAE STANDARDS, RVIA STANDARDS, AND OTHER APPLICABLE STANDARDS.

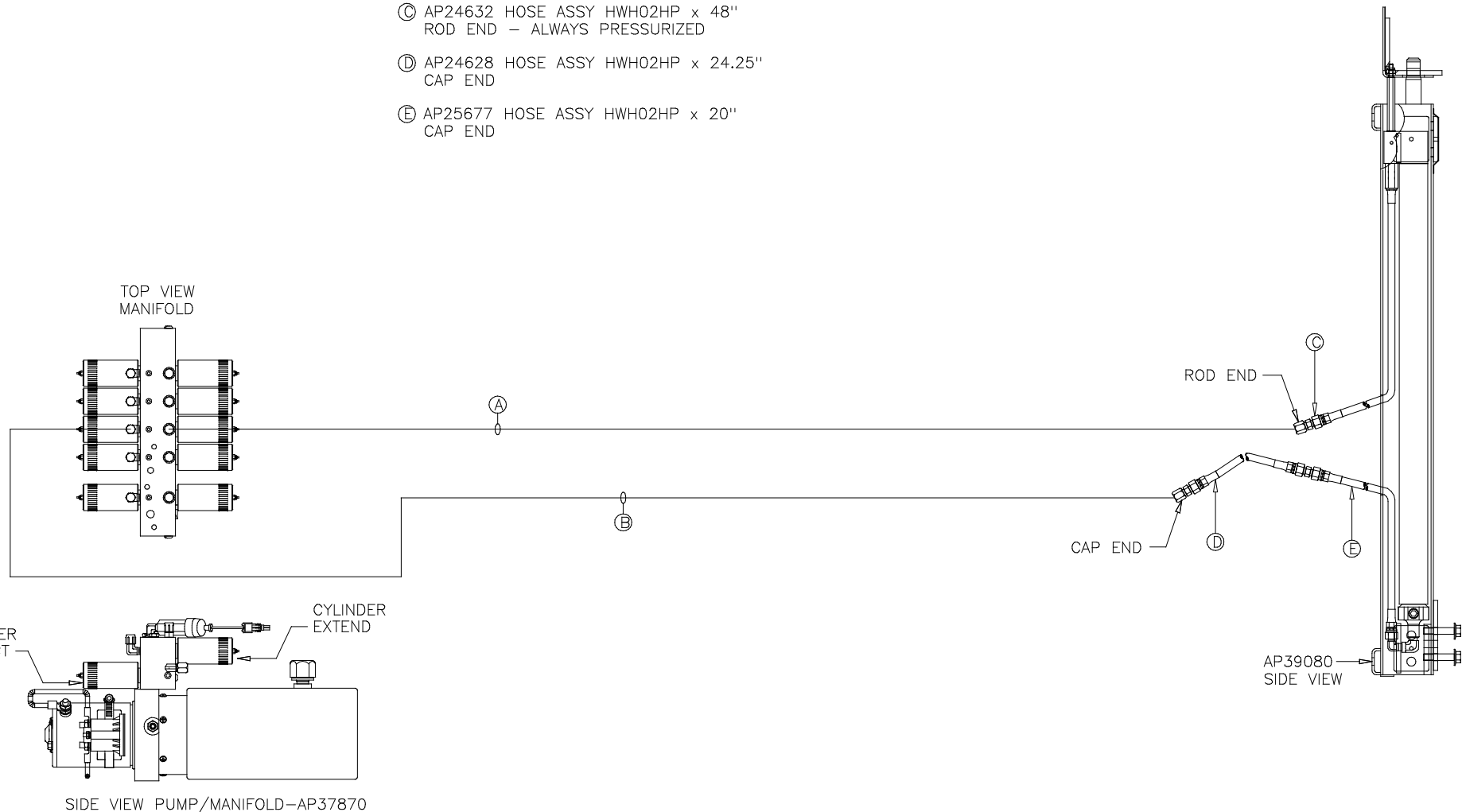
MP70564 C/E
 01FEB13

ORIENTATION
 ← FRONT

NOTE: HOSES ③, ④ AND ⑤ ARE INCLUDED WITH THE ROOM EXTENSION MECHANISM

- ① AP4164 HOSE ASSY .25" x 384"
 ROD END - ALWAYS PRESSURIZED
- ② AP4391 HOSE ASSY .25 x 372"
 CAP END
- ③ AP24632 HOSE ASSY HWH02HP x 48"
 ROD END - ALWAYS PRESSURIZED
- ④ AP24628 HOSE ASSY HWH02HP x 24.25"
 CAP END
- ⑤ AP25677 HOSE ASSY HWH02HP x 20"
 CAP END

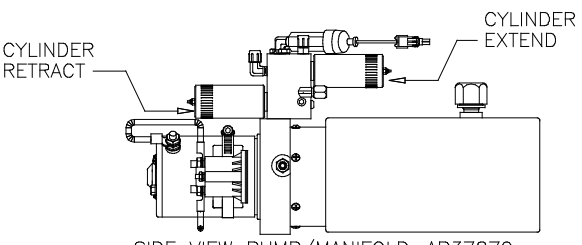
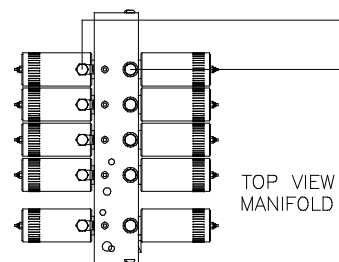
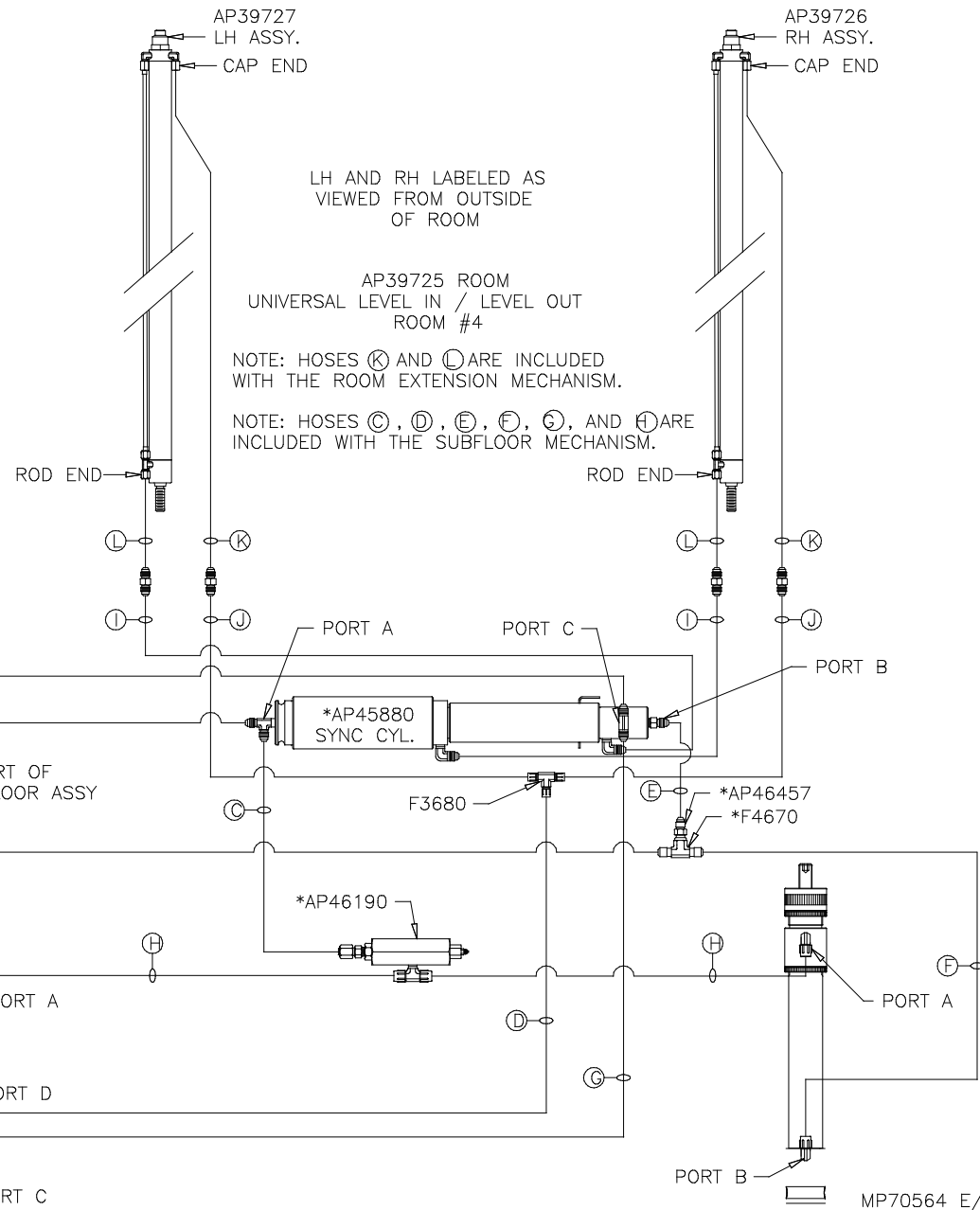
ROOM #3
 AP39081
 BED SLIDE KIT



NOTE: INSTALLATION MUST CONFORM TO GOOD SHOP PRACTICES, SAE STANDARDS, RVIA STANDARDS, AND OTHER APPLICABLE STANDARDS.

- Ⓐ AP4074 HOSE ASSY .25" x 108"
ROD END - ALWAYS PRESSURIZED
- Ⓑ AP7099 HOSE ASSY .25" x 110"
CAP END
- Ⓒ AP4075 HOSE ASSY .25" x 42"
ROD END - ALWAYS PRESSURIZED (LIFT)
- Ⓓ AP5350 HOSE ASSY .25" x 57" OR
AP7177 HOSE ASSY .25" x 70" OR
AP4767 HOSE ASSY .25" x 80"
CAP END (ROOM)
- Ⓔ AP4218 HOSE ASSY .25" x 40"
CAP END (LIFT)
- Ⓕ AP7177 HOSE ASSY .25" x 70" OR
AP5616 HOSE ASSY .25" x 74" OR
AP5215 HOSE ASSY .25" x 78" OR
AP4905 HOSE ASSY .25" x 87" OR
AP7832 HOSE ASSY .25" x 100"
CAP END (LIFT) - MUST BE HOSES
OF EQUAL LENGTH AND DIAMETER
- Ⓖ AP4062 HOSE ASSY .25" x 132" OR
AP2443 HOSE ASSY .25" x 146"
CAP END (LIFT)

- Ⓗ AP4073 HOSE ASSY .25" x 60" OR
AP4664 HOSE ASSY .25" x 64" OR
AP5351 HOSE ASSY .25" x 66" OR
AP5215 HOSE ASSY .25" x 78" OR
AP2445 HOSE ASSY .25" x 90"
ROD END (LIFT) - ALWAYS
PRESSURIZED - MUST BE HOSES
OF EQUAL LENGTH AND DIAMETER
- Ⓢ AP24667 HOSE ASSY HWH02HP x 312"
ROD END - ALWAYS PRESSURIZED - MUST
BE HIGH PRESSURE HOSES OF EQUAL
LENGTH AND DIAMETER
- Ⓣ AP5216 HOSE ASSY .25" x 312"
CAP END - MUST MAINTAIN EQUAL LENGTH
AND DIAMETER
- Ⓚ AP24818 HOSE ASSY HWH02HP x 86"
CAP END - MUST MAINTAIN EQUAL LENGTH
AND DIAMETER
- Ⓛ AP24632 HOSE ASSY HWH02HP x 48"
ROD END - ALWAYS PRESSURIZED - MUST
BE HIGH PRESSURE HOSES OF EQUAL
LENGTH AND DIAMETER



NOTE: INSTALLATION MUST CONFORM TO GOOD SHOP PRACTICES, SAE STANDARDS, RVIA STANDARDS, AND OTHER APPLICABLE STANDARDS.