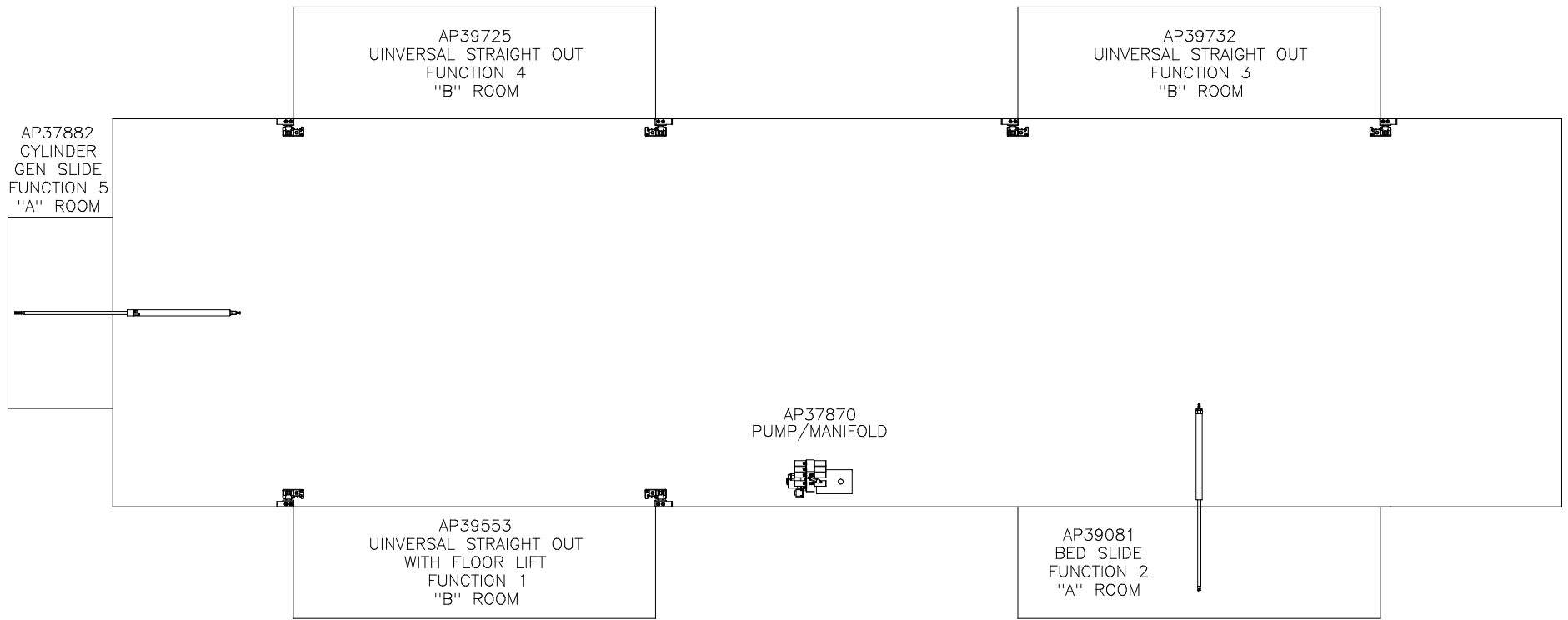


ORIENTATION  
 ← FRONT



		HWH		I-80 EXIT 267 SOUTH RT 1 MOSCOW, IOWA 52760	
		SCALE 1:6	DATE 13JUL12	DRAWN BY .	
△	01FEB13	WAS AP39733 & AP39734			
NO.	DATE	REVISION			
		HYD CONN DIAGRAM		DRAWING NUMBER MP70562 A/E	
		FORETRAVEL			

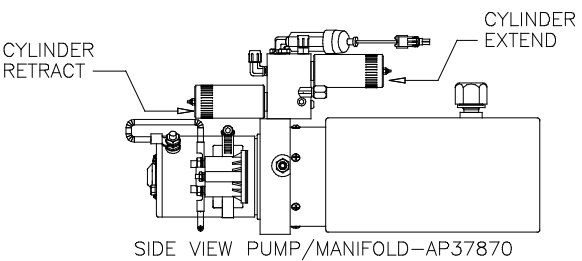
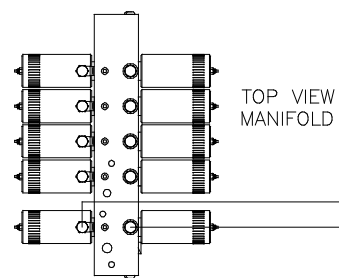
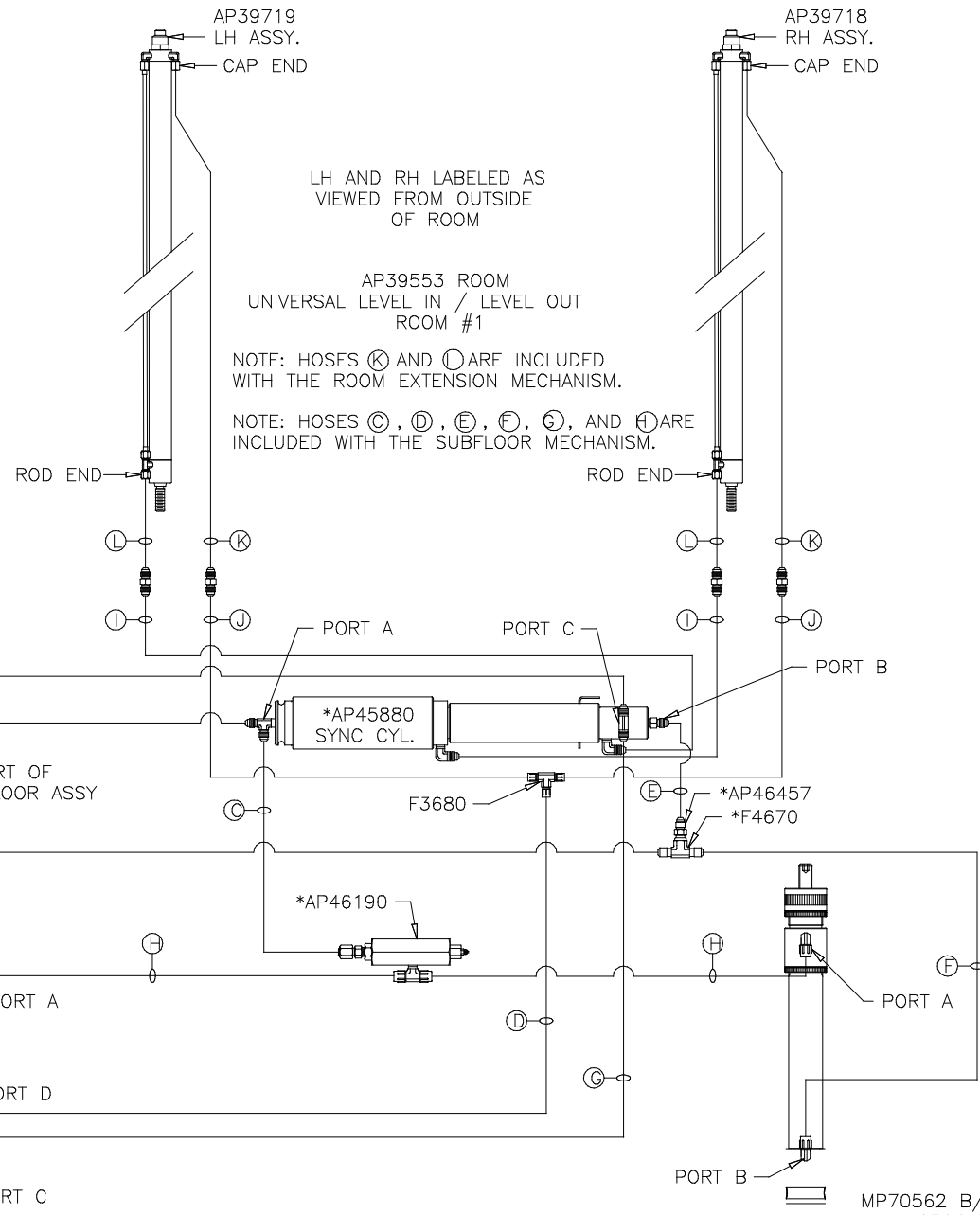
NOTE: INSTALLATION MUST CONFORM TO GOOD SHOP PRACTICES, SAE STANDARDS, RVIA STANDARDS, AND OTHER APPLICABLE STANDARDS.

LEVELING SYSTEM: AP45928

THE INFORMATION DISCLOSED ON THIS DRAWING IS CONFIDENTIAL AND MUST NOT BE DISCLOSED OR USED IN ANY MANNER WHICH WILL BE DETRIMENTAL TO THE HWH CORPORATION

- Ⓐ AP4074 HOSE ASSY .25" x 108"  
ROD END - ALWAYS PRESSURIZED
- Ⓑ AP7099 HOSE ASSY .25" x 110"  
CAP END
- Ⓒ AP4075 HOSE ASSY .25" x 42"  
ROD END - ALWAYS PRESSURIZED (LIFT)
- Ⓓ AP5350 HOSE ASSY .25" x 57" OR  
AP7177 HOSE ASSY .25" x 70" OR  
AP4767 HOSE ASSY .25" x 80"  
CAP END (ROOM)
- Ⓔ AP4218 HOSE ASSY .25" x 40"  
CAP END (LIFT)
- Ⓕ AP7177 HOSE ASSY .25" x 70" OR  
AP5616 HOSE ASSY .25" x 74" OR  
AP5215 HOSE ASSY .25" x 78" OR  
AP4905 HOSE ASSY .25" x 87" OR  
AP7832 HOSE ASSY .25" x 100"  
CAP END (LIFT) - MUST BE HOSES  
OF EQUAL LENGTH AND DIAMETER
- Ⓖ AP4062 HOSE ASSY .25" x 132" OR  
AP2443 HOSE ASSY .25" x 146"  
CAP END (LIFT)

- Ⓗ AP4073 HOSE ASSY .25" x 60" OR  
AP4664 HOSE ASSY .25" x 64" OR  
AP5351 HOSE ASSY .25" x 66" OR  
AP5215 HOSE ASSY .25" x 78" OR  
AP2445 HOSE ASSY .25" x 90"  
ROD END (LIFT) - ALWAYS  
PRESSURIZED - MUST BE HOSES  
OF EQUAL LENGTH AND DIAMETER
- Ⓢ AP24667 HOSE ASSY HWH02HP x 312"  
ROD END - ALWAYS PRESSURIZED - MUST  
BE HIGH PRESSURE HOSES OF EQUAL  
LENGTH AND DIAMETER
- Ⓣ AP5216 HOSE ASSY .25" x 312"  
CAP END - MUST MAINTAIN EQUAL LENGTH  
AND DIAMETER
- Ⓚ AP24818 HOSE ASSY HWH02HP x 86"  
CAP END - MUST MAINTAIN EQUAL LENGTH  
AND DIAMETER
- Ⓛ AP24632 HOSE ASSY HWH02HP x 48"  
ROD END - ALWAYS PRESSURIZED - MUST  
BE HIGH PRESSURE HOSES OF EQUAL  
LENGTH AND DIAMETER



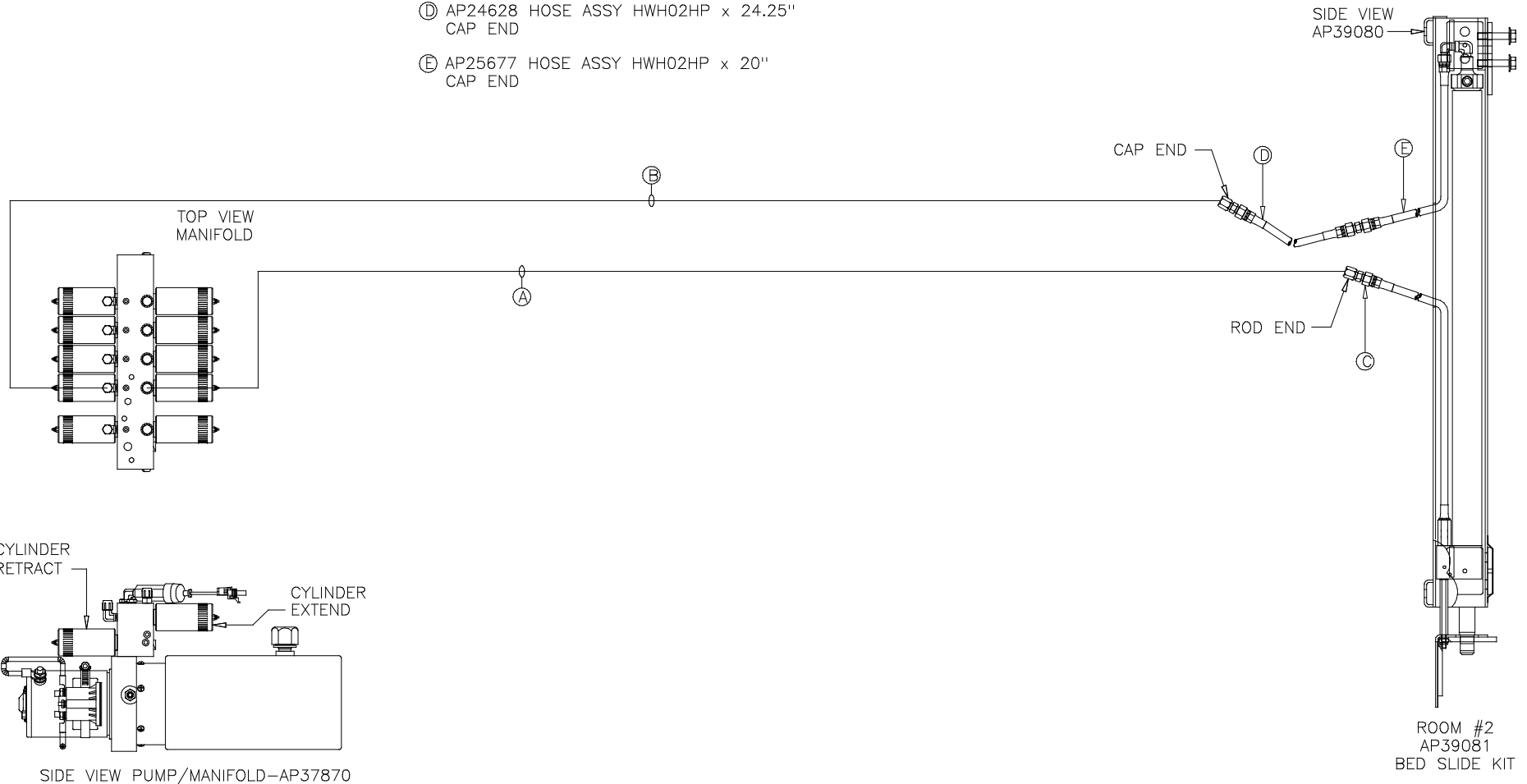
\*: PART OF  
SUBFLOOR ASSY

NOTE: INSTALLATION MUST CONFORM TO GOOD SHOP PRACTICES, SAE  
STANDARDS, RVIA STANDARDS, AND OTHER APPLICABLE STANDARDS.

ORIENTATION  
 ← FRONT

NOTE: HOSES ③, ④ AND ⑤ ARE INCLUDED WITH THE ROOM EXTENSION MECHANISM

- ① AP4164 HOSE ASSY .25 x 384"  
 ROD END - ALWAYS PRESSURIZED
- ② AP4391 HOSE ASSY .25 x 372"  
 CAP END
- ③ AP24632 HOSE ASSY HWH02HP x 48"  
 ROD END - ALWAYS PRESSURIZED
- ④ AP24628 HOSE ASSY HWH02HP x 24.25"  
 CAP END
- ⑤ AP25677 HOSE ASSY HWH02HP x 20"  
 CAP END



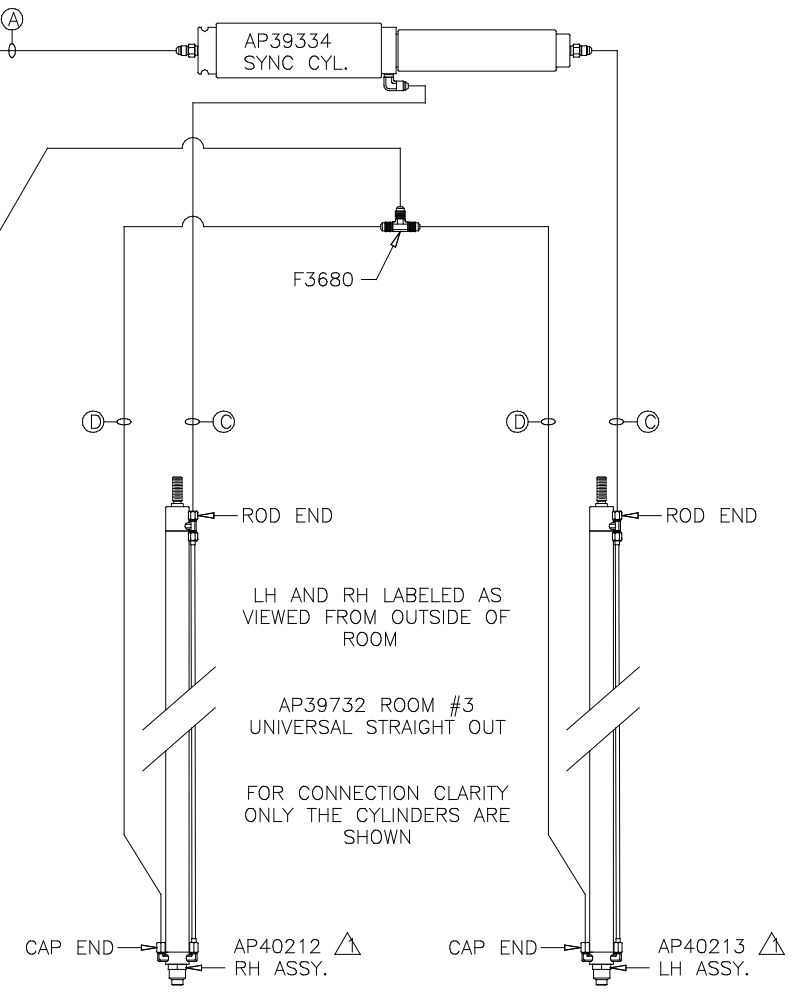
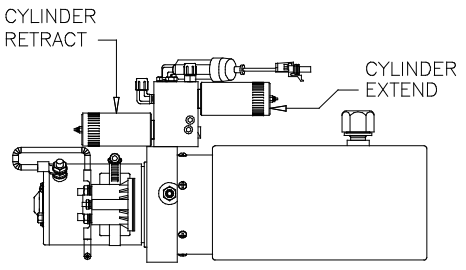
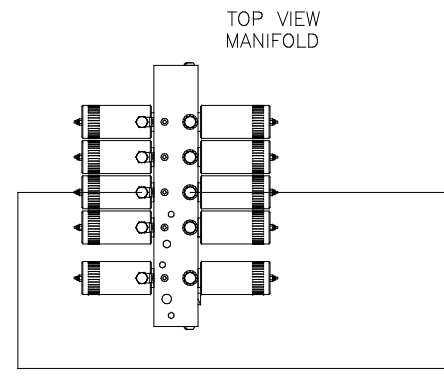
NOTE: INSTALLATION MUST CONFORM TO GOOD SHOP PRACTICES, SAE STANDARDS, RVIA STANDARDS, AND OTHER APPLICABLE STANDARDS.

MP70562 C/E  
 13JUL12

ORIENTATION  
 ← FRONT

NOTE: HOSES (C) AND (D) ARE INCLUDED WITH THE ROOM EXTENSION MECHANISM

- (A) AP4064 HOSE ASSY .25 x 300"  
 WAS AP24672 HOSE ASSY HWH02HP x 372"  
 ROD END - ALWAYS PRESSURIZED
- (B) AP4904 HOSE ASSY .25 x 306"  
 WAS AP4391 HOSE ASSY .25 x 372"  
 CAP END
- (C) AP25086 HOSE ASSY HWH02HP x 78"  
 WAS AP24631 HOSE ASSY HWH02HP x 42"  
 ROD END - ALWAYS PRESSURIZED - MUST BE HIGH PRESSURE HOSES OF EQUAL LENGTH AND DIAMETER
- (D) AP24819 HOSE ASSY HWH02HP x 100"  
 WAS AP24637 HOSE ASSY HWH02HP x 66"  
 CAP END - MUST MAINTAIN EQUAL LENGTH AND DIAMETER



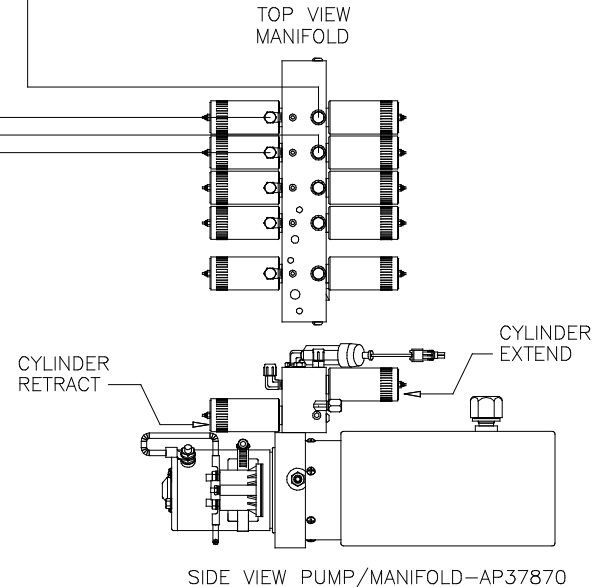
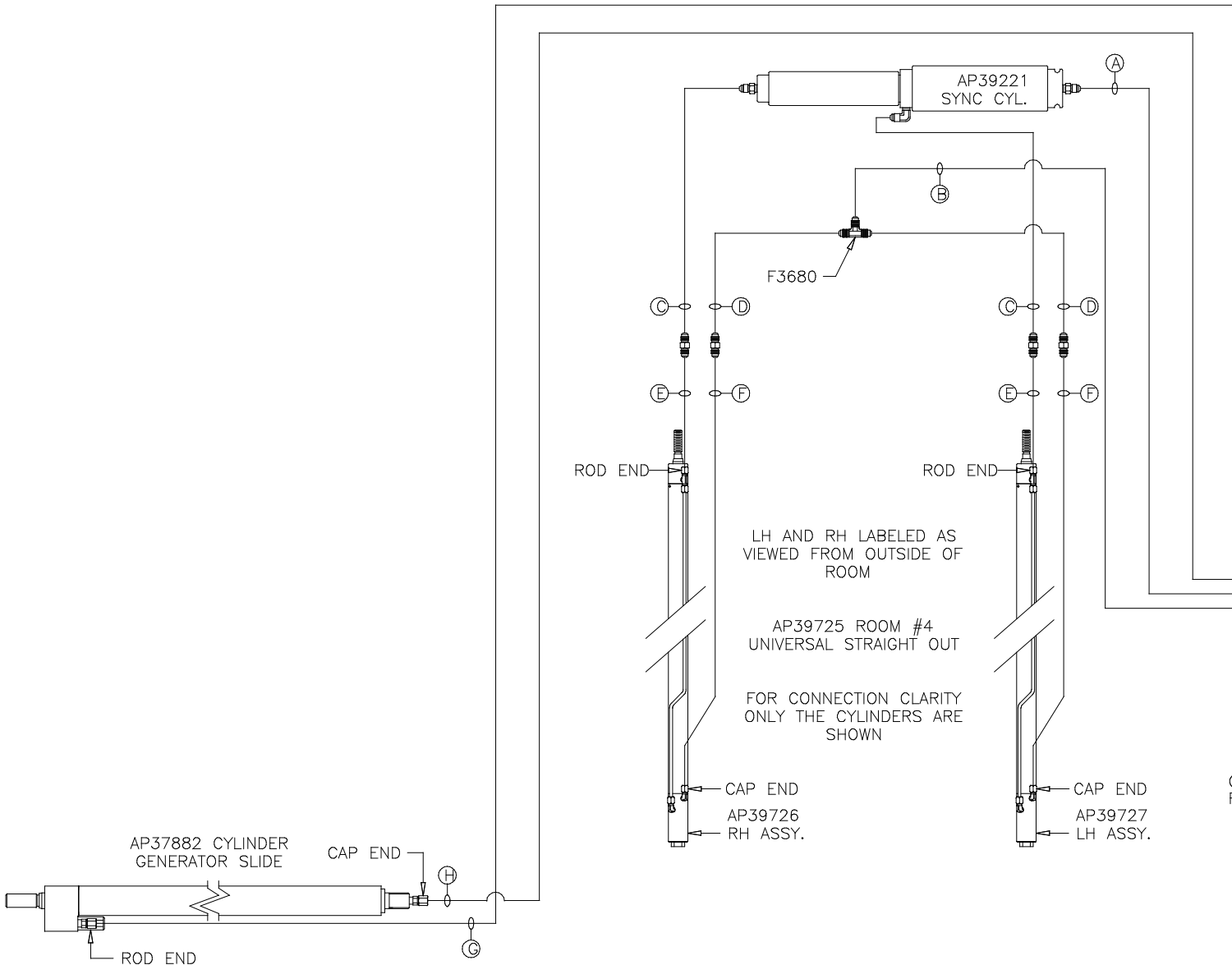
NOTE: INSTALLATION MUST CONFORM TO GOOD SHOP PRACTICES, SAE STANDARDS, RVIA STANDARDS, AND OTHER APPLICABLE STANDARDS.

MP70562 D/E  
 01FEB13

ORIENTATION  
 ← FRONT

NOTE: HOSES (E) AND (F) ARE INCLUDED WITH THE ROOM EXTENSION MECHANISM

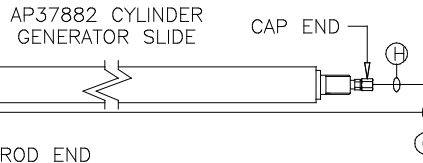
- (A) AP4074 HOSE ASSY .25" x 108"  
ROD END – ALWAYS PRESSURIZED
- (B) AP7099 HOSE ASSY .25" x 110"  
CAP END
- (C) AP24667 HOSE ASSY HWH02HP x 312"  
ROD END – ALWAYS PRESSURIZED – MUST BE HIGH PRESSURE HOSES OF EQUAL LENGTH AND DIAMETER
- (D) AP5216 HOSE ASSY .25" x 312"  
CAP END – MUST MAINTAIN EQUAL LENGTH AND DIAMETER
- (E) AP24632 HOSE ASSY HWH02HP x 48"  
ROD END – ALWAYS PRESSURIZED – MUST BE HIGH PRESSURE HOSES OF EQUAL LENGTH AND DIAMETER
- (F) AP24818 HOSE ASSY HWH02HP x 86"  
CAP END – MUST MAINTAIN EQUAL LENGTH AND DIAMETER
- (G) AP13851 HOSE ASSY .25" x 318"  
ROD END – ALWAYS PRESSURIZED
- (H) AP5216 HOSE ASSY .25" x 312"  
CAP END



LH AND RH LABELED AS VIEWED FROM OUTSIDE OF ROOM

AP39725 ROOM #4  
UNIVERSAL STRAIGHT OUT

FOR CONNECTION CLARITY ONLY THE CYLINDERS ARE SHOWN



NOTE: INSTALLATION MUST CONFORM TO GOOD SHOP PRACTICES, SAE STANDARDS, RVIA STANDARDS, AND OTHER APPLICABLE STANDARDS.