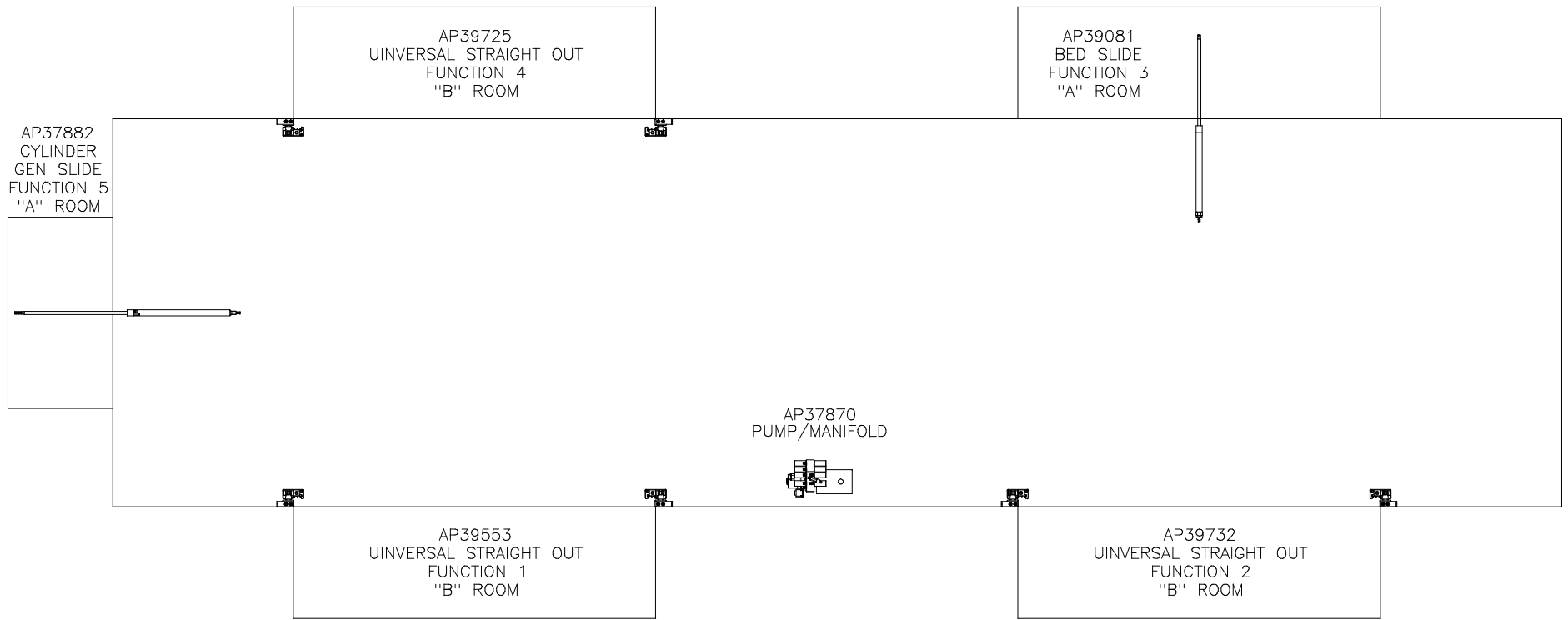


ORIENTATION
 ← FRONT

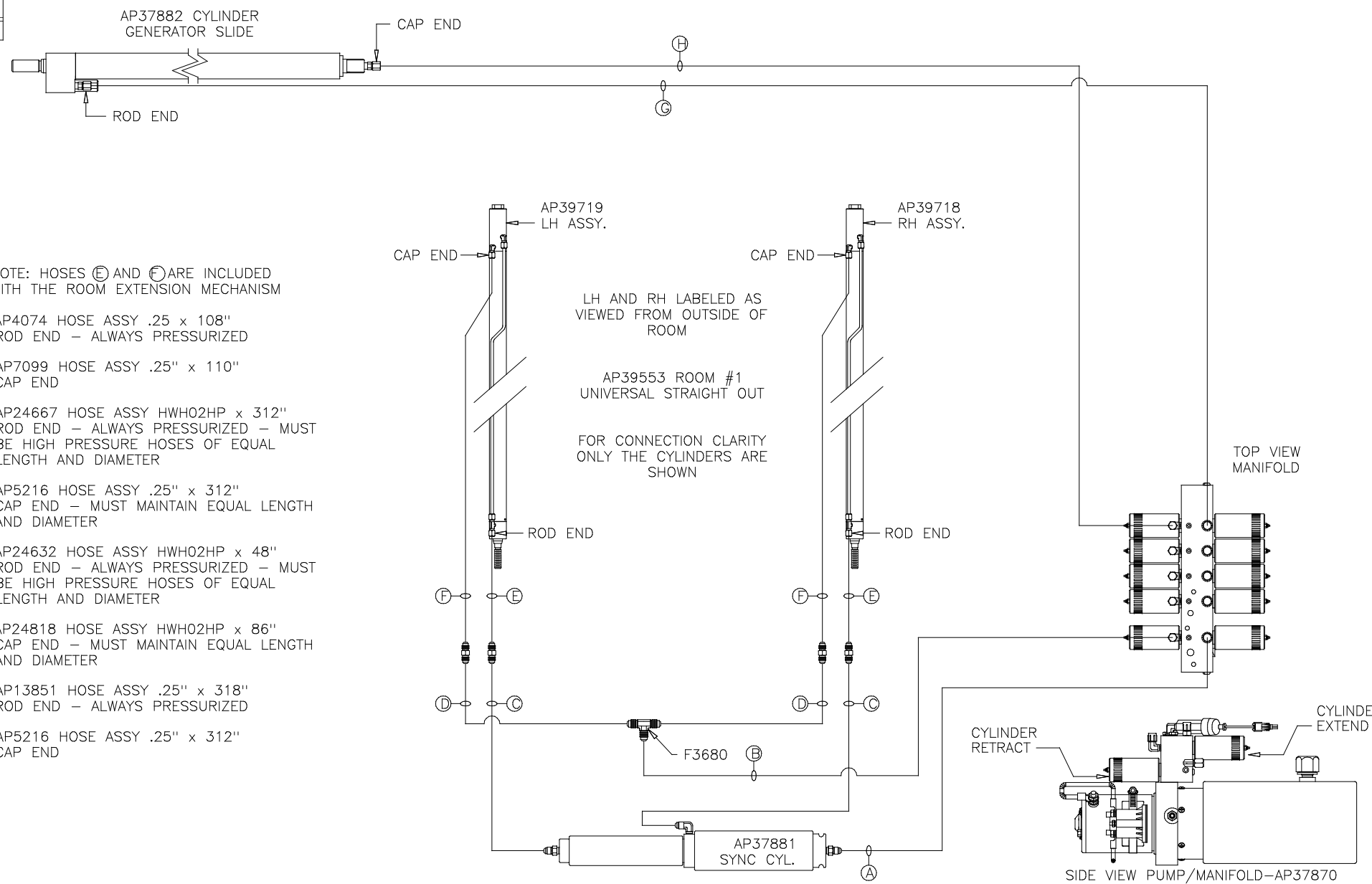


		HWH		I-80 EXIT 267 SOUTH RT 1 MOSCOW, IOWA 52760	
		SCALE 1:6	DATE 12JUL12	DRAWN BY .	
△	01FEB13	WAS AP39733 & AP39734			
NO.	DATE	REVISION			
THE INFORMATION DISCLOSED ON THIS DRAWING IS CONFIDENTIAL AND MUST NOT BE DISCLOSED OR USED IN ANY MANNER WHICH WILL BE DETRIMENTAL TO THE HWH CORPORATION		FORETRAVEL		DRAWING NUMBER MP70556 A/E	

NOTE: INSTALLATION MUST CONFORM TO GOOD SHOP PRACTICES, SAE STANDARDS, RVIA STANDARDS, AND OTHER APPLICABLE STANDARDS.

LEVELING SYSTEM: AP43466

ORIENTATION
FRONT



NOTE: HOSES (E) AND (F) ARE INCLUDED WITH THE ROOM EXTENSION MECHANISM

- (A) AP4074 HOSE ASSY .25" x 108"
ROD END - ALWAYS PRESSURIZED
- (B) AP7099 HOSE ASSY .25" x 110"
CAP END
- (C) AP24667 HOSE ASSY HWH02HP x 312"
ROD END - ALWAYS PRESSURIZED - MUST BE HIGH PRESSURE HOSES OF EQUAL LENGTH AND DIAMETER
- (D) AP5216 HOSE ASSY .25" x 312"
CAP END - MUST MAINTAIN EQUAL LENGTH AND DIAMETER
- (E) AP24632 HOSE ASSY HWH02HP x 48"
ROD END - ALWAYS PRESSURIZED - MUST BE HIGH PRESSURE HOSES OF EQUAL LENGTH AND DIAMETER
- (F) AP24818 HOSE ASSY HWH02HP x 86"
CAP END - MUST MAINTAIN EQUAL LENGTH AND DIAMETER
- (G) AP13851 HOSE ASSY .25" x 318"
ROD END - ALWAYS PRESSURIZED
- (H) AP5216 HOSE ASSY .25" x 312"
CAP END

LH AND RH LABELED AS VIEWED FROM OUTSIDE OF ROOM

AP39553 ROOM #1 UNIVERSAL STRAIGHT OUT

FOR CONNECTION CLARITY ONLY THE CYLINDERS ARE SHOWN

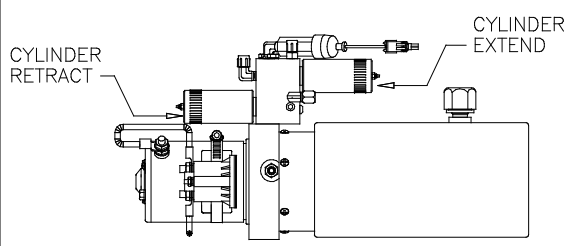
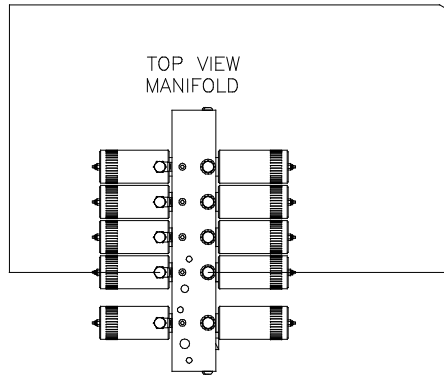
NOTE: INSTALLATION MUST CONFORM TO GOOD SHOP PRACTICES, SAE STANDARDS, RVIA STANDARDS, AND OTHER APPLICABLE STANDARDS.

MP70556 B/E
12JUL12

ORIENTATION
 ← FRONT

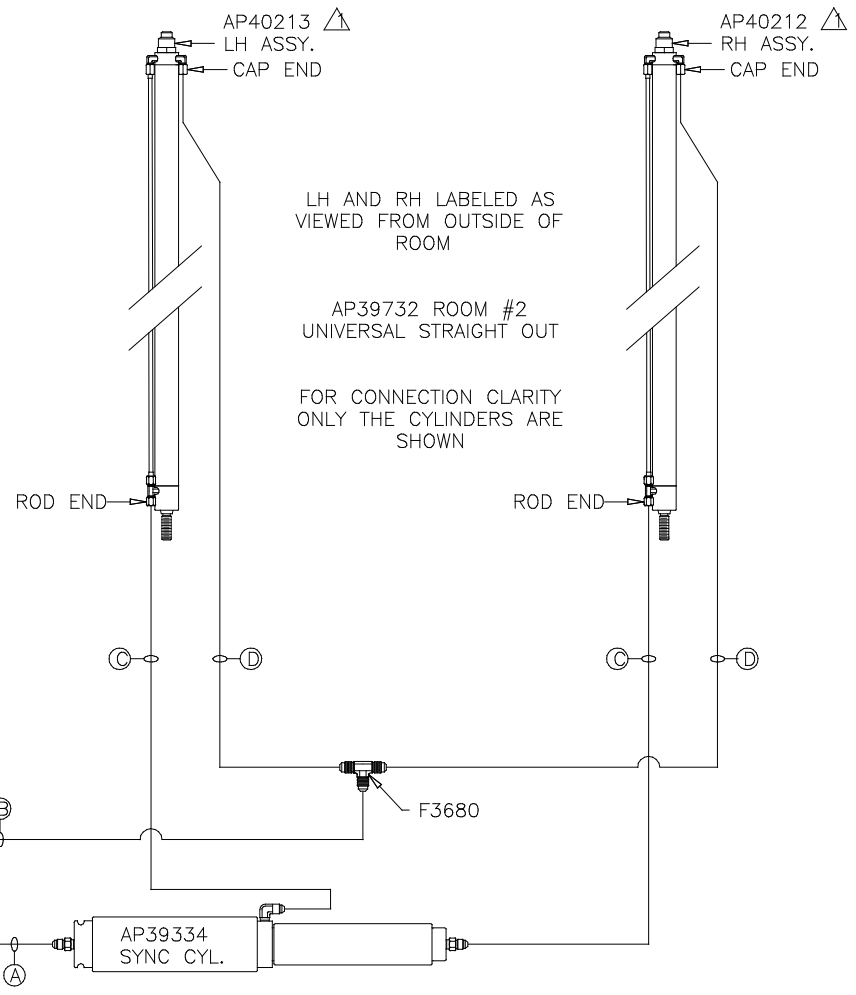
NOTE: HOSES (C) AND (D) ARE INCLUDED WITH THE ROOM EXTENSION MECHANISM

- (A) AP2464 HOSE ASSY .25" X 324"
 WAS AP4064 HOSE ASSY .25" x 300"
 ROD END - ALWAYS PRESSURIZED
- (B) AP24667 HOSE ASSY HWH02HP x 312"
 CAP END
- (C) AP25086 HOSE ASSY HWH02HP x 78"
 WAS AP24631 HOSE ASSY HWH02HP x 42"
 ROD END - ALWAYS PRESSURIZED - MUST BE HIGH PRESSURE HOSES OF EQUAL LENGTH AND DIAMETER
- (D) AP24819 HOSE ASSY HWH02HP x 100"
 WAS AP24637 HOSE ASSY HWH02HP x 66"
 CAP END - MUST MAINTAIN EQUAL LENGTH AND DIAMETER



SIDE VIEW PUMP/MANIFOLD-AP37870

NOTE: INSTALLATION MUST CONFORM TO GOOD SHOP PRACTICES, SAE STANDARDS, RVIA STANDARDS, AND OTHER APPLICABLE STANDARDS.

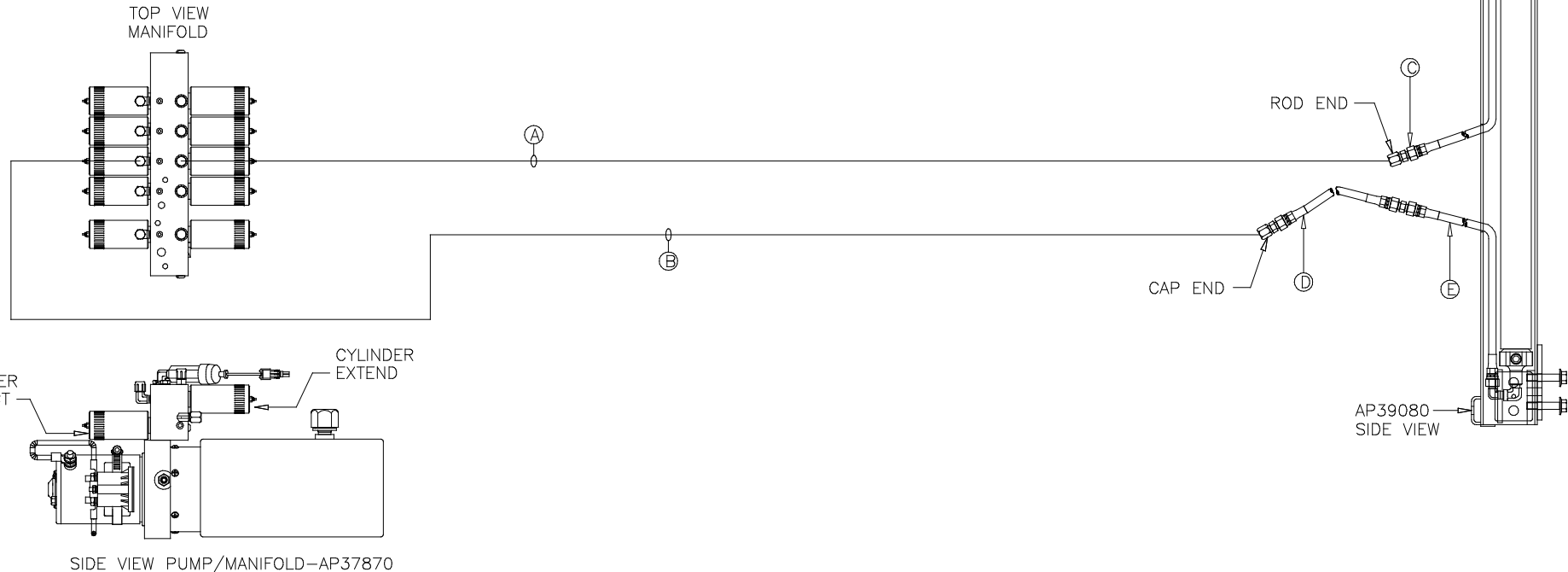


ORIENTATION
 ← FRONT

NOTE: HOSES ③, ④ AND ⑤ ARE INCLUDED WITH THE ROOM EXTENSION MECHANISM

- ① AP4164 HOSE ASSY .25" x 384"
ROD END – ALWAYS PRESSURIZED
- ② AP4391 HOSE ASSY .25 x 372"
CAP END
- ③ AP24632 HOSE ASSY HWH02HP x 48"
ROD END – ALWAYS PRESSURIZED
- ④ AP24628 HOSE ASSY HWH02HP x 24.25"
CAP END
- ⑤ AP25677 HOSE ASSY HWH02HP x 20"
CAP END

ROOM #3
 AP39081
 BED SLIDE KIT



SIDE VIEW PUMP/MANIFOLD-AP37870

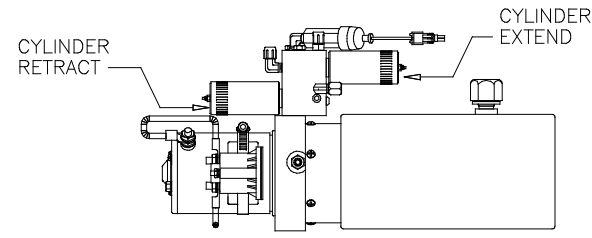
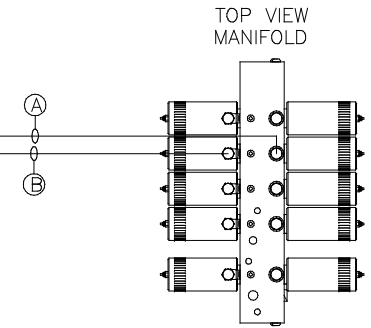
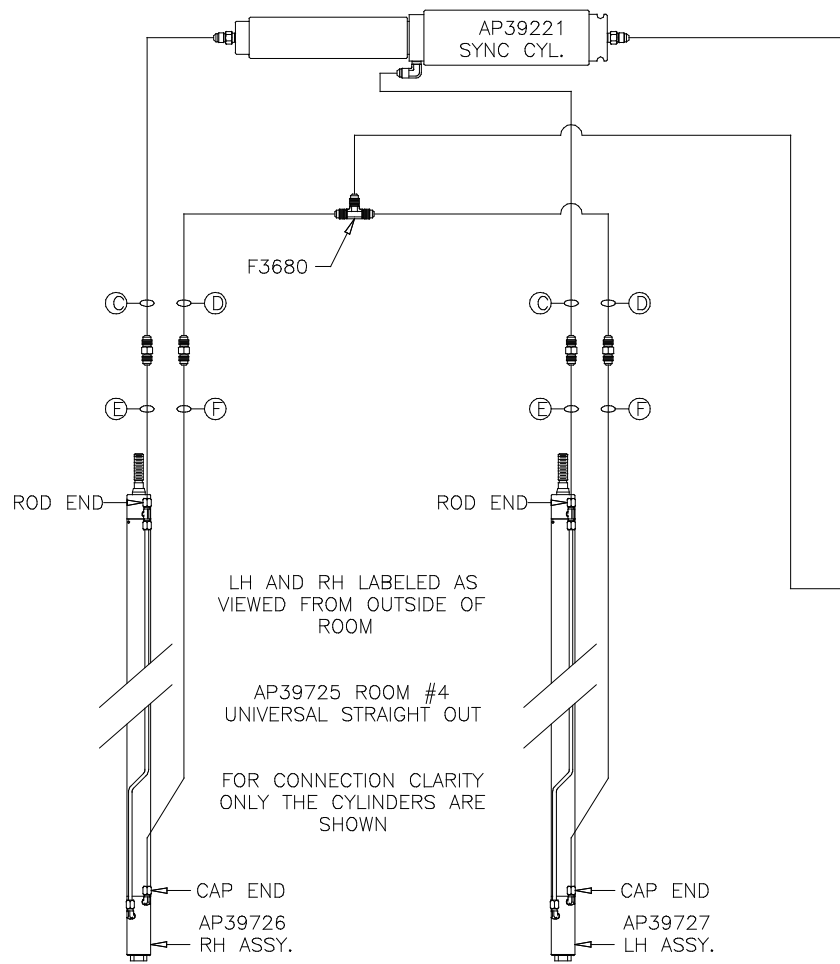
AP39080
 SIDE VIEW

NOTE: INSTALLATION MUST CONFORM TO GOOD SHOP PRACTICES, SAE STANDARDS, RVIA STANDARDS, AND OTHER APPLICABLE STANDARDS.

ORIENTATION
 ← FRONT

NOTE: HOSES (E) AND (F) ARE INCLUDED WITH THE ROOM EXTENSION MECHANISM

- (A) AP4074 HOSE ASSY .25" x 108"
ROD END – ALWAYS PRESSURIZED
- (B) AP7099 HOSE ASSY .25" x 110"
CAP END
- (C) AP24667 HOSE ASSY HWH02HP x 312"
ROD END – ALWAYS PRESSURIZED – MUST BE HIGH PRESSURE HOSES OF EQUAL LENGTH AND DIAMETER
- (D) AP5216 HOSE ASSY .25" x 312"
CAP END – MUST MAINTAIN EQUAL LENGTH AND DIAMETER
- (E) AP24632 HOSE ASSY HWH02HP x 48"
ROD END – ALWAYS PRESSURIZED – MUST BE HIGH PRESSURE HOSES OF EQUAL LENGTH AND DIAMETER
- (F) AP24818 HOSE ASSY HWH02HP x 86"
CAP END – MUST MAINTAIN EQUAL LENGTH AND DIAMETER



SIDE VIEW PUMP/MANIFOLD-AP37870

NOTE: INSTALLATION MUST CONFORM TO GOOD SHOP PRACTICES, SAE STANDARDS, RVIA STANDARDS, AND OTHER APPLICABLE STANDARDS.