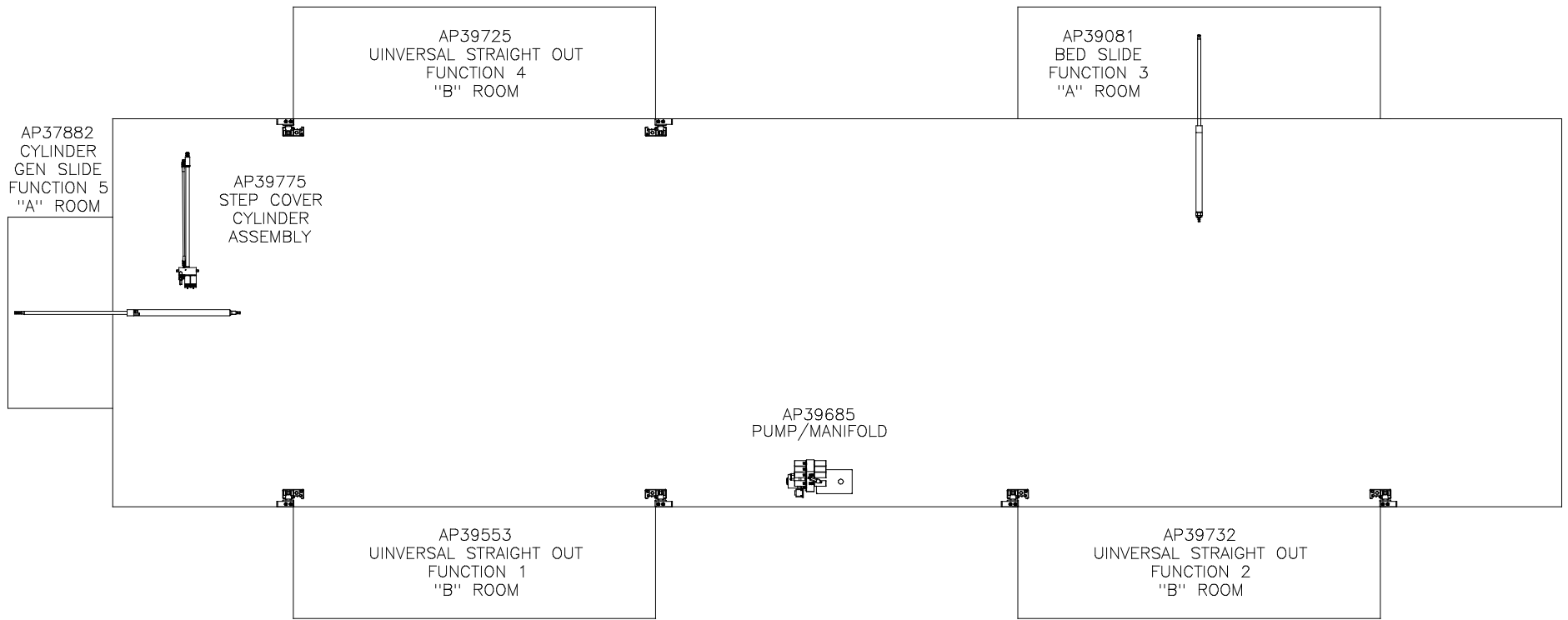


ORIENTATION
 ← FRONT



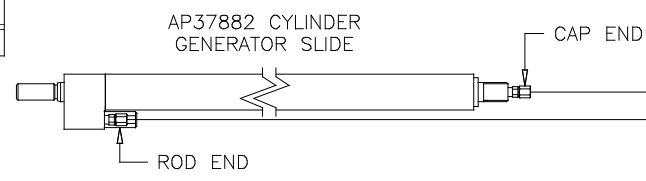
		HWH		I-80 EXIT 267 SOUTH RT 1 MOSCOW, IOWA 52760	
		SCALE 1:6	DATE 12JUL12	DRAWN BY .	
△	01FEB13	WAS AP39733 & AP39734		HYD CONN DIAGRAM	
NO.	DATE	REVISION			
THE INFORMATION DISCLOSED ON THIS DRAWING IS CONFIDENTIAL AND MUST NOT BE DISCLOSED OR USED IN ANY MANNER WHICH WILL BE DETRIMENTAL TO THE HWH CORPORATION				DRAWING NUMBER MP70555 A/E	

NOTE: INSTALLATION MUST CONFORM TO GOOD SHOP PRACTICES, SAE STANDARDS, RVIA STANDARDS, AND OTHER APPLICABLE STANDARDS.

LEVELING SYSTEM: AP41664

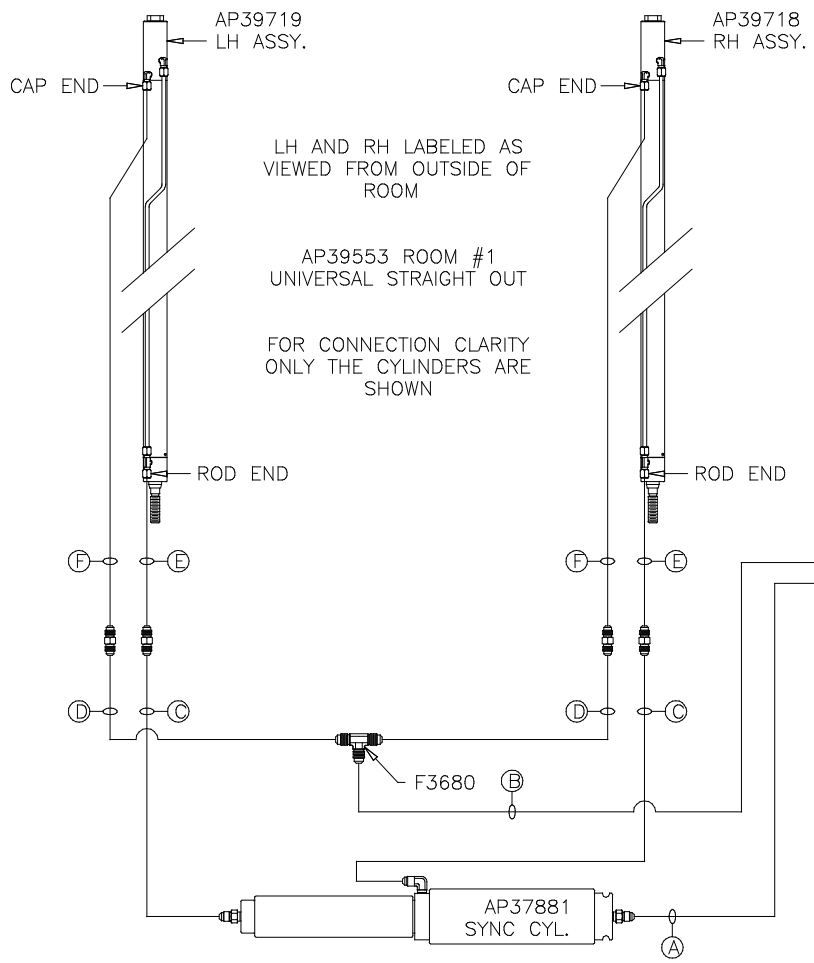
FORETRAVEL

ORIENTATION
 ← FRONT



NOTE: HOSES (E) AND (F) ARE INCLUDED WITH THE ROOM EXTENSION MECHANISM

- (A) AP4074 HOSE ASSY .25" x 108"
ROD END - ALWAYS PRESSURIZED
- (B) AP7099 HOSE ASSY .25" x 110"
CAP END
- (C) AP24667 HOSE ASSY HWH02HP x 312"
ROD END - ALWAYS PRESSURIZED - MUST BE HIGH PRESSURE HOSES OF EQUAL LENGTH AND DIAMETER
- (D) AP5216 HOSE ASSY .25" x 312"
CAP END - MUST MAINTAIN EQUAL LENGTH AND DIAMETER
- (E) AP24632 HOSE ASSY HWH02HP x 48"
ROD END - ALWAYS PRESSURIZED - MUST BE HIGH PRESSURE HOSES OF EQUAL LENGTH AND DIAMETER
- (F) AP24818 HOSE ASSY HWH02HP x 86"
CAP END - MUST MAINTAIN EQUAL LENGTH AND DIAMETER
- (G) AP13851 HOSE ASSY .25" x 318"
ROD END - ALWAYS PRESSURIZED
- (H) AP5216 HOSE ASSY .25" x 312"
CAP END

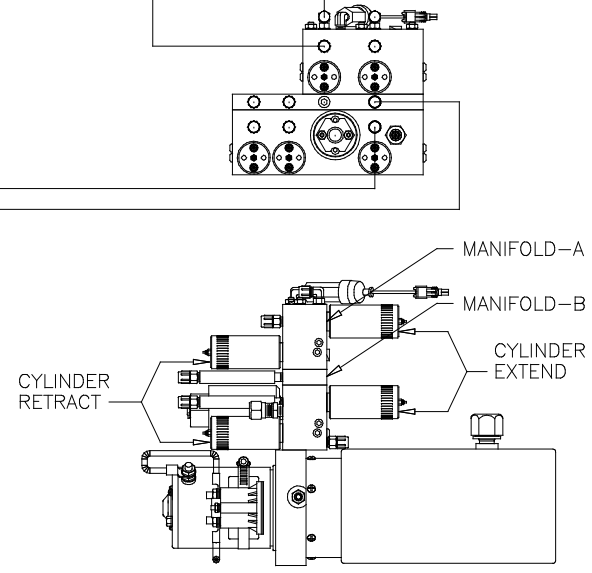


LH AND RH LABELED AS VIEWED FROM OUTSIDE OF ROOM

AP39553 ROOM #1 UNIVERSAL STRAIGHT OUT

FOR CONNECTION CLARITY ONLY THE CYLINDERS ARE SHOWN

FRONT VIEW MANIFOLD-A AND MANIFOLD-B



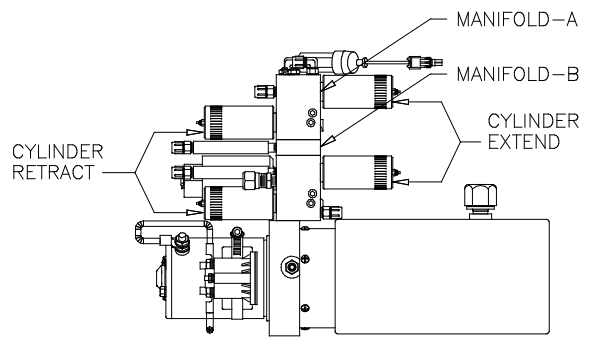
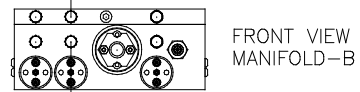
SIDE VIEW PUMP/MANIFOLD-AP39685

NOTE: INSTALLATION MUST CONFORM TO GOOD SHOP PRACTICES, SAE STANDARDS, RVIA STANDARDS, AND OTHER APPLICABLE STANDARDS.

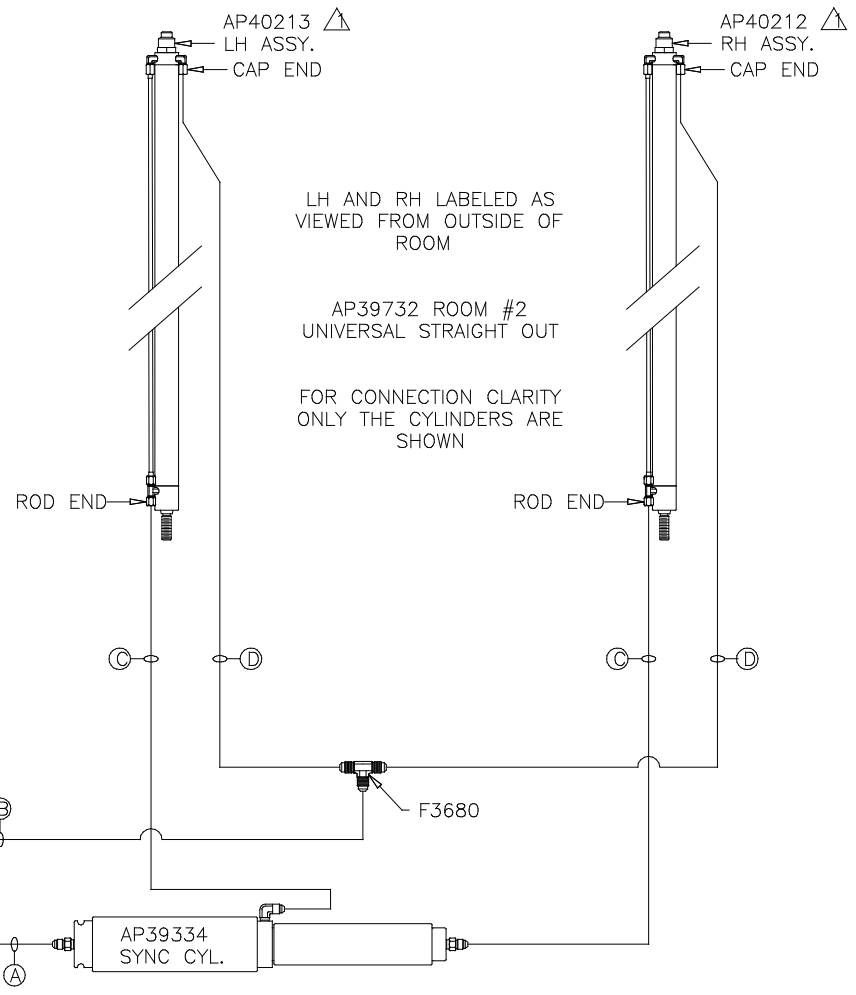
ORIENTATION
 ← FRONT

NOTE: HOSES (C) AND (D) ARE INCLUDED WITH THE ROOM EXTENSION MECHANISM

- (A) AP4064 HOSE ASSY .25" x 300"
ROD END - ALWAYS PRESSURIZED
- (B) AP4904 HOSE ASSY .25" x 306"
CAP END
- (C) AP25086 HOSE ASSY HWH02HP x 78"
WAS AP24631 HOSE ASSY HWH02HP x 42"
ROD END - ALWAYS PRESSURIZED - MUST BE HIGH PRESSURE HOSES OF EQUAL LENGTH AND DIAMETER
- (D) AP24819 HOSE ASSY HWH02HP x 100"
WAS AP24637 HOSE ASSY HWH02HP x 66"
CAP END - MUST MAINTAIN EQUAL LENGTH AND DIAMETER



SIDE VIEW PUMP/MANIFOLD-AP39685



NOTE: INSTALLATION MUST CONFORM TO GOOD SHOP PRACTICES, SAE STANDARDS, RVIA STANDARDS, AND OTHER APPLICABLE STANDARDS.

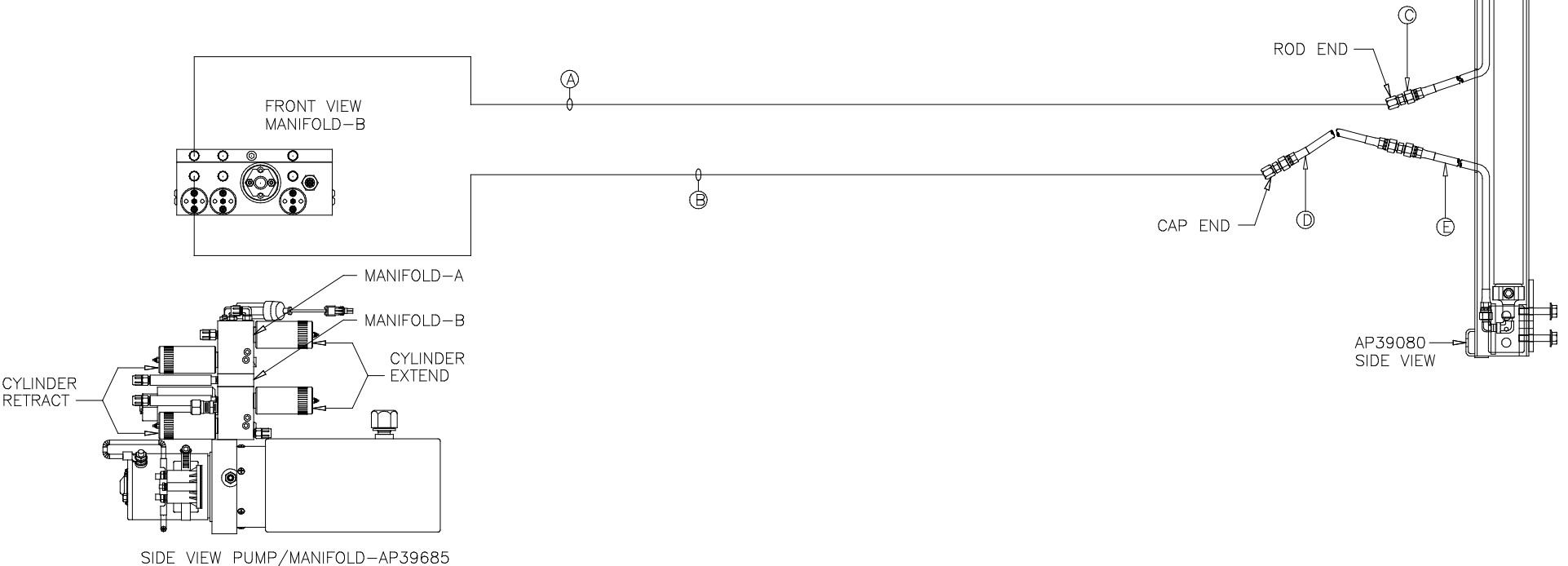
MP70555 C/E
 01FEB13

ORIENTATION
 ← FRONT

NOTE: HOSES ③, ④ AND ⑤ ARE INCLUDED WITH THE ROOM EXTENSION MECHANISM

- ① AP4164 HOSE ASSY .25" x 384"
ROD END - ALWAYS PRESSURIZED
- ② AP4391 HOSE ASSY .25 x 372"
CAP END
- ③ AP24632 HOSE ASSY HWH02HP x 48"
ROD END - ALWAYS PRESSURIZED
- ④ AP24628 HOSE ASSY HWH02HP x 24.25"
CAP END
- ⑤ AP25677 HOSE ASSY HWH02HP x 20"
CAP END

ROOM #3
 AP39081
 BED SLIDE KIT

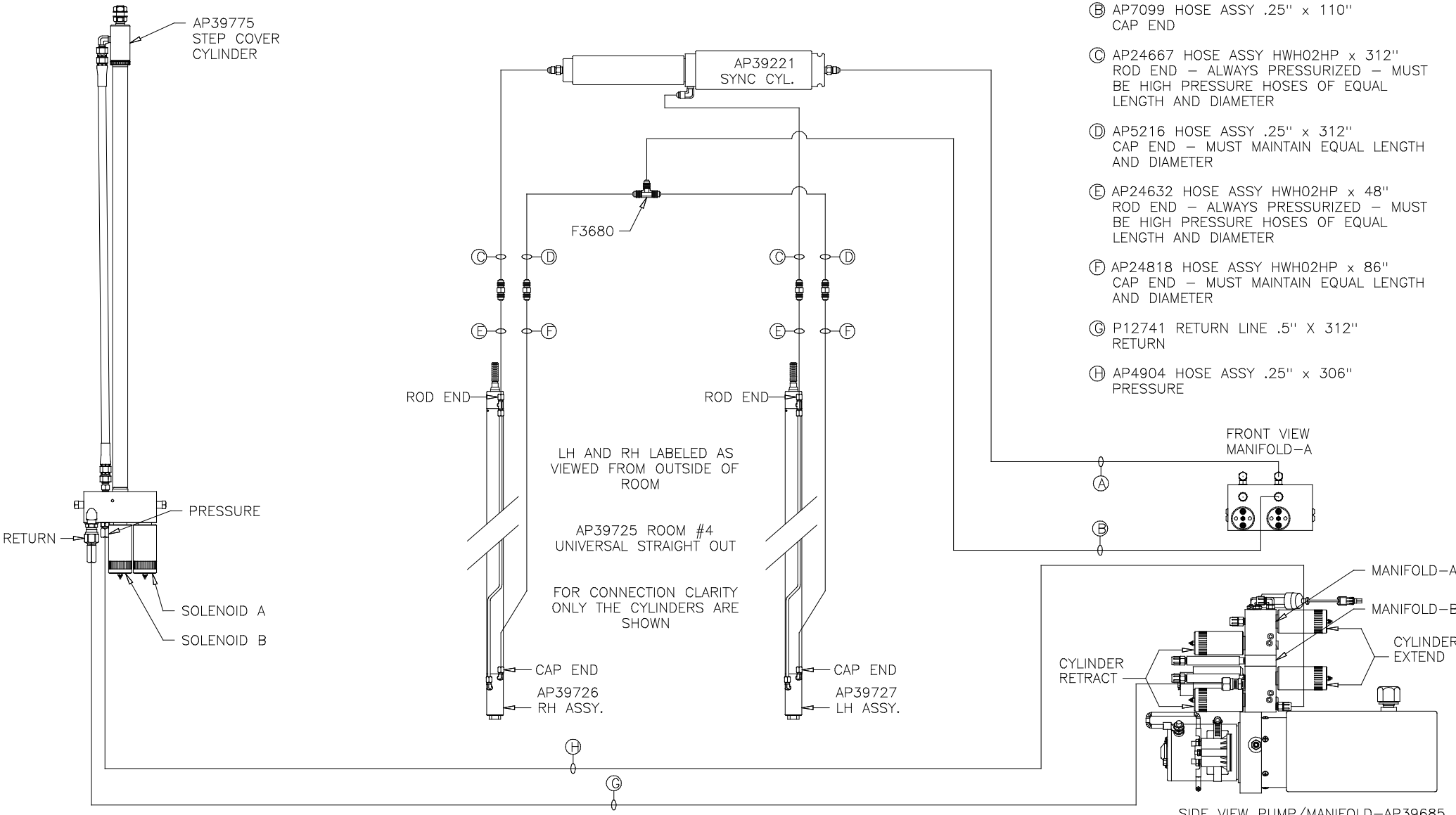


NOTE: INSTALLATION MUST CONFORM TO GOOD SHOP PRACTICES, SAE STANDARDS, RVIA STANDARDS, AND OTHER APPLICABLE STANDARDS.

ORIENTATION
 ← FRONT

NOTE: HOSES (E) AND (F) ARE INCLUDED WITH THE ROOM EXTENSION MECHANISM

- (A) AP4074 HOSE ASSY .25" x 108" ROD END - ALWAYS PRESSURIZED
- (B) AP7099 HOSE ASSY .25" x 110" CAP END
- (C) AP24667 HOSE ASSY HWH02HP x 312" ROD END - ALWAYS PRESSURIZED - MUST BE HIGH PRESSURE HOSES OF EQUAL LENGTH AND DIAMETER
- (D) AP5216 HOSE ASSY .25" x 312" CAP END - MUST MAINTAIN EQUAL LENGTH AND DIAMETER
- (E) AP24632 HOSE ASSY HWH02HP x 48" ROD END - ALWAYS PRESSURIZED - MUST BE HIGH PRESSURE HOSES OF EQUAL LENGTH AND DIAMETER
- (F) AP24818 HOSE ASSY HWH02HP x 86" CAP END - MUST MAINTAIN EQUAL LENGTH AND DIAMETER
- (G) P12741 RETURN LINE .5" X 312" RETURN
- (H) AP4904 HOSE ASSY .25" x 306" PRESSURE



NOTE: INSTALLATION MUST CONFORM TO GOOD SHOP PRACTICES, SAE STANDARDS, RVIA STANDARDS, AND OTHER APPLICABLE STANDARDS.

MP70555 E/E
 01FEB13