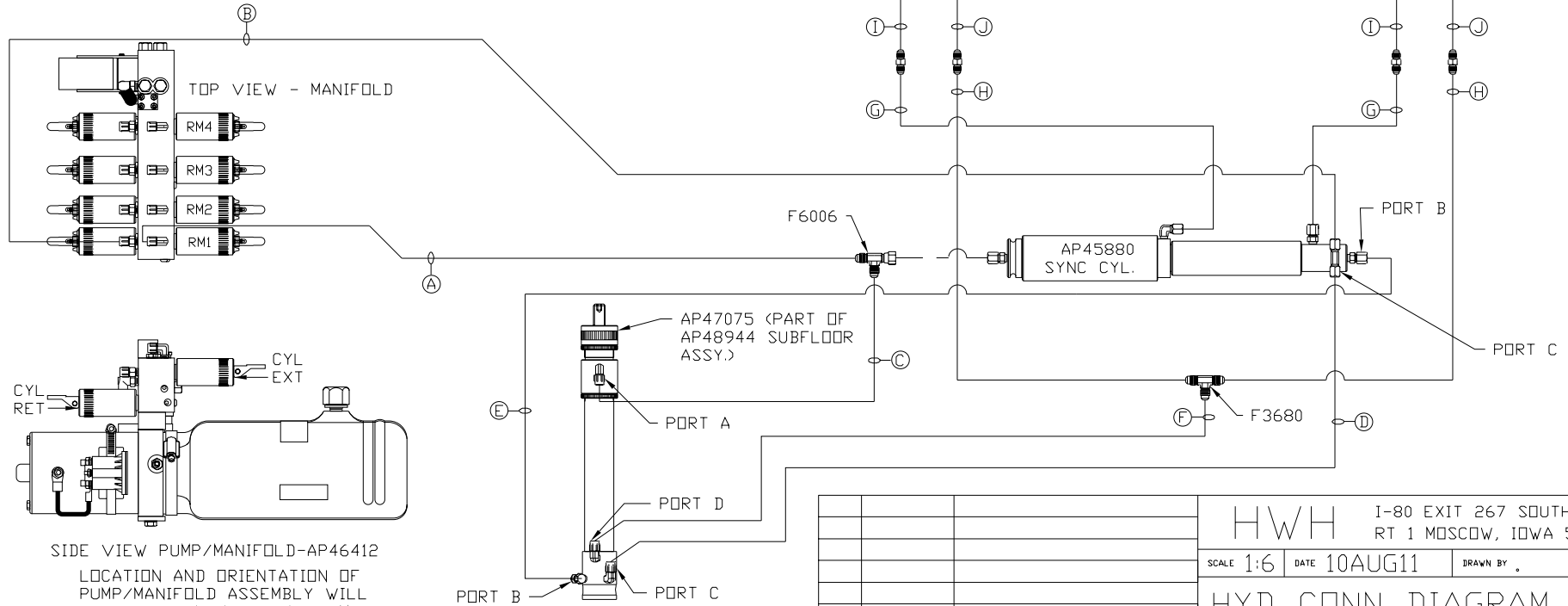


NOTE: HOSES ① AND ② ARE INCLUDED WITH THE ROOM EXTENSION MECHANISM

- Ⓐ .25 ID HOSE  
ROD END - ALWAYS PRESSURIZED
- Ⓑ .25 ID HOSE  
CAP END (ROOM)
- Ⓒ .25 ID HOSE  
ROD END - ALWAYS PRESSURIZED (LIFT)
- Ⓓ .25 ID HOSE  
CAP END (ROOM)
- Ⓔ .25 ID HOSE  
CAP END (LIFT)
- Ⓕ .25 ID HOSE  
CAP END (ROOM)

- Ⓖ .125 ID HP HOSE  
ROD END - ALWAYS PRESSURIZED  
HOSES MUST BE HIGH PRESSURE  
HOSES OF EQUAL LENGTH AND DIAMETER
- Ⓗ .25 ID HOSE  
CAP END - HOSES MUST MAINTAIN  
EQUAL LENGTH AND DIAMETER
- ① AP24632 HOSE ASSY HWH02HP x 48"  
ROD END - ALWAYS PRESSURIZED -  
MUST BE HIGH PRESSURE HOSES OF  
EQUAL LENGTH AND DIAMETER
- ② AP24818 HOSE ASSY HWH02HP x 86"  
CAP END - MUST MAINTAIN EQUAL  
LENGTH AND DIAMETER



LH AND RH LABELED AS  
VIEWED FROM OUTSIDE  
OF ROOM

AP47100 ROOM  
UNIVERSAL LEVEL IN LEVEL OUT  
ROOM #1

SIDE VIEW PUMP/MANIFOLD-AP46412

LOCATION AND ORIENTATION OF  
PUMP/MANIFOLD ASSEMBLY WILL  
DIFFER DEPENDING UPON O.E.M.

NOTE: INSTALLATION MUST CONFORM TO GOOD SHOP PRACTICES, SAE  
STANDARDS, RVIA STANDARDS, AND OTHER APPLICABLE STANDARDS.

CONTROL PACKAGE: AP48995

NO.	DATE	REVISION

THE INFORMATION DISCLOSED ON THIS DRAWING IS CONFIDENTIAL AND MUST NOT BE DISCLOSED OR USED IN ANY MANNER WHICH WILL BE DETRIMENTAL TO THE HWH CORPORATION

HWH I-80 EXIT 267 SOUTH  
RT 1 MOSCOW, IOWA 52760

SCALE 1:6 DATE 10AUG11

DRAWN BY .

HYD CONN DIAGRAM

FRONTLINE

DRAWING NUMBER  
MP70419 A/D

NOTE: HOSES (E) AND (F) ARE INCLUDED WITH THE ROOM EXTENSION MECHANISM

(A) .25 ID HOSE  
ROD END - ALWAYS PRESSURIZED

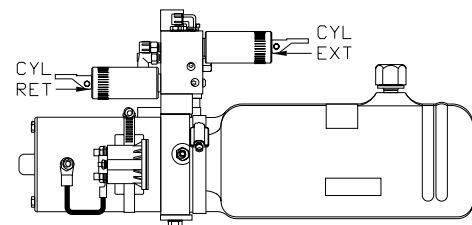
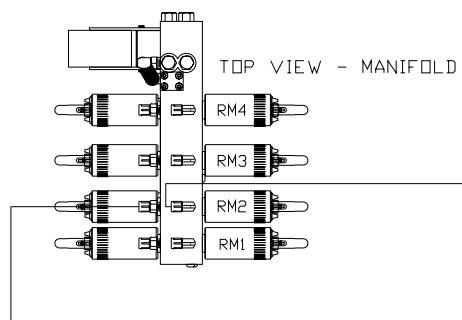
(B) .25 ID HOSE  
CAP END

(C) .125 ID HP HOSE  
ROD END - ALWAYS PRESSURIZED  
HOSES MUST BE HIGH PRESSURE  
HOSES OF EQUAL LENGTH AND DIAMETER

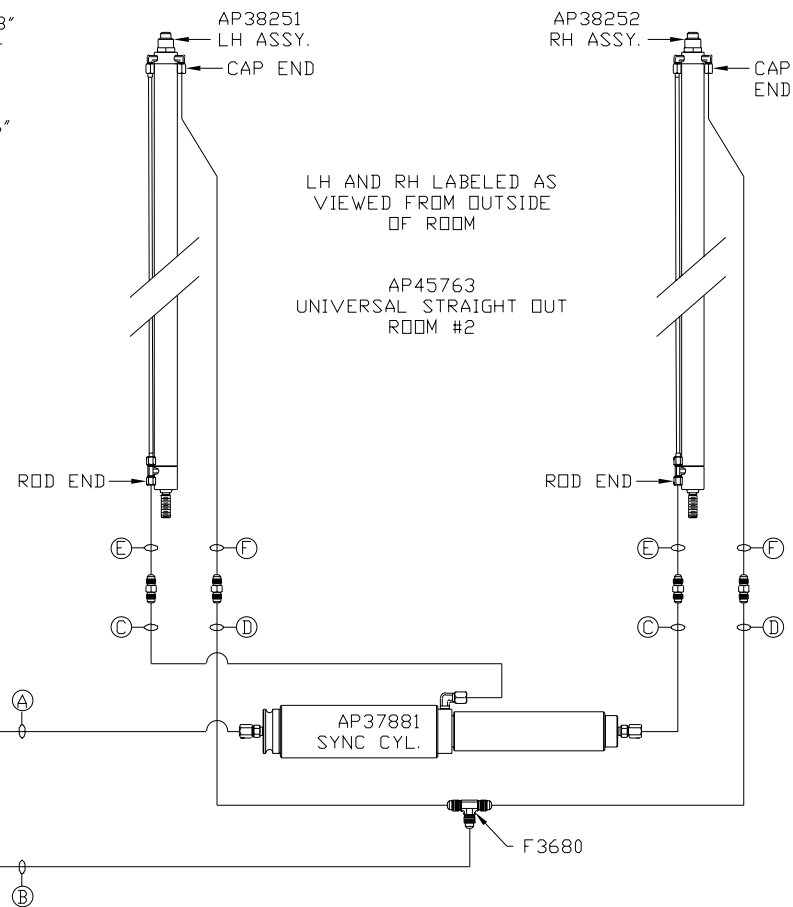
(D) .25 ID HOSE  
CAP END - HOSES MUST MAINTAIN  
EQUAL LENGTH AND DIAMETER

(E) AP24632 HOSE ASSY HWH02HP x 48"  
ROD END - ALWAYS PRESSURIZED -  
MUST BE HIGH PRESSURE HOSES OF  
EQUAL LENGTH AND DIAMETER

(F) AP24818 HOSE ASSY HWH02HP x 86"  
CAP END - MUST MAINTAIN EQUAL  
LENGTH AND DIAMETER



LOCATION AND ORIENTATION OF  
PUMP/MANIFOLD ASSEMBLY WILL  
DIFFER DEPENDING UPON O.E.M.



NOTE: INSTALLATION MUST CONFORM TO GOOD SHOP PRACTICES, SAE STANDARDS, RVIA STANDARDS, AND OTHER APPLICABLE STANDARDS.

MP70419 B/D  
10AUG11

NOTE: HOSES (E) AND (F) ARE INCLUDED WITH THE ROOM EXTENSION MECHANISM

(A) .25 ID HOSE  
ROD END - ALWAYS PRESSURIZED

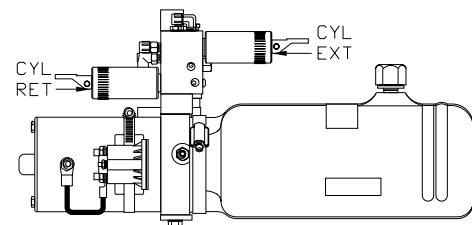
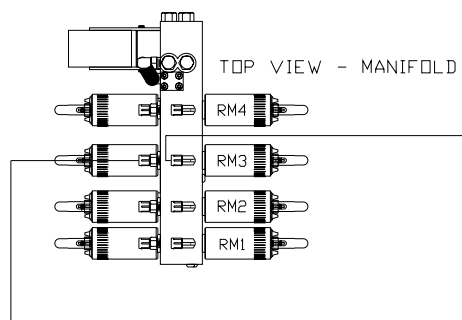
(B) .25 ID HOSE  
CAP END

(C) .125 ID HP HOSE  
ROD END - ALWAYS PRESSURIZED  
HOSES MUST BE HIGH PRESSURE  
HOSES OF EQUAL LENGTH AND DIAMETER

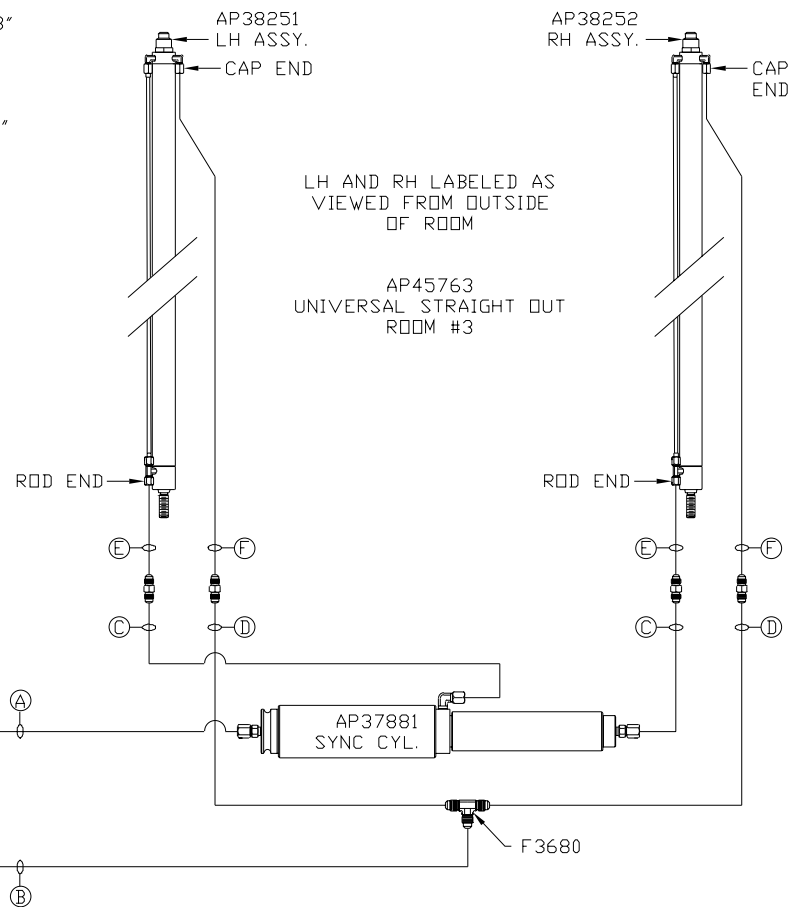
(D) .25 ID HOSE  
CAP END - HOSES MUST MAINTAIN  
EQUAL LENGTH AND DIAMETER

(E) AP24632 HOSE ASSY HWH02HP x 48"  
ROD END - ALWAYS PRESSURIZED -  
MUST BE HIGH PRESSURE HOSES OF  
EQUAL LENGTH AND DIAMETER

(F) AP24818 HOSE ASSY HWH02HP x 86"  
CAP END - MUST MAINTAIN EQUAL  
LENGTH AND DIAMETER



LOCATION AND ORIENTATION OF  
PUMP/MANIFOLD ASSEMBLY WILL  
DIFFER DEPENDING UPON O.E.M.



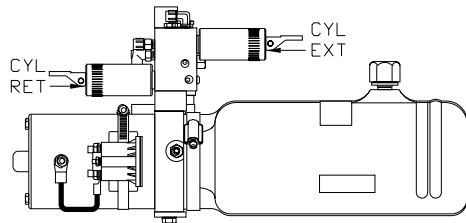
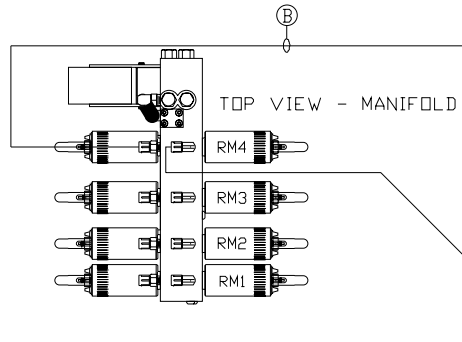
NOTE: INSTALLATION MUST CONFORM TO GOOD SHOP PRACTICES, SAE STANDARDS, RVIA STANDARDS, AND OTHER APPLICABLE STANDARDS.

MP70419 C/D  
10AUG11

NOTE: HOSES ① AND ② ARE INCLUDED WITH THE ROOM EXTENSION MECHANISM

- Ⓐ .25 ID HOSE  
ROD END - ALWAYS PRESSURIZED
- Ⓑ .25 ID HOSE  
CAP END (ROOM)
- Ⓒ .25 ID HOSE  
ROD END - ALWAYS PRESSURIZED (LIFT)
- Ⓓ .25 ID HOSE  
CAP END (ROOM)
- Ⓔ .25 ID HOSE  
CAP END (LIFT)
- Ⓕ .25 ID HOSE  
CAP END (ROOM)

- Ⓖ .125 ID HP HOSE  
ROD END - ALWAYS PRESSURIZED  
HOSES MUST BE HIGH PRESSURE  
HOSES OF EQUAL LENGTH AND DIAMETER
- Ⓗ .25 ID HOSE  
CAP END - HOSES MUST MAINTAIN  
EQUAL LENGTH AND DIAMETER
- ① AP24632 HOSE ASSY HWH02HP x 48"  
ROD END - ALWAYS PRESSURIZED -  
MUST BE HIGH PRESSURE HOSES OF  
EQUAL LENGTH AND DIAMETER
- ② AP24818 HOSE ASSY HWH02HP x 86"  
CAP END - MUST MAINTAIN EQUAL  
LENGTH AND DIAMETER



LOCATION AND ORIENTATION OF PUMP/MANIFOLD ASSEMBLY WILL DIFFER DEPENDING UPON O.E.M.

NOTE: INSTALLATION MUST CONFORM TO GOOD SHOP PRACTICES, SAE STANDARDS, RVIA STANDARDS, AND OTHER APPLICABLE STANDARDS.

