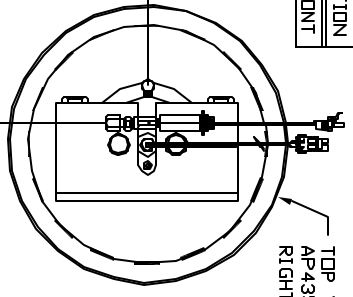
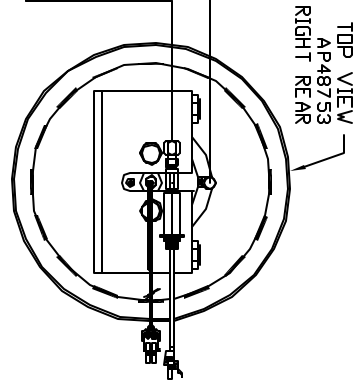


ORIENTATION  
FRONT

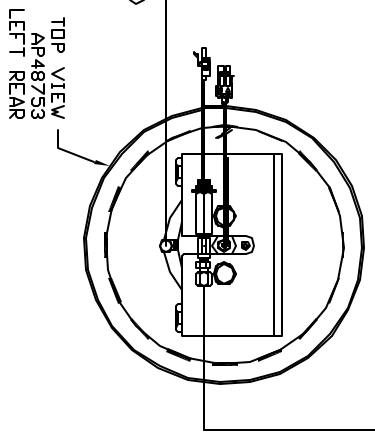
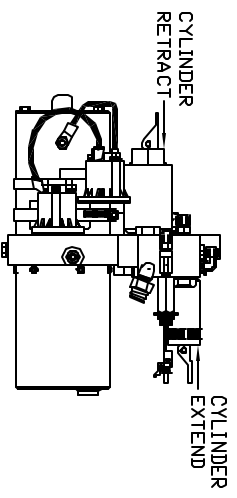
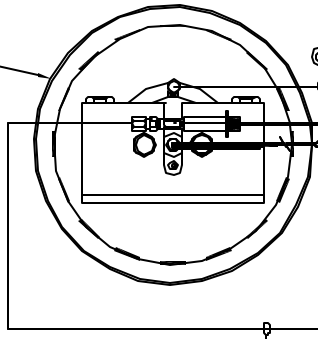
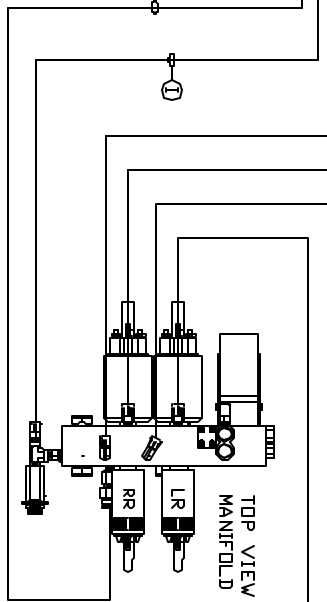
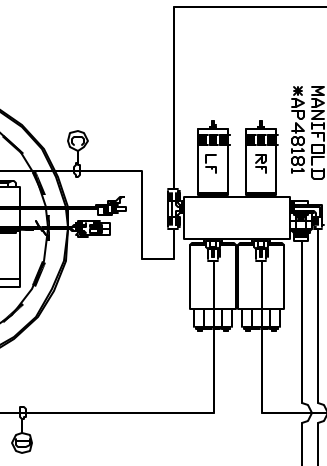


- Ⓐ AP4061 HOSE ASSY .25" X 216" ROD END RIGHT FRONT JACK
- Ⓑ AP31034 HOSE ASSY .313" X 228" CAP END RIGHT FRONT JACK
- Ⓒ AP6115 HOSE ASSY .25" X 168" ROD END LEFT FRONT JACK
- Ⓓ AP23233 HOSE ASSY .313" X 168" CAP END LEFT FRONT JACK
- Ⓔ AP13851 HOSE ASSY .25" X 318" ROD END LEFT REAR JACK

- Ⓕ AP17476 HOSE ASSY .313" X 318" CAP END LEFT REAR JACK
- Ⓖ AP4164 HOSE ASSY .25" X 384" ROD END RIGHT REAR JACK
- Ⓖ AP42174 HOSE ASSY .313" X 384" CAP END RIGHT REAR JACK
- Ⓣ \*AP4060 HOSE ASSY .25" X 24" DR AP3314 HOSE ASSY .25" X 48" PRESSURE
- Ⓢ \*M401501 NYLON TUBING .5" OD DR P4903 RETURN LINE .5" X 48" RETURN



TOP VIEW  
MANIFOLD  
\*AP48181



NOTE: INSTALLATION MUST CONFORM TO GOOD SHOP PRACTICES, SAE STANDARDS, RYLA STANDARDS, AND OTHER APPLICABLE STANDARDS.

NO.	DATE	REVISION
1	05FEB13	UPDATED HOSES

THE INFORMATION DISCLOSED IN THIS DRAWING IS CONFIDENTIAL AND MUST NOT BE DISCLOSED OR USED IN ANY MANNER WHICH WILL BE DETRIMENTAL TO THE IRI CORPORATION

HYD CONN DIAGRAM

STAR WAGGONS

DRAWING NUMBER  
MP70410

HWH 1-80 EXT 267 SOUTH  
RT 1 MOSCOV, IOWA 52760

SCALE 1:6 DATE 24 JUN 11 DRAWN BY .