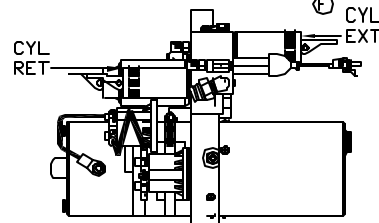
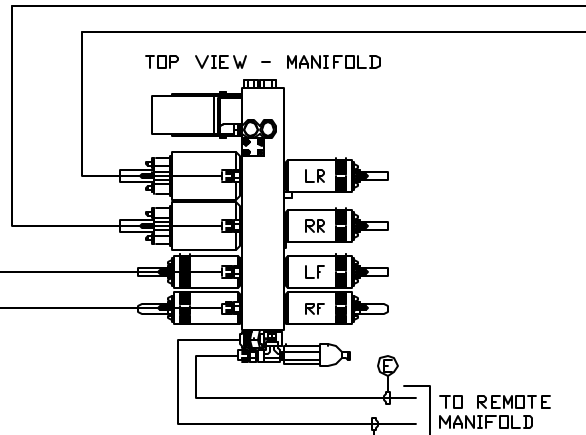
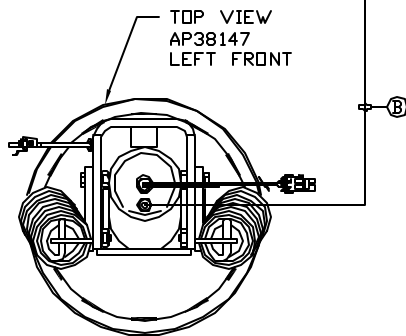
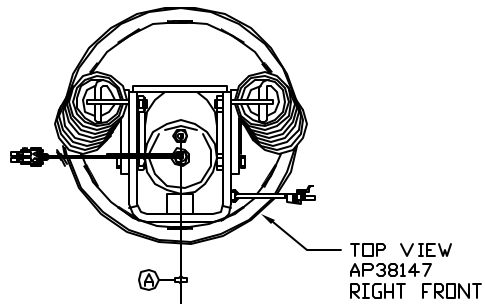
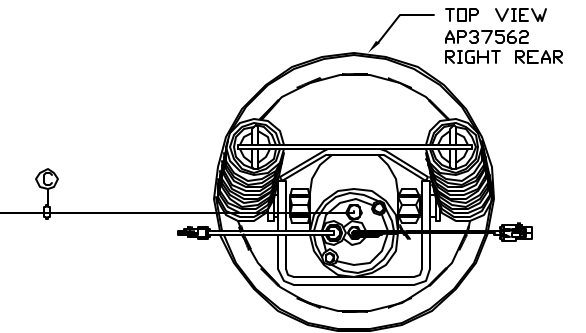


ORIENTATION
 FRONT

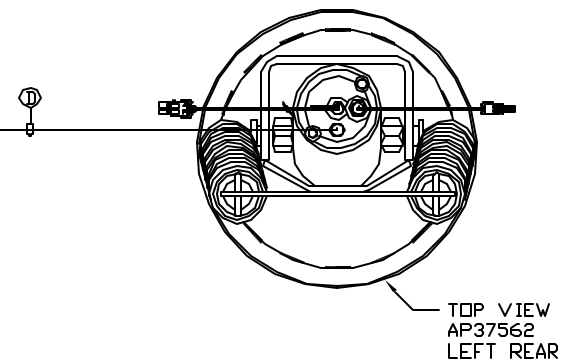


SIDE VIEW PUMP/MANIFOLD-AP46965
 LOCATION AND ORIENTATION OF
 PUMP/MANIFOLD ASSEMBLY WILL
 DIFFER DEPENDING UPON D.E.M.



- Ⓐ AP4162 HOSE ASSY .25" X 192"
- Ⓑ AP7385 HOSE ASSY .25" X 252"
- Ⓒ AP31034 HOSE ASSY .313" X 228"
- Ⓓ AP42093 HOSE ASSY .313" X 276"
- Ⓔ HOSE ASSY .25 ID
- Ⓕ RETURN LINE .5 ID

NOTE: CROSS TIES REQUIRED
 FOR REAR JACKS



NOTE: INSTALLATION MUST CONFORM TO GOOD SHOP PRACTICES, SAE STANDARDS, RVIA STANDARDS, AND OTHER APPLICABLE STANDARDS.

LEVELING SYSTEM: AP46604

Ⓐ	06MAY15	WAS .25" FITTINGS
1	01AUG12	ADDED ROOM KIT NUMBERS
NO.	DATE	REVISION

THE INFORMATION DISCLOSED ON THIS DRAWING IS CONFIDENTIAL AND MUST NOT BE DISCLOSED OR USED IN ANY MANNER WHICH WILL BE DETRIMENTAL TO THE HWH CORPORATION

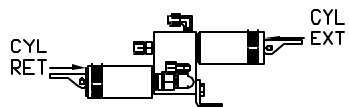
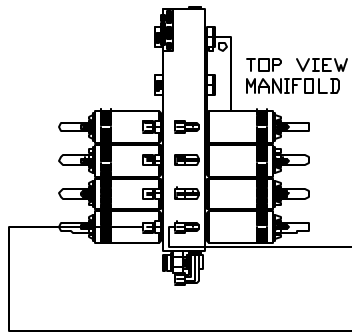
HWH		I-80 EXIT 267 SOUTH RT 1 MOSCOW, IDWA 52760	
SCALE 1:6	DATE 06JUL10	DRAWN BY .	
HYD CONN DIAGRAM			
SVI TRUCKS			DRAWING NUMBER MP70299 A/E

*: PART OF THE ROOM
EXTENSION MECHANISM.

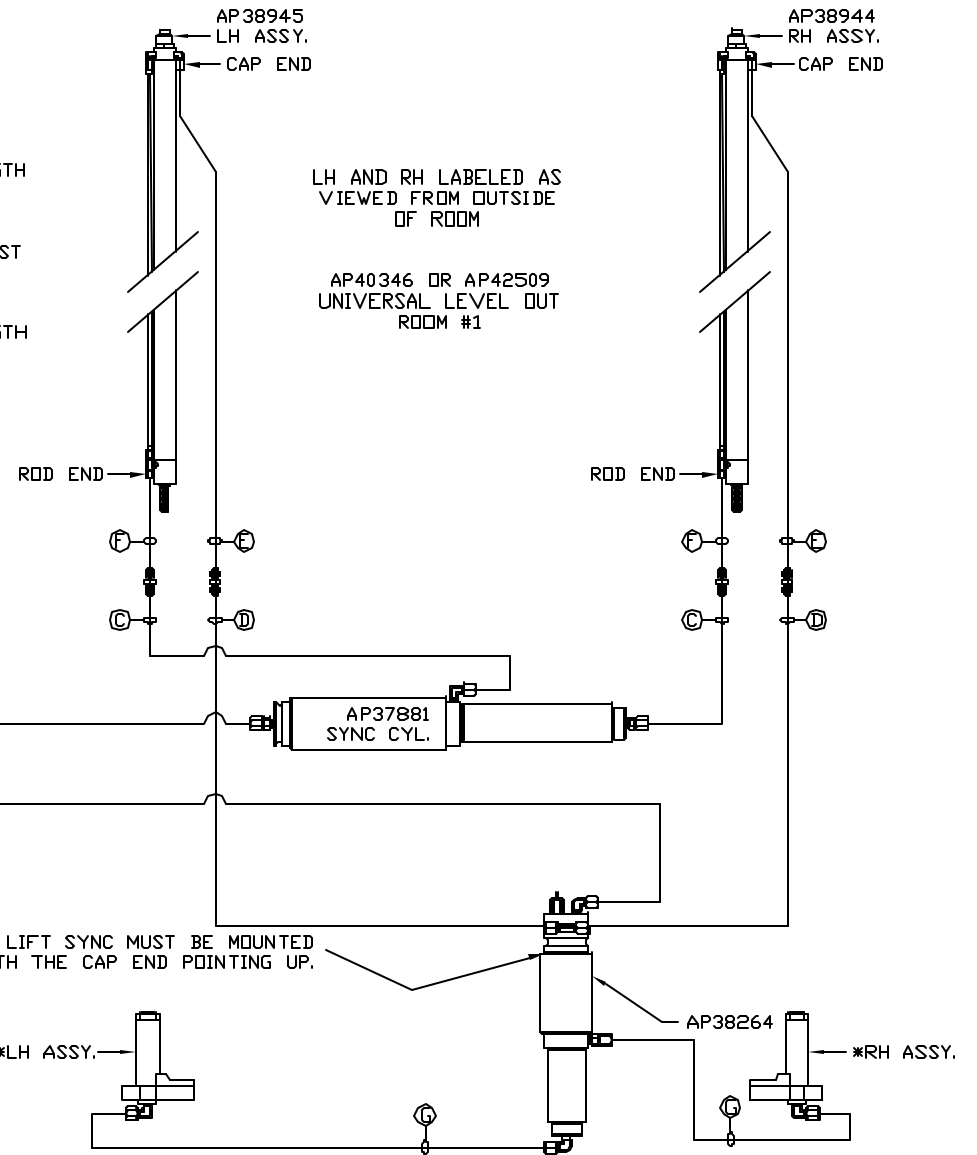
- Ⓐ .25" ID HOSE
ROD END - ALWAYS PRESSURIZED
- Ⓑ .25" ID HOSE
CAP END
- Ⓒ .125" ID DR O3 HOSE
ROD END - ALWAYS PRESSURIZED - MUST
MAINTAIN EQUAL LENGTH AND DIAMETER
- Ⓓ .25" ID HOSE
CAP END - MUST MAINTAIN EQUAL LENGTH
AND DIAMETER

NOTE: ITEMS Ⓒ AND Ⓓ ARE INCLUDED
WITH THE ROOM EXTENSION MECHANISM.

- Ⓔ AP24818 HOSE ASSY HWH02HP x 86"
CAP END - MUST MAINTAIN EQUAL LENGTH
AND DIAMETER
- Ⓕ AP24632 HOSE ASSY HWH02HP x 48"
ROD END - ALWAYS PRESSURIZED - MUST
MAINTAIN EQUAL LENGTH AND DIAMETER
- Ⓖ .125" ID DR O3 HOSE
CAP END - MUST MAINTAIN EQUAL LENGTH
AND DIAMETER



SIDE VIEW MANIFOLD-AP46854
LOCATION AND ORIENTATION OF
MANIFOLD ASSEMBLY WILL
DIFFER DEPENDING UPON D.E.M.



NOTE: INSTALLATION MUST CONFORM TO GOOD SHOP PRACTICES, SAE
STANDARDS, RVIA STANDARDS, AND OTHER APPLICABLE STANDARDS.

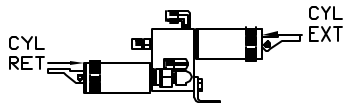
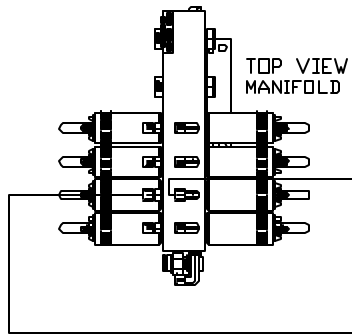
MP70299 B/E
01AUG12

*: PART OF THE ROOM
EXTENSION MECHANISM.

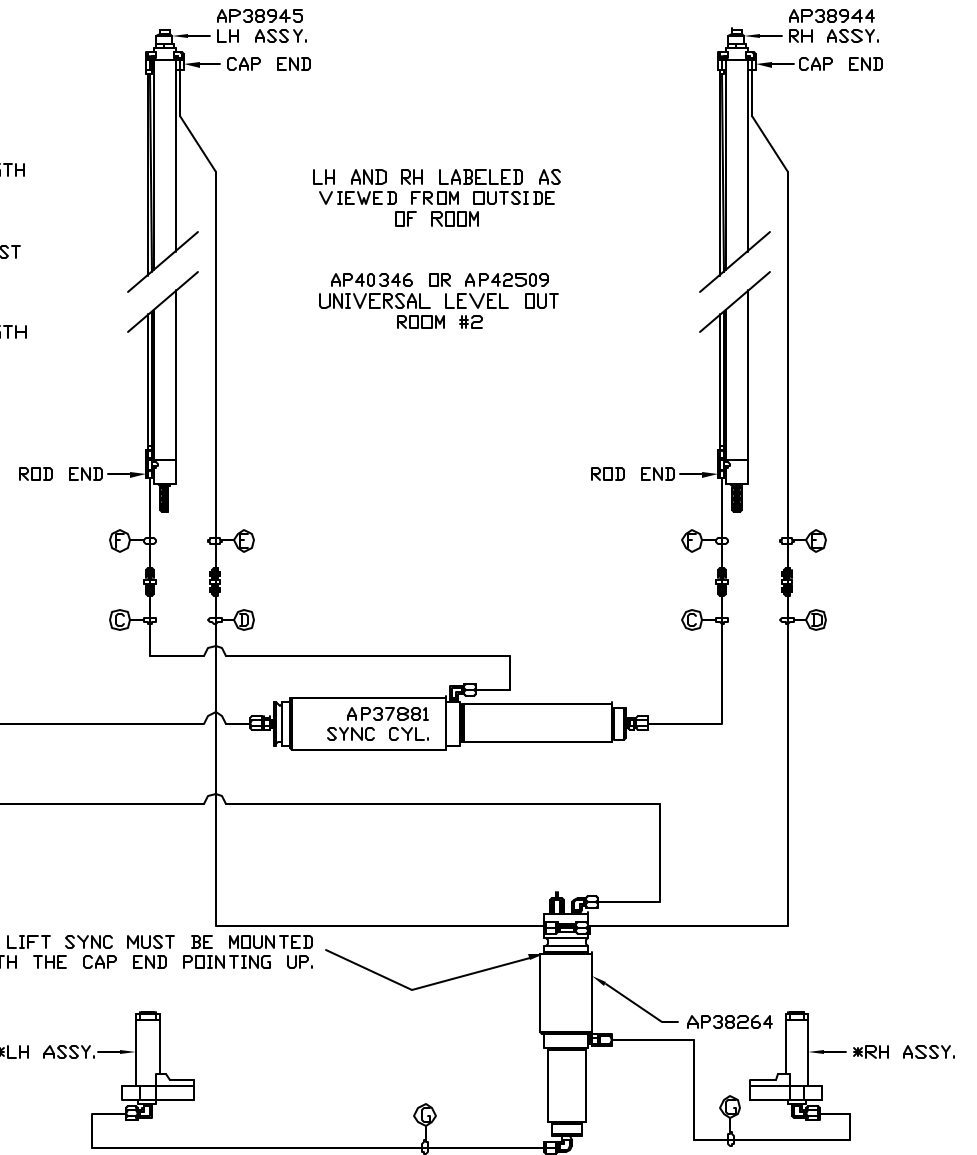
- Ⓐ .25" ID HOSE
ROD END - ALWAYS PRESSURIZED
- Ⓑ .25" ID HOSE
CAP END
- Ⓒ .125" ID DR O3 HOSE
ROD END - ALWAYS PRESSURIZED - MUST
MAINTAIN EQUAL LENGTH AND DIAMETER
- Ⓓ .25" ID HOSE
CAP END - MUST MAINTAIN EQUAL LENGTH
AND DIAMETER

NOTE: ITEMS Ⓒ AND Ⓓ ARE INCLUDED
WITH THE ROOM EXTENSION MECHANISM.

- Ⓔ AP24818 HOSE ASSY HWH02HP x 86"
CAP END - MUST MAINTAIN EQUAL LENGTH
AND DIAMETER
- Ⓕ AP24632 HOSE ASSY HWH02HP x 48"
ROD END - ALWAYS PRESSURIZED - MUST
MAINTAIN EQUAL LENGTH AND DIAMETER
- Ⓖ .125" ID DR O3 HOSE
CAP END - MUST MAINTAIN EQUAL LENGTH
AND DIAMETER



SIDE VIEW MANIFOLD-AP46854
LOCATION AND ORIENTATION OF
MANIFOLD ASSEMBLY WILL
DIFFER DEPENDING UPON O.E.M.



NOTE: INSTALLATION MUST CONFORM TO GOOD SHOP PRACTICES, SAE
STANDARDS, RVIA STANDARDS, AND OTHER APPLICABLE STANDARDS.

MP70299 C/E
01AUG12

*: PART OF THE ROOM
EXTENSION MECHANISM.

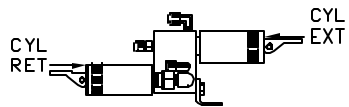
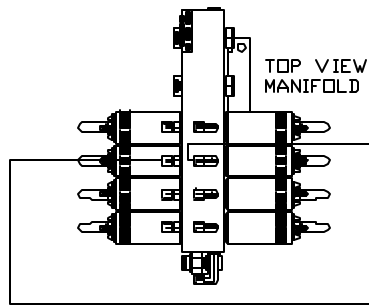
- Ⓐ .25" ID HOSE
ROD END - ALWAYS PRESSURIZED
- Ⓑ .25" ID HOSE
CAP END
- Ⓒ .125" ID DR O3 HOSE
ROD END - ALWAYS PRESSURIZED - MUST
MAINTAIN EQUAL LENGTH AND DIAMETER
- Ⓓ .25" ID HOSE
CAP END - MUST MAINTAIN EQUAL LENGTH
AND DIAMETER

NOTE: ITEMS Ⓒ AND Ⓓ ARE INCLUDED
WITH THE ROOM EXTENSION MECHANISM.

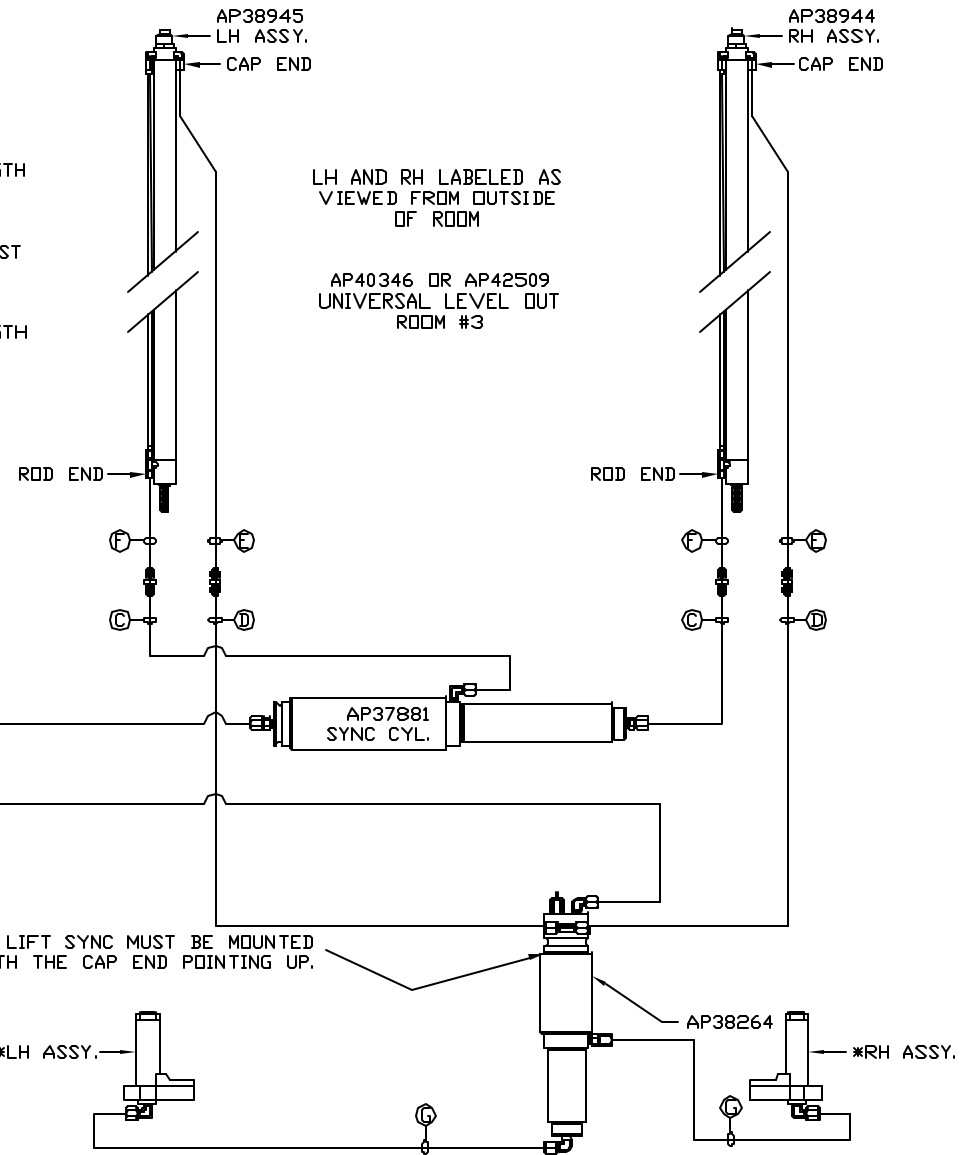
- Ⓔ AP24818 HOSE ASSY HWH02HP x 86"
CAP END - MUST MAINTAIN EQUAL LENGTH
AND DIAMETER
- Ⓕ AP24632 HOSE ASSY HWH02HP x 48"
ROD END - ALWAYS PRESSURIZED - MUST
MAINTAIN EQUAL LENGTH AND DIAMETER
- Ⓖ .125" ID DR O3 HOSE
CAP END - MUST MAINTAIN EQUAL LENGTH
AND DIAMETER

LH AND RH LABELED AS
VIEWED FROM OUTSIDE
OF ROOM

AP40346 OR AP42509
UNIVERSAL LEVEL OUT
ROOM #3



SIDE VIEW MANIFOLD-AP46854
LOCATION AND ORIENTATION OF
MANIFOLD ASSEMBLY WILL
DIFFER DEPENDING UPON D.E.M.



NOTE: LIFT SYNC MUST BE MOUNTED
WITH THE CAP END POINTING UP.

NOTE: INSTALLATION MUST CONFORM TO GOOD SHOP PRACTICES, SAE
STANDARDS, RVIA STANDARDS, AND OTHER APPLICABLE STANDARDS.

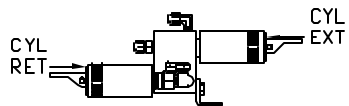
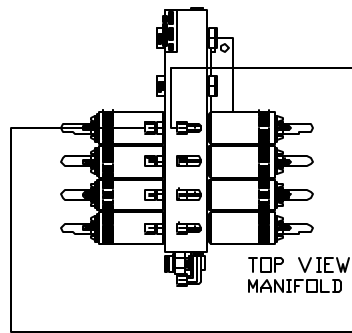
MP70299 D/E
01AUG12

*: PART OF THE ROOM
EXTENSION MECHANISM.

- Ⓐ .25" ID HOSE
ROD END - ALWAYS PRESSURIZED
- Ⓑ .25" ID HOSE
CAP END
- Ⓒ .125" ID DR O3 HOSE
ROD END - ALWAYS PRESSURIZED - MUST
MAINTAIN EQUAL LENGTH AND DIAMETER
- Ⓓ .25" ID HOSE
CAP END - MUST MAINTAIN EQUAL LENGTH
AND DIAMETER

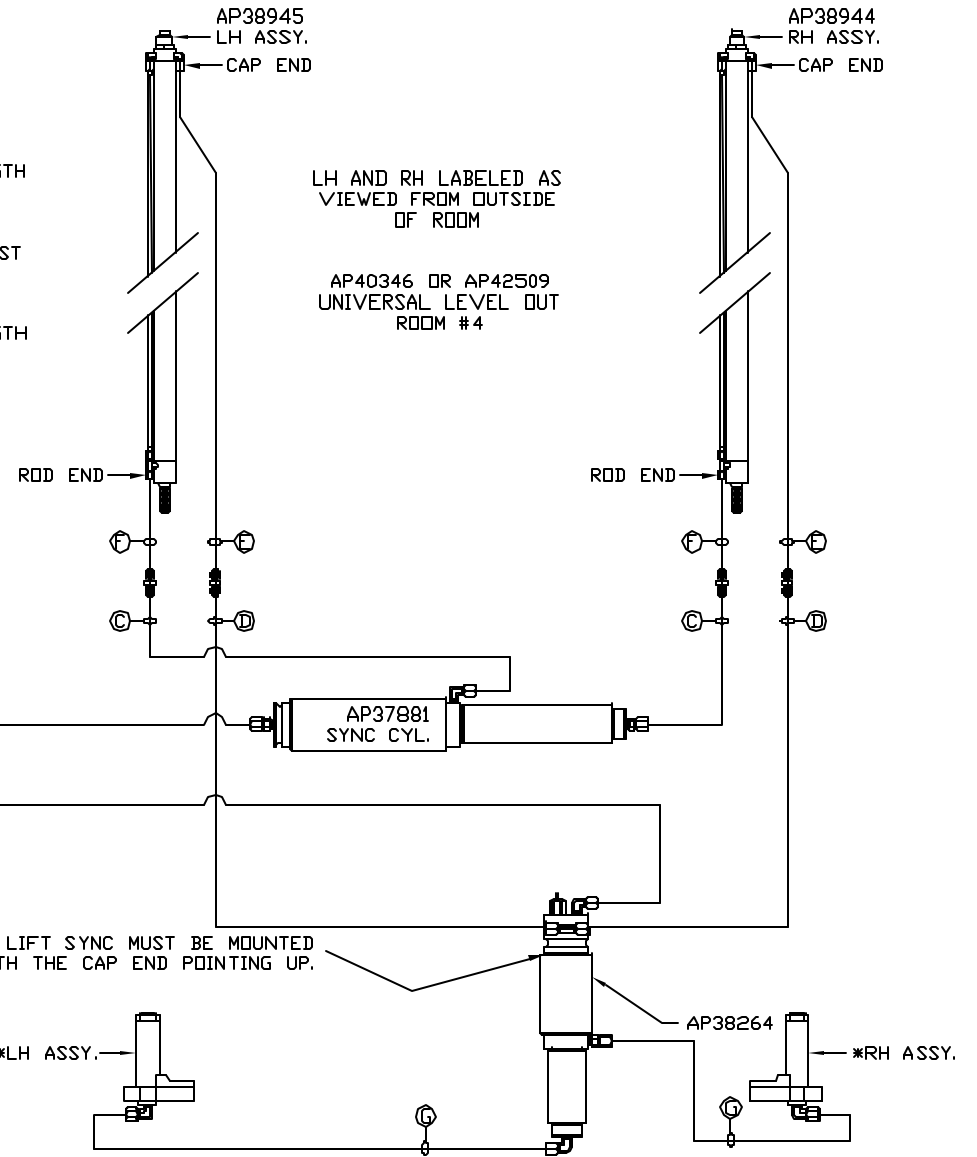
NOTE: ITMES Ⓒ AND Ⓓ ARE INCLUDED
WITH THE ROOM EXTENSION MECHANISM.

- Ⓔ AP24818 HOSE ASSY HWH02HP x 86"
CAP END - MUST MAINTAIN EQUAL LENGTH
AND DIAMETER
- Ⓕ AP24632 HOSE ASSY HWH02HP x 48"
ROD END - ALWAYS PRESSURIZED - MUST
MAINTAIN EQUAL LENGTH AND DIAMETER
- Ⓖ .125" ID DR O3 HOSE
CAP END - MUST MAINTAIN EQUAL LENGTH
AND DIAMETER



SIDE VIEW MANIFOLD-AP46854
LOCATION AND ORIENTATION OF
MANIFOLD ASSEMBLY WILL
DIFFER DEPENDING UPON D.E.M.

NOTE: INSTALLATION MUST CONFORM TO GOOD SHOP PRACTICES, SAE
STANDARDS, RVIA STANDARDS, AND OTHER APPLICABLE STANDARDS.



MP70299 E/E
01AUG12