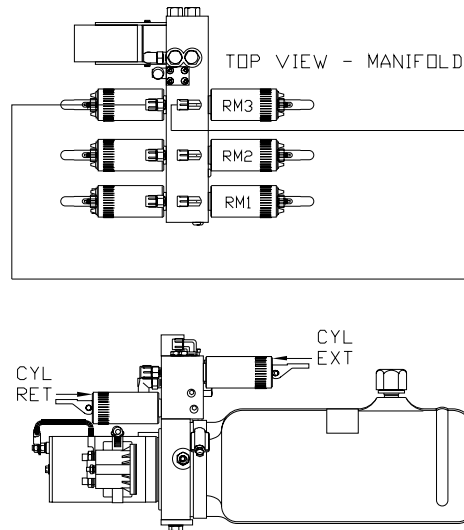


NOTE: HOSES (E) AND (F) ARE INCLUDED WITH THE ROOM EXTENSION MECHANISM

- (A) .25 ID HOSE
ROD END - ALWAYS PRESSURIZED
- (B) .25 ID HOSE
CAP END
- (C) .125 ID HP HOSE
ROD END - ALWAYS PRESSURIZED
HOSES MUST BE HIGH PRESSURE
HOSES OF EQUAL LENGTH AND DIAMETER
- (D) .25 ID HOSE
CAP END - HOSES MUST MAINTAIN
EQUAL LENGTH AND DIAMETER

- (E) AP24632 HOSE ASSY HWH02HP x 48"
ROD END - ALWAYS PRESSURIZED -
MUST BE HIGH PRESSURE HOSES OF
EQUAL LENGTH AND DIAMETER
- (F) AP24818 HOSE ASSY HWH02HP x 86"
CAP END - MUST MAINTAIN EQUAL
LENGTH AND DIAMETER

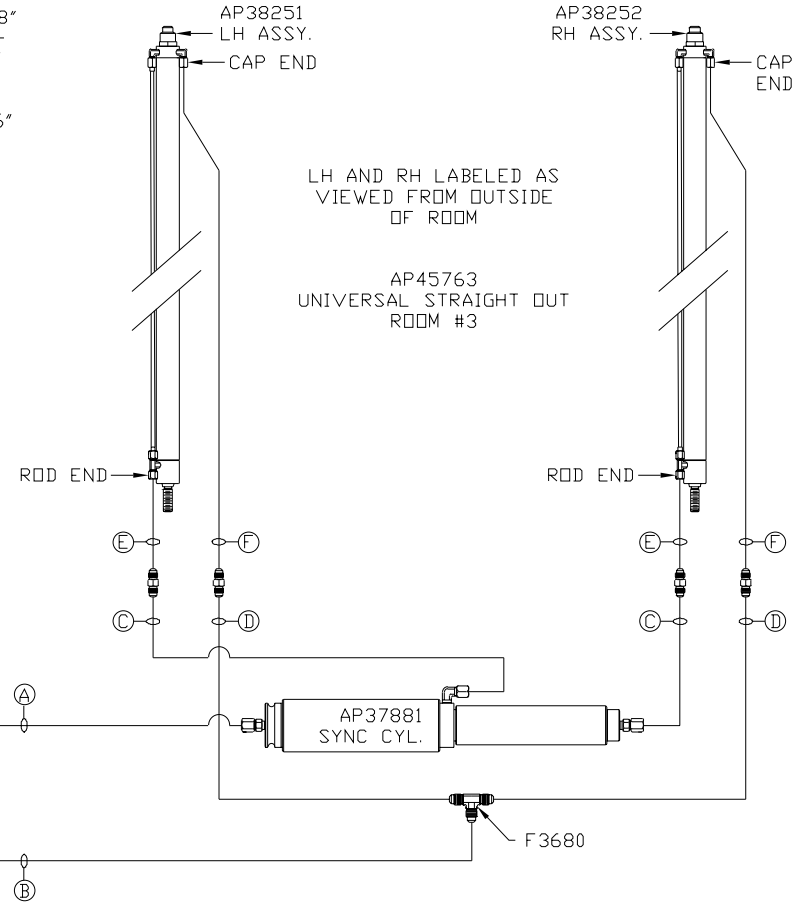


SIDE VIEW PUMP/MANIFOLD-AP45846

LOCATION AND ORIENTATION OF
PUMP/MANIFOLD ASSEMBLY WILL
DIFFER DEPENDING UPON O.E.M.

NOTE: INSTALLATION MUST CONFORM TO GOOD SHOP PRACTICES, SAE
STANDARDS, RVIA STANDARDS, AND OTHER APPLICABLE STANDARDS.

CONTROL PACKAGE: AP45764



			HWH	I-80 EXIT 267 SOUTH RT 1 MOSCOW, IOWA 52760
			SCALE 1:6	DATE 18FEB10
			DRAWN BY .	
NO.	DATE	REVISION	HYD CONN DIAGRAM	
THE INFORMATION DISCLOSED ON THIS DRAWING IS CONFIDENTIAL AND MUST NOT BE DISCLOSED OR USED IN ANY MANNER WHICH WILL BE DETRIMENTAL TO THE HWH CORPORATION			FRONTLINE	
			DRAWING NUMBER MP70224 A/C	

NOTE: HOSES (E) AND (F) ARE INCLUDED WITH THE ROOM EXTENSION MECHANISM

(A) .25 ID HOSE
ROD END - ALWAYS PRESSURIZED

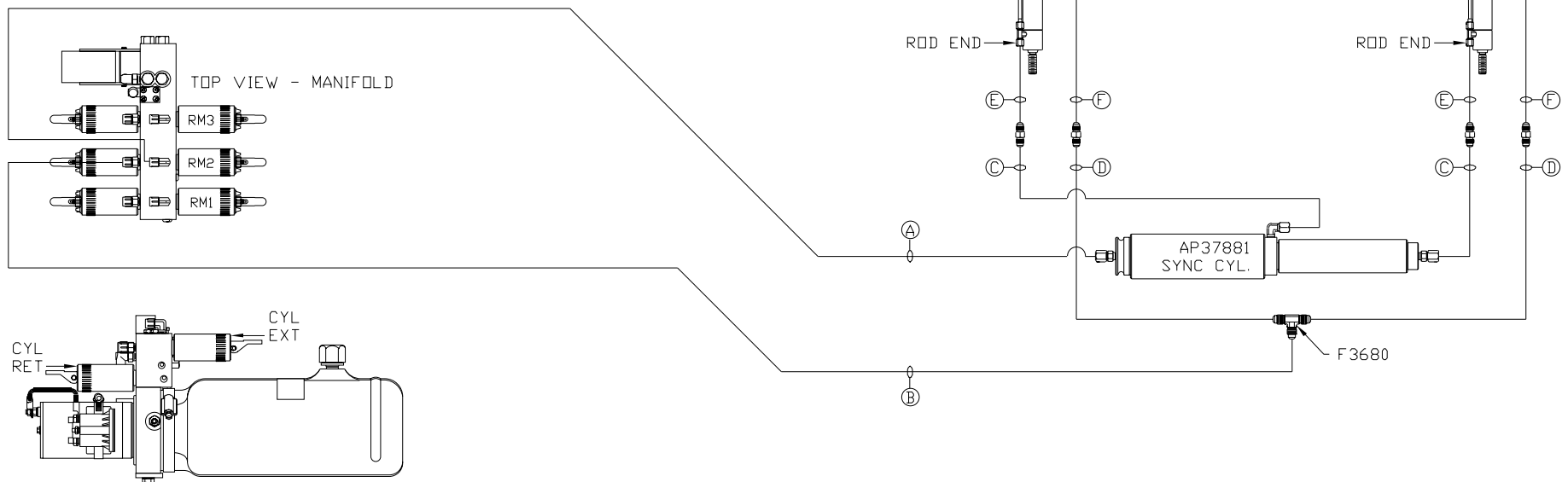
(B) .25 ID HOSE
CAP END

(C) .125 ID HP HOSE
ROD END - ALWAYS PRESSURIZED
HOSES MUST BE HIGH PRESSURE
HOSES OF EQUAL LENGTH AND DIAMETER

(D) .25 ID HOSE
CAP END - HOSES MUST MAINTAIN
EQUAL LENGTH AND DIAMETER

(E) AP24632 HOSE ASSY HWH02HP x 48"
ROD END - ALWAYS PRESSURIZED -
MUST BE HIGH PRESSURE HOSES OF
EQUAL LENGTH AND DIAMETER

(F) AP24818 HOSE ASSY HWH02HP x 86"
CAP END - MUST MAINTAIN EQUAL
LENGTH AND DIAMETER



SIDE VIEW PUMP/MANIFOLD-AP45846

LOCATION AND ORIENTATION OF
PUMP/MANIFOLD ASSEMBLY WILL
DIFFER DEPENDING UPON O.E.M.

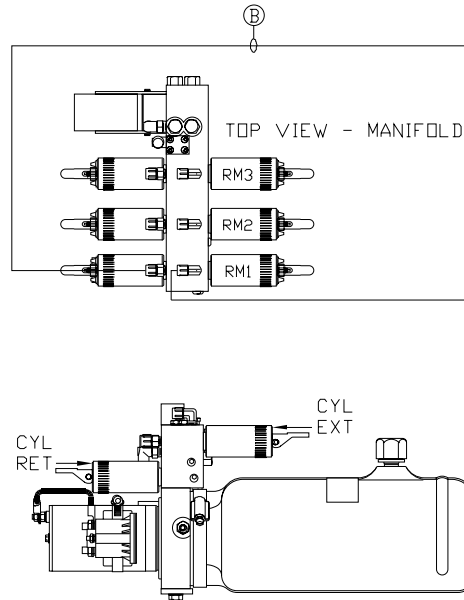
NOTE: INSTALLATION MUST CONFORM TO GOOD SHOP PRACTICES, SAE STANDARDS, RVIA STANDARDS, AND OTHER APPLICABLE STANDARDS.

MP70221 B/C
18FEB10

NOTE: HOSES ① AND ② ARE INCLUDED WITH THE ROOM EXTENSION MECHANISM

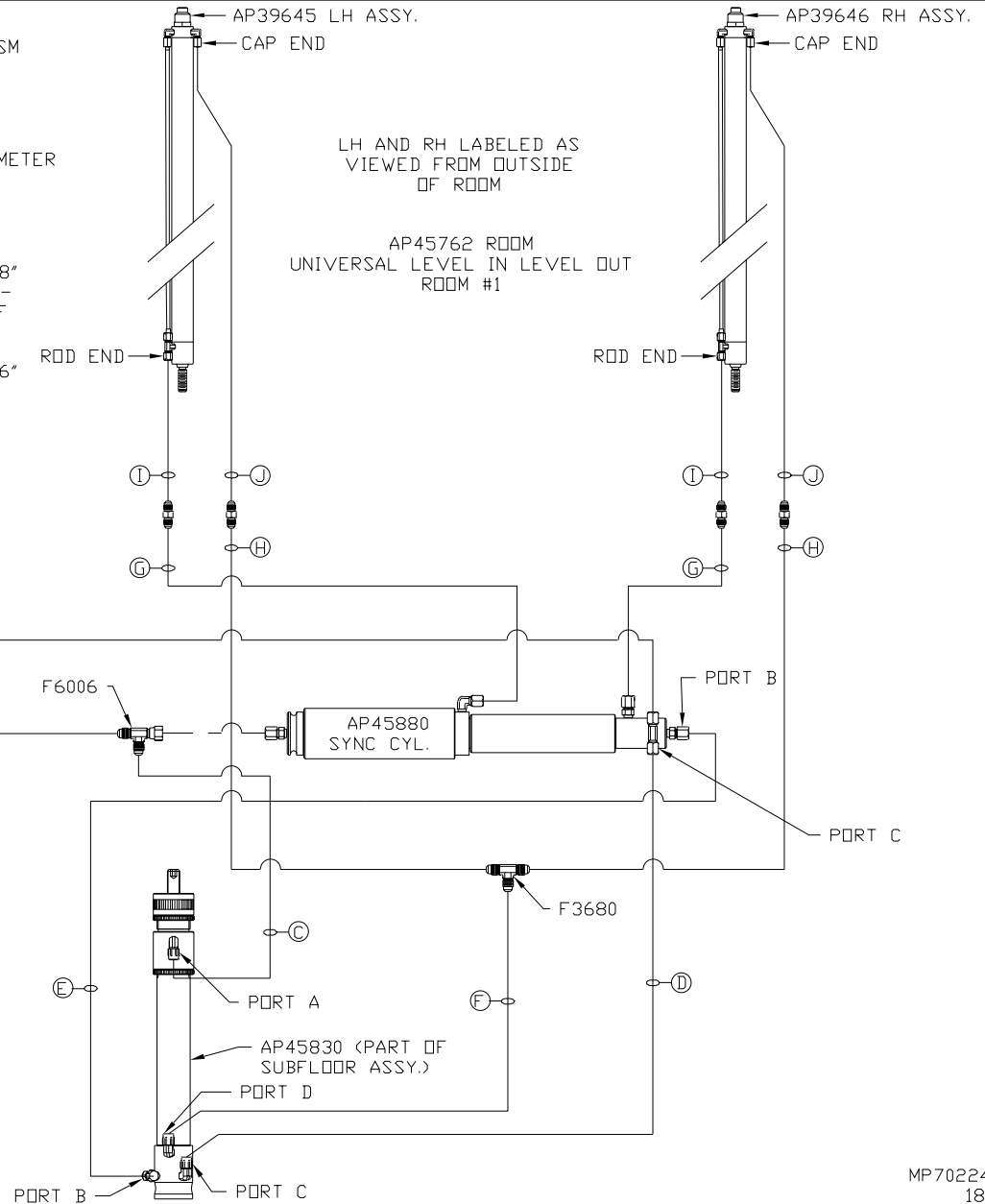
- Ⓐ .25 ID HOSE
ROD END - ALWAYS PRESSURIZED
- Ⓑ .25 ID HOSE
CAP END (ROOM)
- Ⓒ .25 ID HOSE
ROD END - ALWAYS PRESSURIZED (LIFT)
- Ⓓ .25 ID HOSE
CAP END (ROOM)
- Ⓔ .25 ID HOSE
CAP END (LIFT)
- Ⓕ .25 ID HOSE
CAP END (ROOM)

- Ⓖ .125 ID HP HOSE
ROD END - ALWAYS PRESSURIZED
HOSES MUST BE HIGH PRESSURE
HOSES OF EQUAL LENGTH AND DIAMETER
- Ⓗ .25 ID HOSE
CAP END - HOSES MUST MAINTAIN
EQUAL LENGTH AND DIAMETER
- ① AP24632 HOSE ASSY HWH02HP x 48"
ROD END - ALWAYS PRESSURIZED -
MUST BE HIGH PRESSURE HOSES OF
EQUAL LENGTH AND DIAMETER
- ② AP24818 HOSE ASSY HWH02HP x 86"
CAP END - MUST MAINTAIN EQUAL
LENGTH AND DIAMETER



SIDE VIEW PUMP/MANIFOLD-AP45846
LOCATION AND ORIENTATION OF
PUMP/MANIFOLD ASSEMBLY WILL
DIFFER DEPENDING UPON O.E.M.

NOTE: INSTALLATION MUST CONFORM TO GOOD SHOP PRACTICES, SAE STANDARDS, RVIA STANDARDS, AND OTHER APPLICABLE STANDARDS.



MP70224 C/C
18FEB10