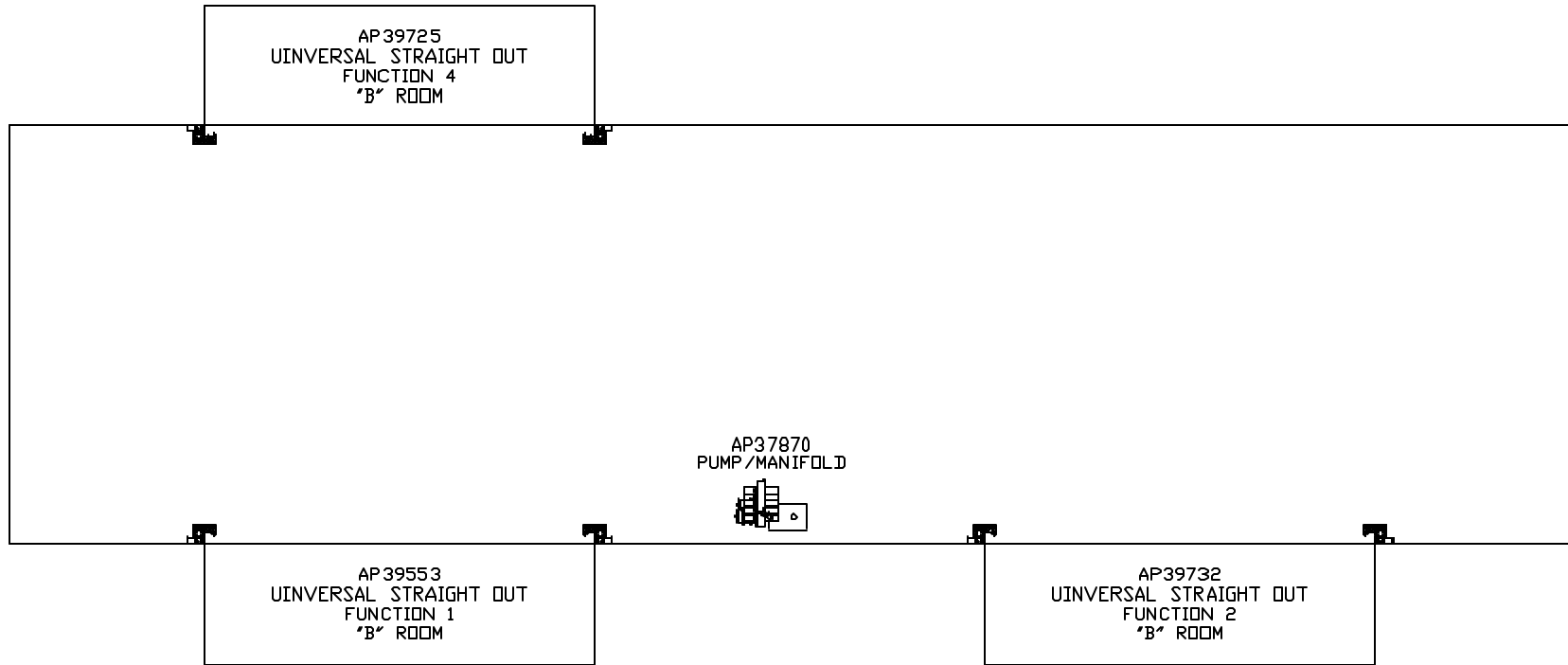


ORIENTATION  
 ← FRONT



		HWH		I-80 EXIT 267 SOUTH	
				RT 1 MOSCOW, IOWA 52760	
		SCALE 1:6	DATE 22SEP09	DRAWN BY .	
		HYD CONN DIAGRAM			
NO.	DATE	REVISION			
		FORETRAVEL		DRAWING NUMBER	
				MP70193 A/D	

NOTE: INSTALLATION MUST CONFORM TO GOOD SHOP PRACTICES, SAE STANDARDS, RVIA STANDARDS, AND OTHER APPLICABLE STANDARDS. LEVELING SYSTEM: AP45188

THE INFORMATION DISCLOSED ON THIS DRAWING IS CONFIDENTIAL AND MUST NOT BE DISCLOSED OR USED IN ANY MANNER WHICH WILL BE DETRIMENTAL TO THE HWH CORPORATION

**ORIENTATION**

← FRONT

NOTE: HOSES ③ AND ④ ARE INCLUDED WITH THE ROOM EXTENSION MECHANISM

① AP7099 HOSE ASSY .25" x 110"  
ROD END - ALWAYS PRESSURIZED

② AP4074 HOSE ASSY .25" x 108"  
CAP END

③ AP24667 HOSE ASSY HWH02HP x 312"  
ROD END - ALWAYS PRESSURIZED - MUST BE HIGH PRESSURE HOSES OF EQUAL LENGTH AND DIAMETER

④ AP5216 HOSE ASSY .25" x 312"  
CAP END - MUST MAINTAIN EQUAL LENGTH AND DIAMETER

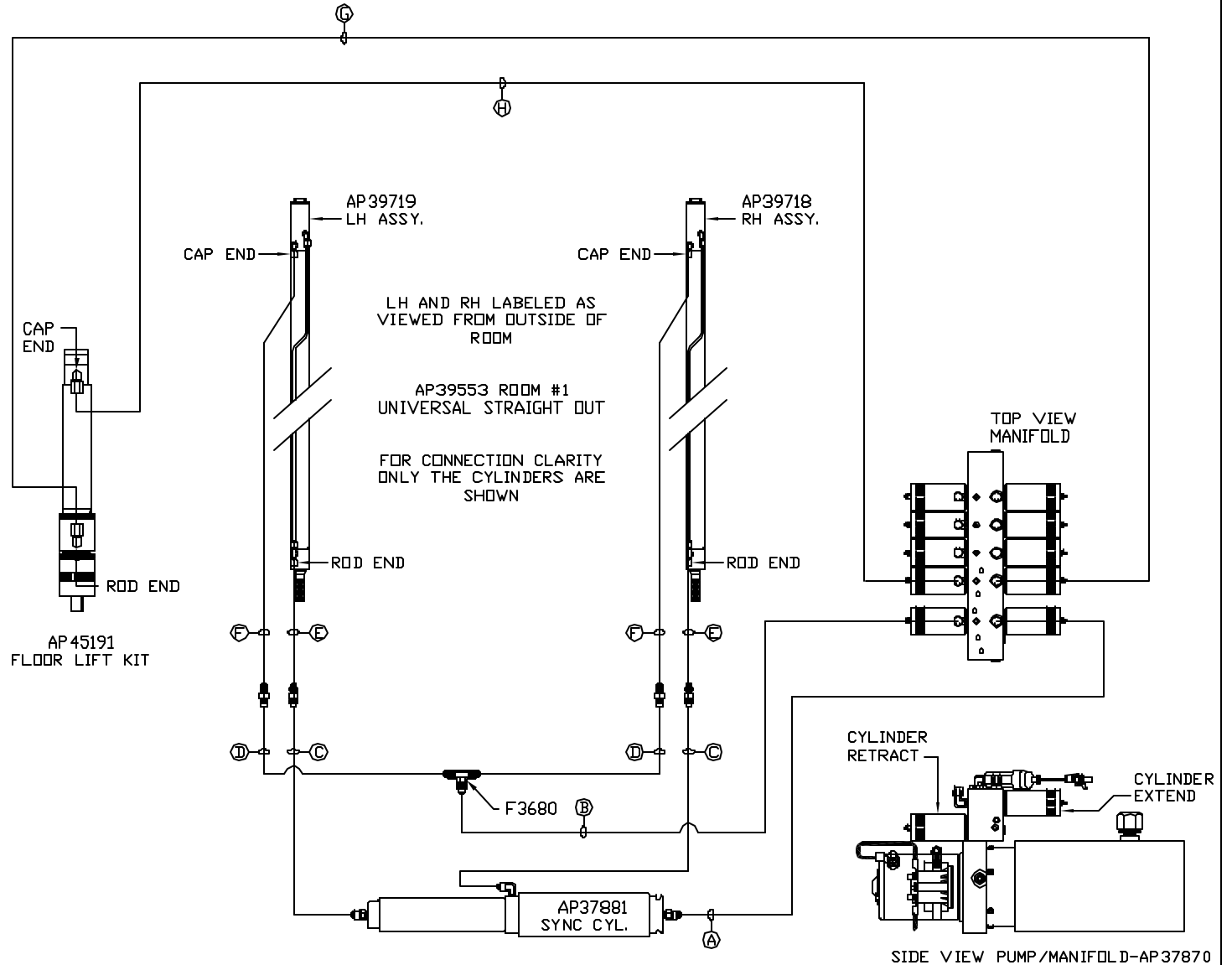
⑤ AP24632 HOSE ASSY HWH02HP x 48"  
ROD END - ALWAYS PRESSURIZED - MUST BE HIGH PRESSURE HOSES OF EQUAL LENGTH AND DIAMETER

⑥ AP24818 HOSE ASSY HWH02HP x 86"  
CAP END - MUST MAINTAIN EQUAL LENGTH AND DIAMETER

⑦ AP1411 HOSE ASSY .25" x 124"  
ROD END - ALWAYS PRESSURIZED

⑧ AP4161 HOSE ASSY .25" x 120"  
CAP END

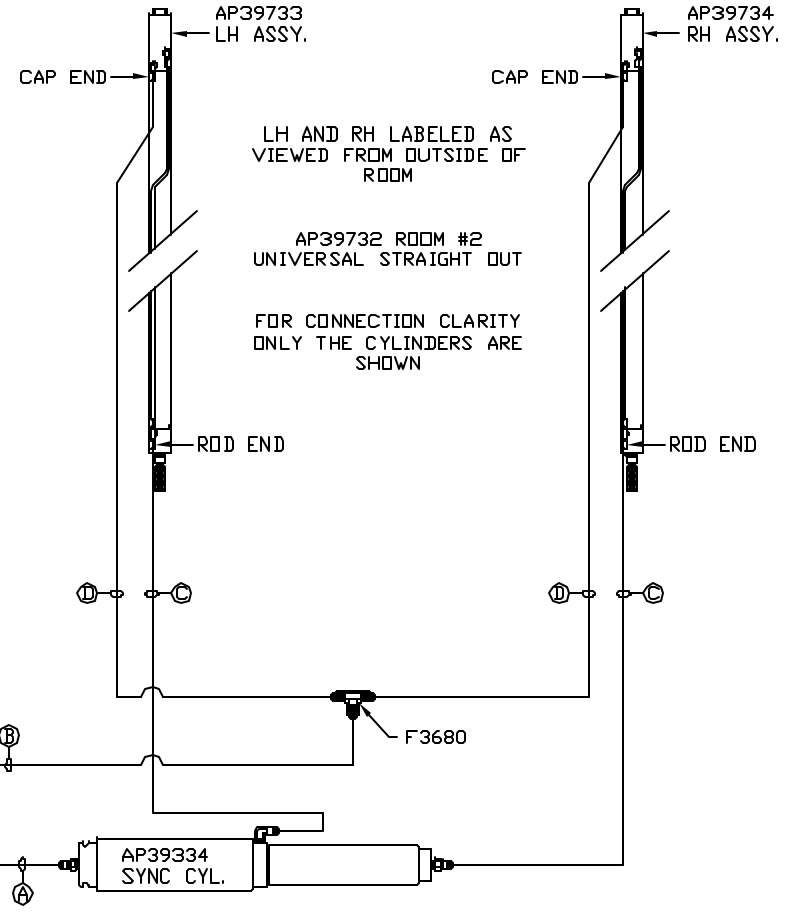
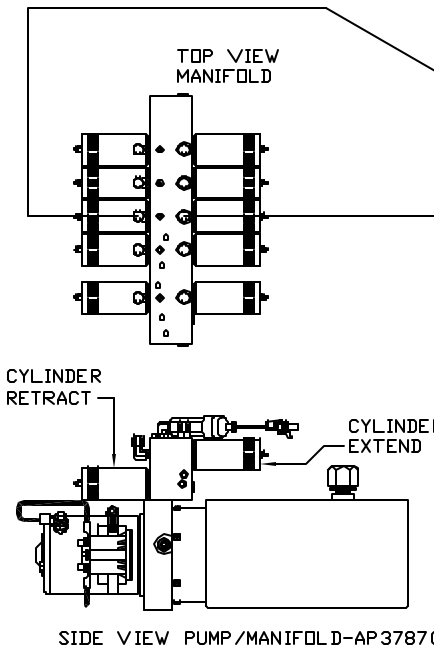
NOTE: INSTALLATION MUST CONFORM TO GOOD SHOP PRACTICES, SAE STANDARDS, RVIA STANDARDS, AND OTHER APPLICABLE STANDARDS.



ORIENTATION
—— FRONT

NOTE: HOSES ③ AND ④ ARE INCLUDED WITH THE ROOM EXTENSION MECHANISM

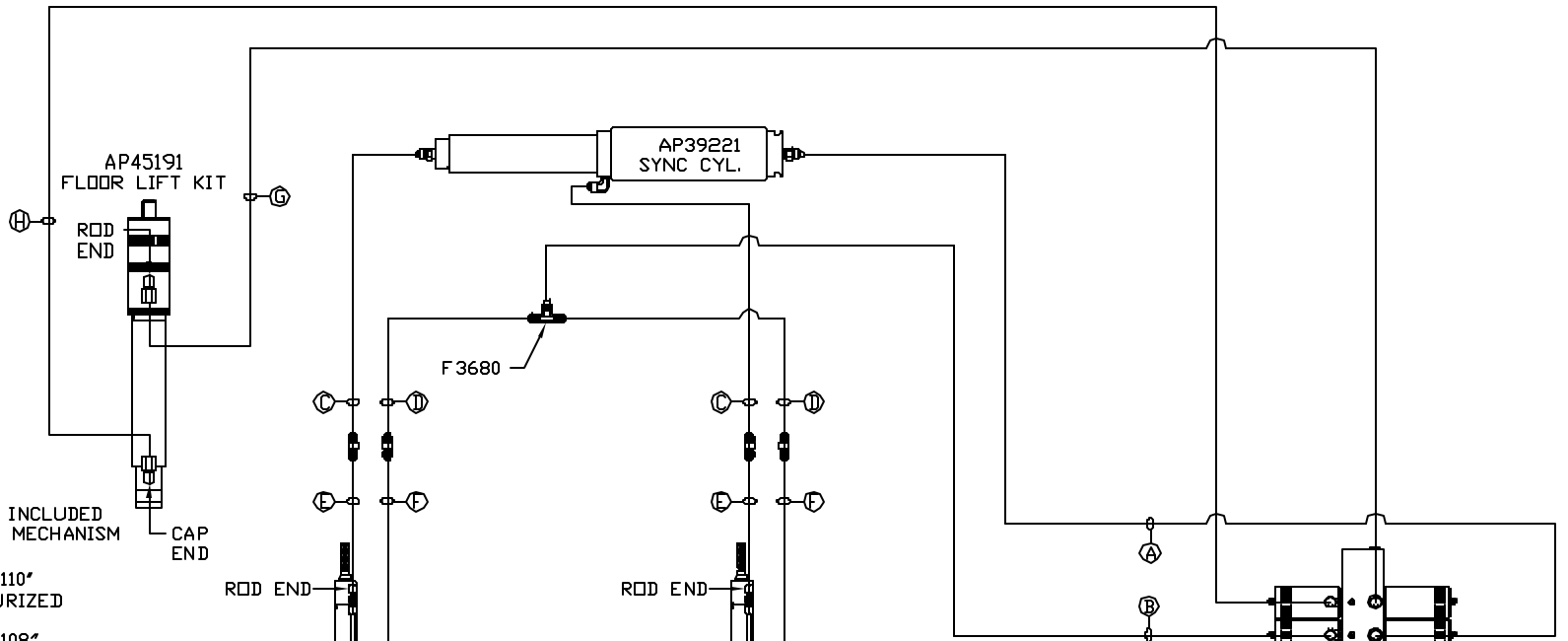
- Ⓐ AP4904 HOSE ASSY .25' x 306'  
ROD END - ALWAYS PRESSURIZED
- Ⓑ AP4064 HOSE ASSY .25' x 300'  
CAP END
- Ⓒ AP24631 HOSE ASSY HWH02HP x 42'  
ROD END - ALWAYS PRESSURIZED - MUST BE HIGH PRESSURE HOSES OF EQUAL LENGTH AND DIAMETER
- Ⓓ AP24637 HOSE ASSY HWH02HP x 66'  
CAP END - MUST MAINTAIN EQUAL LENGTH AND DIAMETER



NOTE: INSTALLATION MUST CONFORM TO GOOD SHOP PRACTICES, SAE STANDARDS, RVIA STANDARDS, AND OTHER APPLICABLE STANDARDS.

MP70193 C/D  
22SEP09

ORIENTATION  
 ← FRONT



NOTE: HOSES (C) AND (F) ARE INCLUDED WITH THE ROOM EXTENSION MECHANISM

- (A) AP7099 HOSE ASSY .25" x 110'  
ROD END - ALWAYS PRESSURIZED
- (B) AP4079 HOSE ASSY .25" x 108"  
CAP END
- (C) AP24667 HOSE ASSY HWH02HP x 312"  
ROD END - ALWAYS PRESSURIZED - MUST BE HIGH PRESSURE HOSES OF EQUAL LENGTH AND DIAMETER
- (D) AP5216 HOSE ASSY .25 x 312"  
CAP END - MUST MAINTAIN EQUAL LENGTH AND DIAMETER
- (E) AP24632 HOSE ASSY HWH02HP x 48"  
ROD END - ALWAYS PRESSURIZED - MUST BE HIGH PRESSURE HOSES OF EQUAL LENGTH AND DIAMETER
- (F) AP24818 HOSE ASSY HWH02HP x 86"  
CAP END - MUST MAINTAIN EQUAL LENGTH AND DIAMETER
- (G) AP1411 HOSE ASSY .25" x 124"  
ROD END - ALWAYS PRESSURIZED
- (H) AP4161 HOSE ASSY .25" x 120"  
CAP END

ROD END

ROD END

LH AND RH LABELED AS VIEWED FROM OUTSIDE OF ROOM

AP39725 ROOM #4 UNIVERSAL STRAIGHT OUT

FOR CONNECTION CLARITY ONLY THE CYLINDERS ARE SHOWN

CAP END

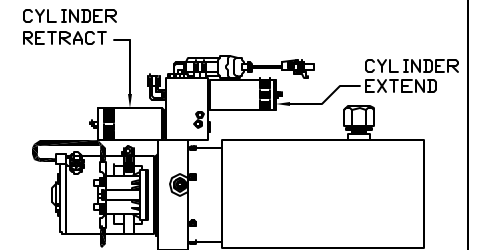
AP39726

← RH ASSY.

CAP END

AP39727

← LH ASSY.



SIDE VIEW PUMP/MANIFOLD-AP37870

NOTE: INSTALLATION MUST CONFORM TO GOOD SHOP PRACTICES, SAE STANDARDS, RVIA STANDARDS, AND OTHER APPLICABLE STANDARDS.

MP70193 D/D  
 22SEP09