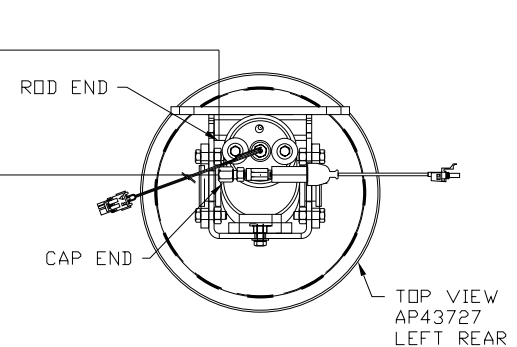
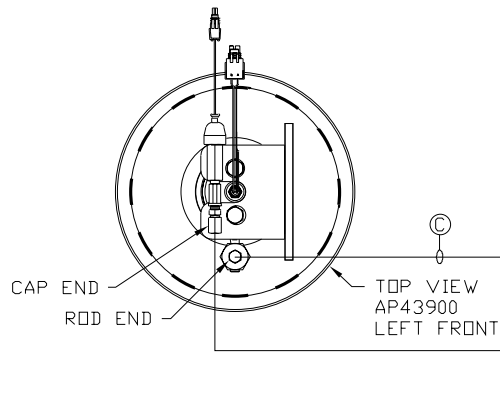
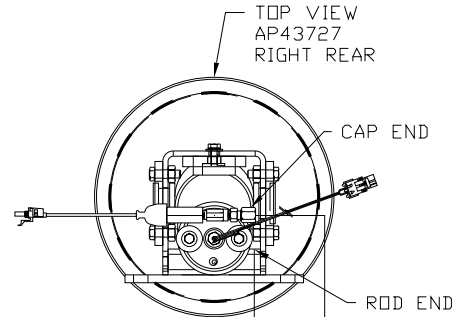
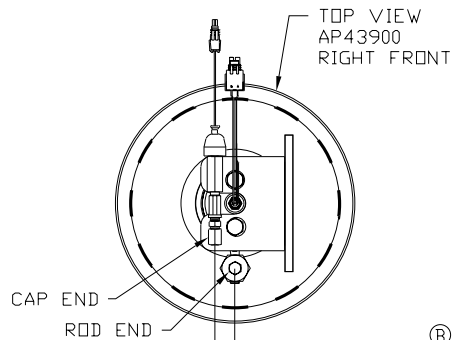


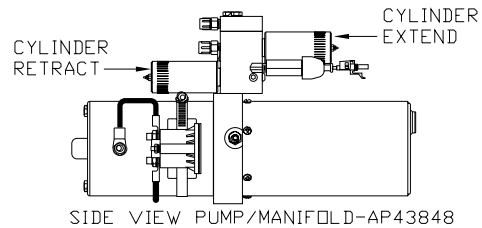
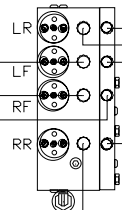
ORIENTATION

← FRONT

- (A) AP5965 HOSE ASSY .25" x 180" - RF ROD END
- (B) AP43436 HOSE ASSY .25/05 x 180" - RF CAP END
- (C) AP5965 HOSE ASSY .25" x 180" - LF ROD END
- (D) AP43436 HOSE ASSY .25/05 x 180" - LF CAP END
- (E) AP7098 HOSE ASSY .25" x 560" - LR ROD END
- (F) AP43896 HOSE ASSY .25/05 x 560" - LR CAP END
- (G) AP7098 HOSE ASSY .25" x 560" - RR ROD END
- (H) AP43896 HOSE ASSY .25/05 x 560" - RR CAP END



FRONT VIEW-MANIFOLD



LOCATION AND ORIENTATION OF
PUMP/MANIFOLD ASSEMBLY WILL
DIFFER DEPENDING UPON O.E.M.

NOTE: CROSS TIES REQUIRED
FOR REAR JACKS

NOTE: INSTALLATION MUST CONFORM TO GOOD SHOP PRACTICES, SAE STANDARDS, RVIA STANDARDS, AND OTHER APPLICABLE STANDARDS.

LEVELING SYSTEM: AP43832

NO.	DATE	REVISION

THE INFORMATION DISCLOSED ON THIS DRAWING IS CONFIDENTIAL AND MUST NOT BE DISCLOSED OR USED IN ANY MANNER WHICH WILL BE DETRIMENTAL TO THE HWH CORPORATION

HWH I-80 EXIT 267 SOUTH
RT 1 MOSCOW, IOWA 52760

SCALE 1:6 DATE 01DEC08 DRAWN BY .

HYD CONN DIAGRAM

MEDICAL COACHES DRAWING NUMBER
MP70080