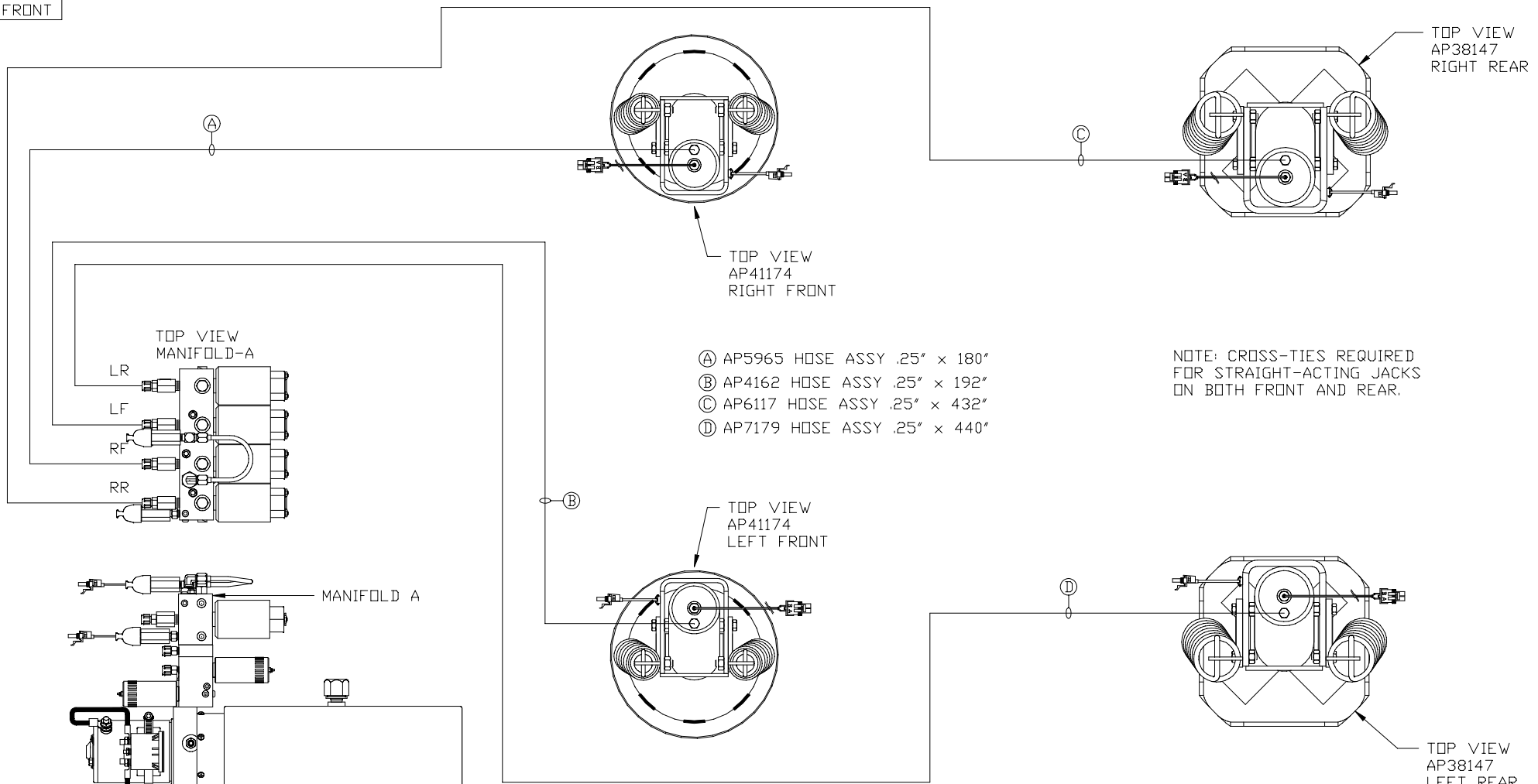
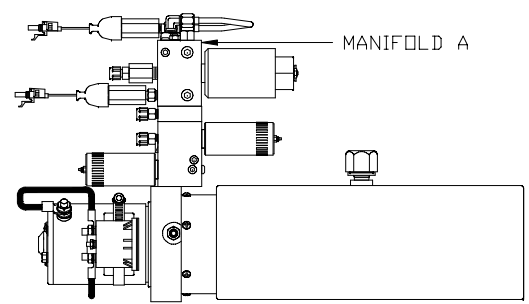


ORIENTATION  
 ← FRONT



- Ⓐ AP5965 HOSE ASSY .25" x 180"
- Ⓑ AP4162 HOSE ASSY .25" x 192"
- Ⓒ AP6117 HOSE ASSY .25" x 432"
- Ⓓ AP7179 HOSE ASSY .25" x 440"

NOTE: CROSS-TIES REQUIRED FOR STRAIGHT-ACTING JACKS ON BOTH FRONT AND REAR.



SIDE VIEW PUMP/MANIFOLD-AP38446  
 LOCATION AND ORIENTATION OF PUMP/MANIFOLD ASSEMBLY WILL DIFFER DEPENDING UPON O.E.M.

		HWH I-80 EXIT 267 SOUTH RT 1 MOSCOW, IOWA 52760	
		SCALE 1:6	DATE 07JUL08
		DRAWN BY .	
NO.	DATE	REVISION	
		HYD CONN DIAGRAM	
		MATTHEWS	
		DRAWING NUMBER MP70029 A/C	

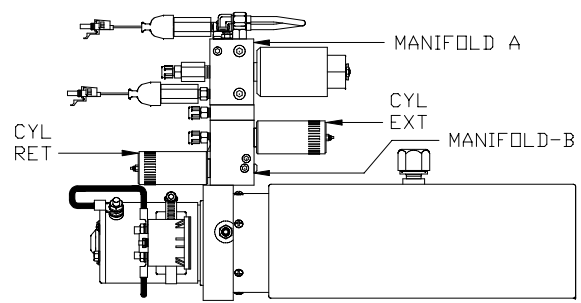
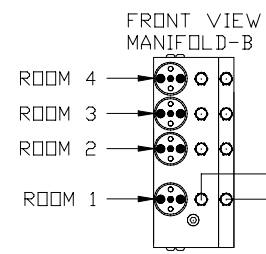
NOTE: INSTALLATION MUST CONFORM TO GOOD SHOP PRACTICES, SAE STANDARDS, RVIA STANDARDS, AND OTHER APPLICABLE STANDARDS.

LEVELING SYSTEM: AP43122

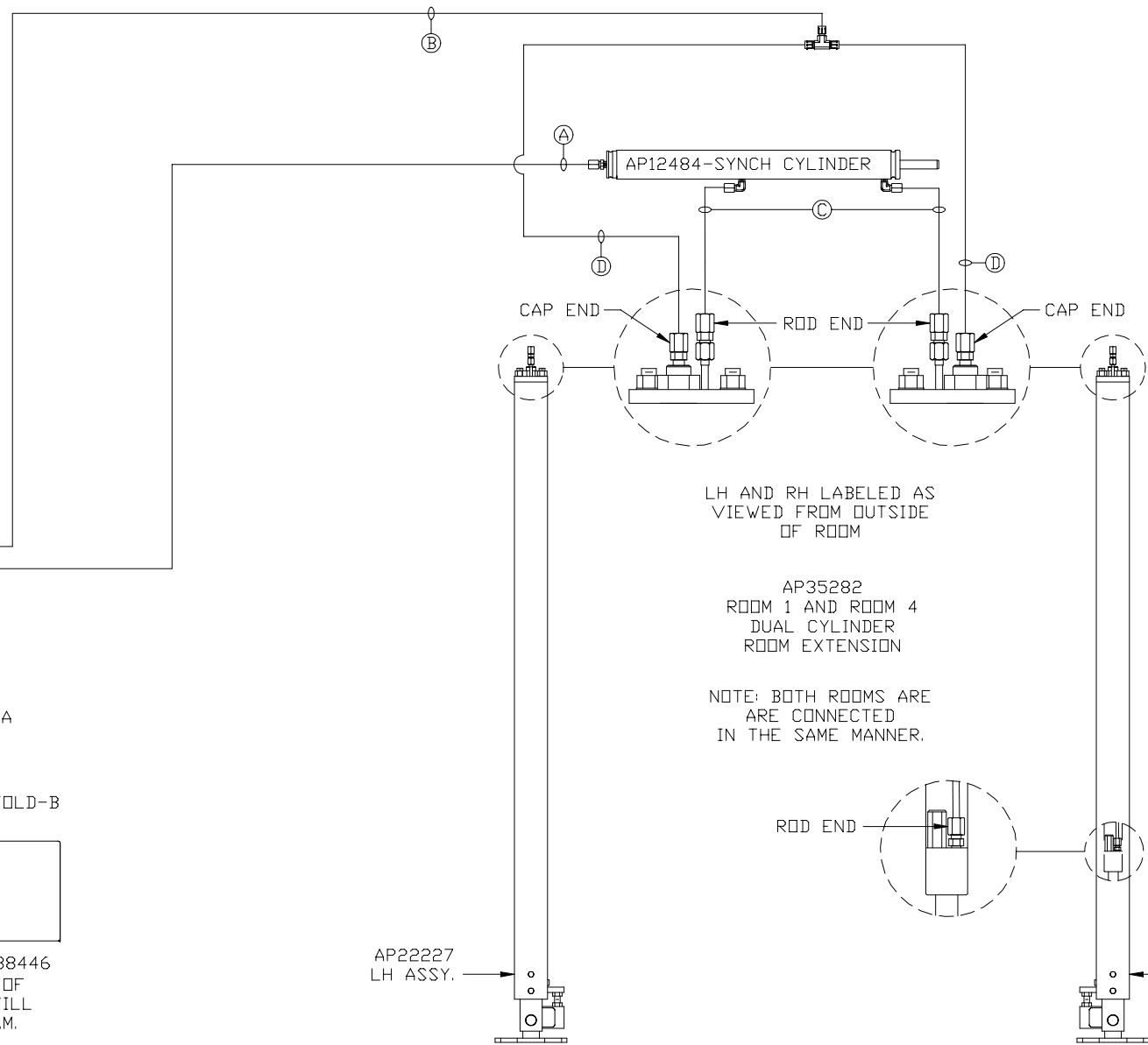
THE INFORMATION DISCLOSED ON THIS DRAWING IS CONFIDENTIAL AND MUST NOT BE DISCLOSED OR USED IN ANY MANNER WHICH WILL BE DETRIMENTAL TO THE HWH CORPORATION

ORIENTATION  
 ← FRONT

- Ⓐ .25" ID HOSE  
ROD END - ALWAYS PRESSURIZED
- Ⓑ .25" ID HOSE  
CAP END
- Ⓒ .125" ID HOSE  
ROD END - ALWAYS PRESSURIZED - MUST  
BE HIGH PRESSURE HOSES OF EQUAL  
LENGTH AND DIAMETER
- Ⓓ .125" ID HOSE  
CAP END - MUST MAINTAIN EQUAL LENGTH  
AND DIAMETER



SIDE VIEW PUMP/MANIFOLD-AP38446  
 LOCATION AND ORIENTATION OF  
 PUMP/MANIFOLD ASSEMBLY WILL  
 DIFFER DEPENDING UPON O.E.M.



NOTE: INSTALLATION MUST CONFORM TO GOOD SHOP PRACTICES, SAE  
 STANDARDS, RVIA STANDARDS, AND OTHER APPLICABLE STANDARDS.

MP70029 B/C  
 07JUL08

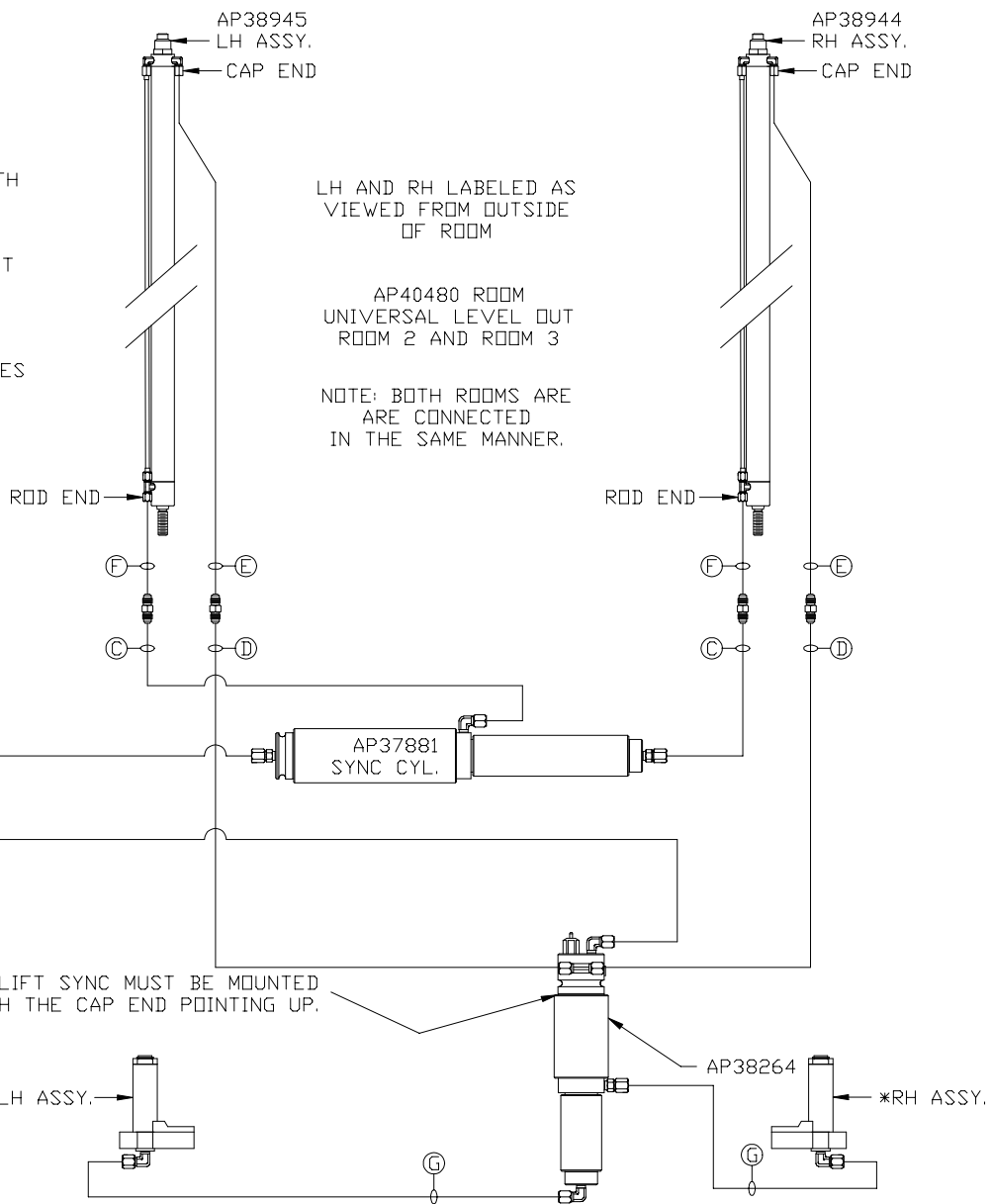
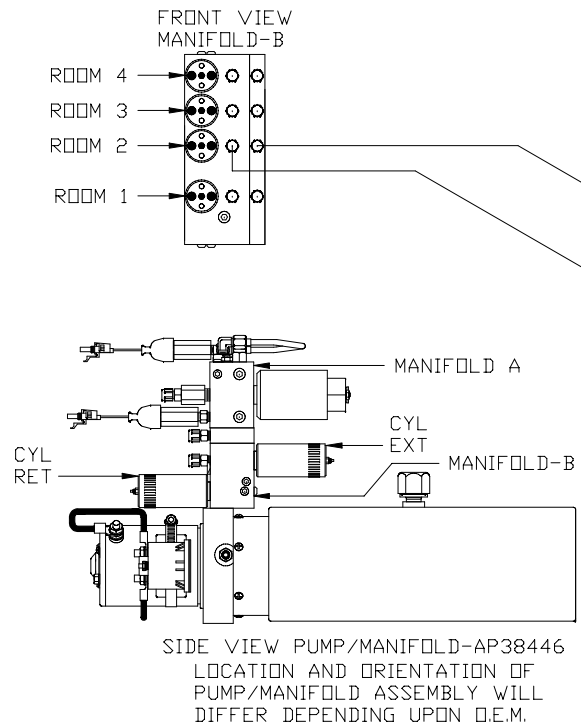
ORIENTATION  
← FRONT

\*: PART OF THE ROOM  
EXTENSION MECHANISM.

- (A) .25" ID HOSE  
ROD END - ALWAYS PRESSURIZED
- (B) .25" ID HOSE  
CAP END
- (C) .125" ID HOSE  
ROD END - ALWAYS PRESSURIZED - MUST  
BE HIGH PRESSURE HOSES OF EQUAL  
LENGTH AND DIAMETER
- (D) .125" ID HOSE  
CAP END - MUST MAINTAIN EQUAL LENGTH  
AND DIAMETER

NOTE: HOSES (E) AND (F) ARE INCLUDED  
WITH THE ROOM EXTENSION MECHANISM.

- (E) AP24818 HOSE ASSY HWH02HP x 86"  
CAP END - MUST MAINTAIN EQUAL LENGTH  
AND DIAMETER
- (F) AP24632 HOSE ASSY HWH02HP x 48"  
ROD END - ALWAYS PRESSURIZED - MUST  
BE HIGH PRESSURE HOSES OF EQUAL  
LENGTH AND DIAMETER
- (G) .125" ID HOSE  
CAP END - MUST BE HIGH PRESSURE HOSES  
OF EQUAL LENGTH AND DIAMETER



LH AND RH LABELED AS  
VIEWED FROM OUTSIDE  
OF ROOM

AP40480 ROOM  
UNIVERSAL LEVEL OUT  
ROOM 2 AND ROOM 3

NOTE: BOTH ROOMS ARE  
CONNECTED  
IN THE SAME MANNER.

NOTE: LIFT SYNC MUST BE MOUNTED  
WITH THE CAP END POINTING UP.

NOTE: INSTALLATION MUST CONFORM TO GOOD SHOP PRACTICES, SAE  
STANDARDS, RVIA STANDARDS, AND OTHER APPLICABLE STANDARDS.

MP70029 C/C  
07JUL08