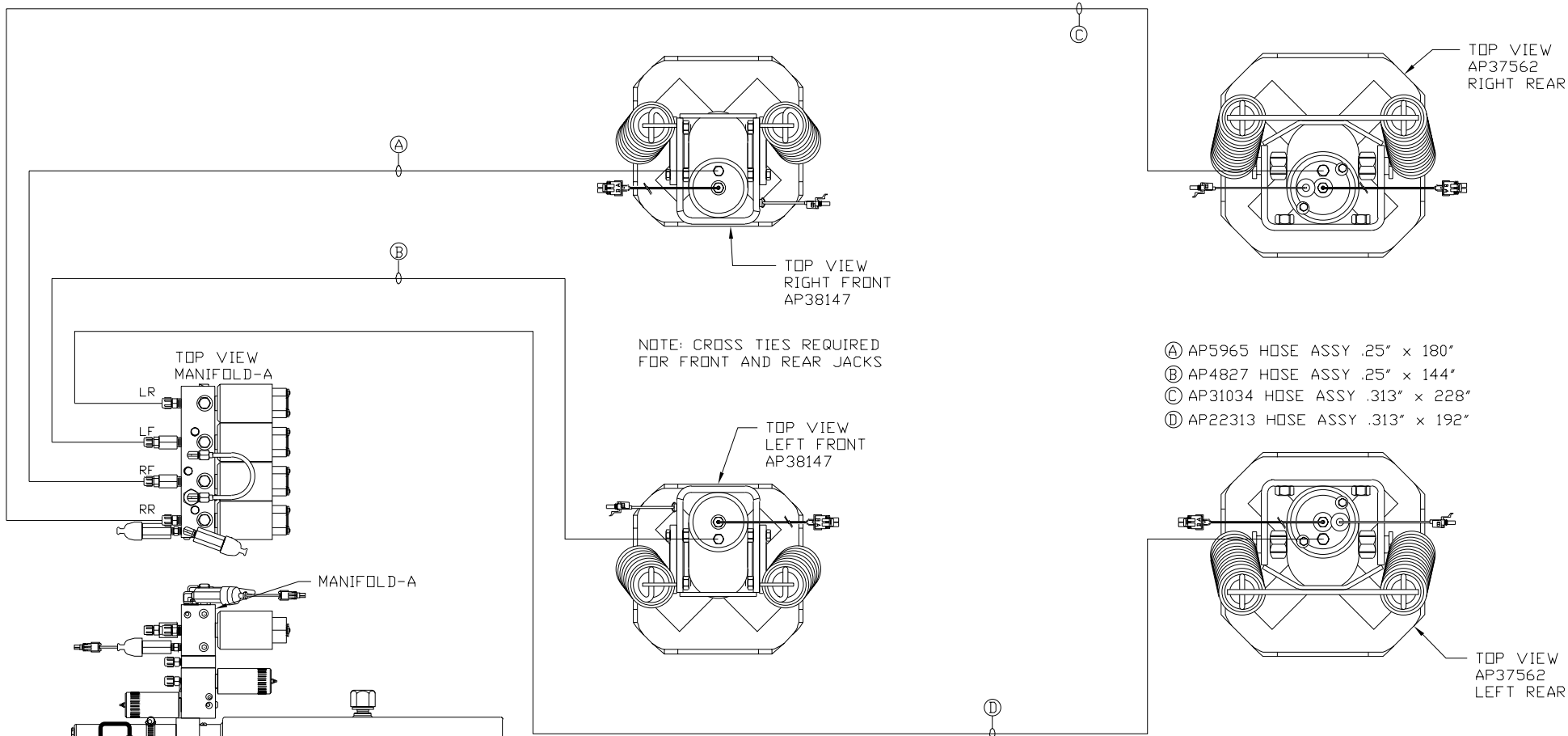


ORIENTATION

← FRONT



SIDE VIEW PUMP/MANIFOLD-AP39438

LOCATION AND ORIENTATION OF PUMP/MANIFOLD ASSEMBLY WILL DIFFER DEPENDING UPON O.E.M.

NOTE: INSTALLATION MUST CONFORM TO GOOD SHOP PRACTICES, SAE STANDARDS, RVIA STANDARDS, AND OTHER APPLICABLE STANDARDS.

LEVELING SYSTEM: AP43109

NO.	DATE	REVISION
THE INFORMATION DISCLOSED ON THIS DRAWING IS CONFIDENTIAL AND MUST NOT BE DISCLOSED OR USED IN ANY MANNER WHICH WILL BE DETRIMENTAL TO THE HWH CORPORATION		

HWH I-80 EXIT 267 SOUTH
RT 1 MOSCOW, IOWA 52760

SCALE 1:6 DATE 02JUL08 DRAWN BY .

HYD CONN DIAGRAM

SVI TRUCKS DRAWING NUMBER MP70027 A/B

ORIENTATION

← FRONT

*: PART OF THE ROOM EXTENSION MECHANISM.

(A) .25" ID HOSE
ROD END - ALWAYS PRESSURIZED

(B) .25" ID HOSE
CAP END

(C) .125" ID HOSE
ROD END - ALWAYS PRESSURIZED - MUST BE HIGH PRESSURE HOSES OF EQUAL LENGTH AND DIAMETER

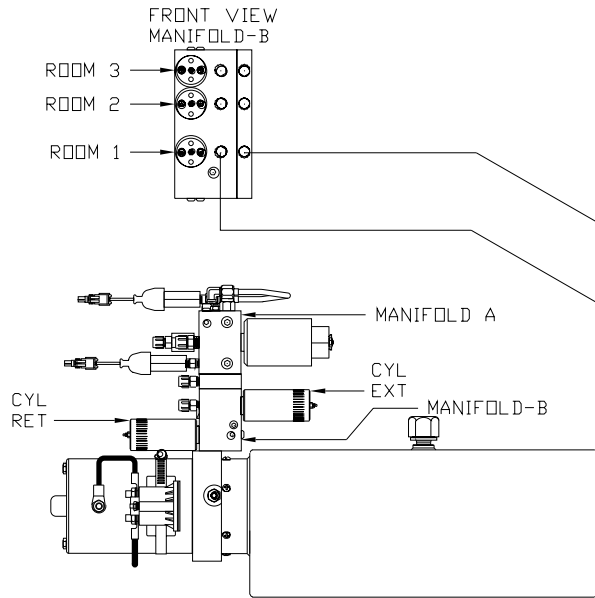
(D) .125" ID HOSE
CAP END - MUST MAINTAIN EQUAL LENGTH AND DIAMETER

NOTE: HOSES (E) AND (F) ARE INCLUDED WITH THE ROOM EXTENSION MECHANISM.

(E) AP24818 HOSE ASSY HWH02HP x 86" CAP END - MUST MAINTAIN EQUAL LENGTH AND DIAMETER

(F) AP24632 HOSE ASSY HWH02HP x 48" ROD END - ALWAYS PRESSURIZED - MUST BE HIGH PRESSURE HOSES OF EQUAL LENGTH AND DIAMETER

(G) .125" ID HOSE
CAP END - MUST BE HIGH PRESSURE HOSES OF EQUAL LENGTH AND DIAMETER



SIDE VIEW PUMP/MANIFOLD-AP39438
LOCATION AND ORIENTATION OF PUMP/MANIFOLD ASSEMBLY WILL DIFFER DEPENDING UPON D.E.M.

NOTE: INSTALLATION MUST CONFORM TO GOOD SHOP PRACTICES, SAE STANDARDS, RVIA STANDARDS, AND OTHER APPLICABLE STANDARDS.

