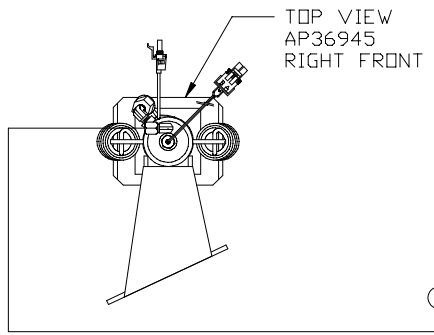
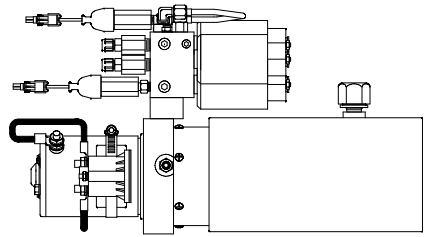
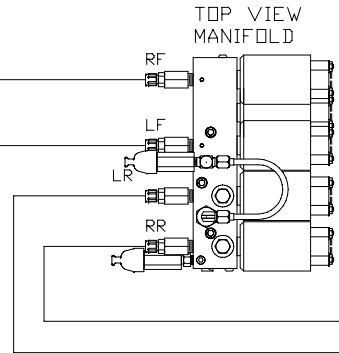
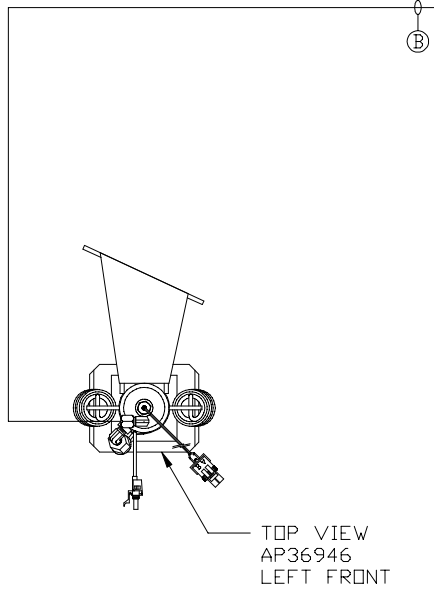
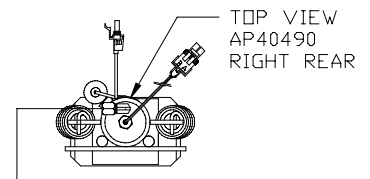


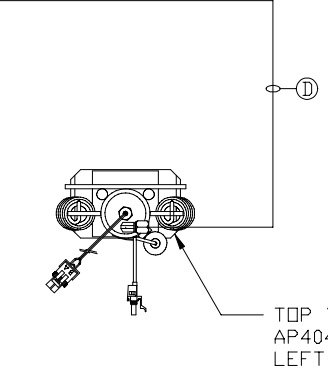
ORIENTATION  
 ← FRONT



- Ⓐ AP4162 HOSE ASSY .25" x 192"
- Ⓑ AP6115 HOSE ASSY .25" x 168"
- Ⓒ AP4063 HOSE ASSY .25" x 288"
- Ⓓ AP7385 HOSE ASSY .25" x 252"



LOCATION AND ORIENTATION OF  
 PUMP/MANIFOLD ASSEMBLY WILL  
 DIFFER DEPENDING UPON O.E.M.



NOTE: INSTALLATION MUST CONFORM TO GOOD SHOP PRACTICES, SAE STANDARDS, RVIA STANDARDS, AND OTHER APPLICABLE STANDARDS.

LEVELING SYSTEM: AP40481

NO.	DATE	REVISION
THE INFORMATION DISCLOSED ON THIS DRAWING IS CONFIDENTIAL AND MUST NOT BE DISCLOSED OR USED IN ANY MANNER WHICH WILL BE DETRIMENTAL TO THE HWH CORPORATION		

HWH		I-80 EXIT 267 SOUTH RT 1 MOSCOW, IOWA 52760	
SCALE 1:6	DATE 12APR07	DRAWN BY .	
HYD CONN DIAGRAM			
MATTHEWS SPEC.			DRAWING NUMBER MP69797