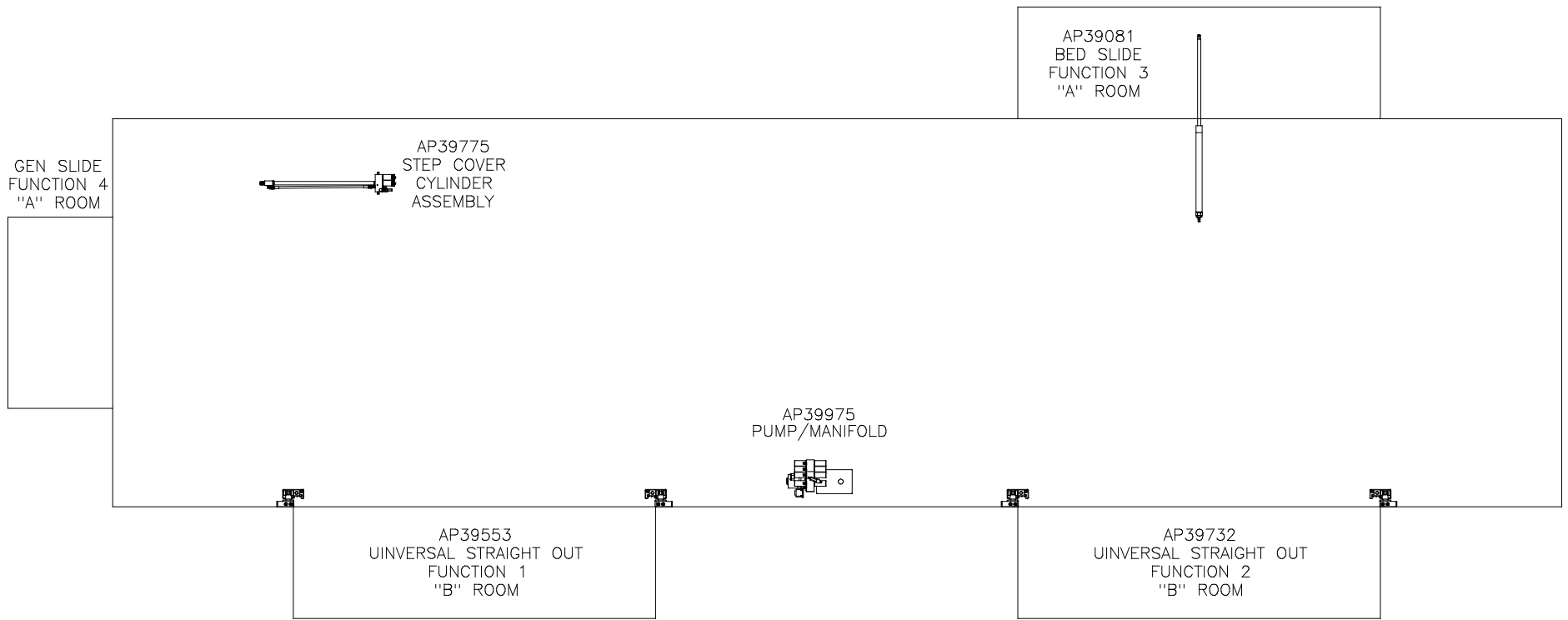


ORIENTATION
 ← FRONT

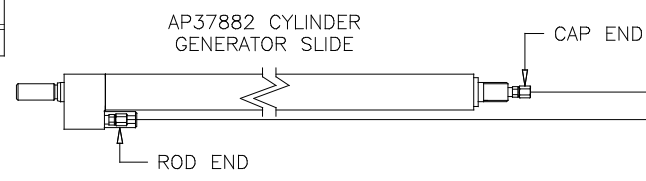


NOTE: INSTALLATION MUST CONFORM TO GOOD SHOP PRACTICES, SAE STANDARDS, RVIA STANDARDS, AND OTHER APPLICABLE STANDARDS.

LEVELING SYSTEM: AP39980

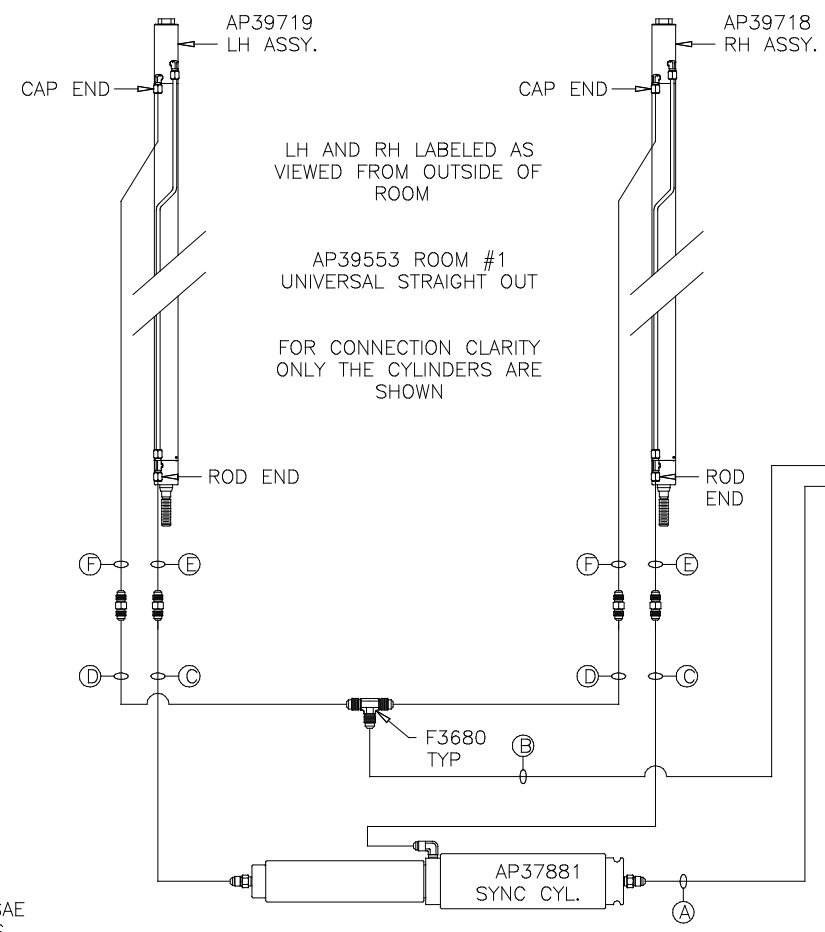
		HWH		I-80 EXIT 267 SOUTH RT 1 MOSCOW, IOWA 52760	
		SCALE 1:6	DATE 19FEB07	DRAWN BY .	
1		01FEB13		WAS AP39733 & AP39734	
1		24JUL12		UPDATED HOSES	
NO.	DATE	REVISION			
THE INFORMATION DISCLOSED ON THIS DRAWING IS CONFIDENTIAL AND MUST NOT BE DISCLOSED OR USED IN ANY MANNER WHICH WILL BE DETRIMENTAL TO THE HWH CORPORATION					
FORETRAVEL				DRAWING NUMBER MP69755 A/D	

ORIENTATION
 ← FRONT



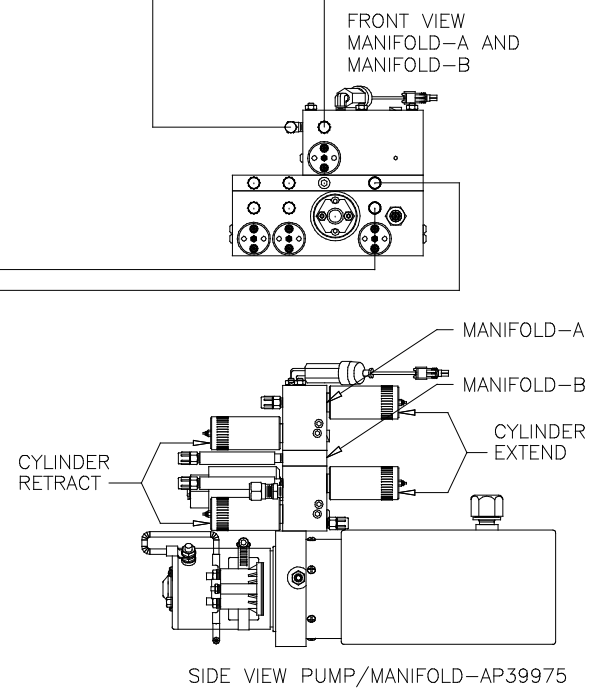
NOTE: HOSES (E) AND (F) ARE INCLUDED WITH THE ROOM EXTENSION MECHANISM

- (A) AP4074 HOSE ASSY .25 x 108"
 WAS AP24632 HOSE ASSY HWH02HP x 48"
 ROD END - ALWAYS PRESSURIZED
- (B) AP7099 HOSE ASSY .25 x 110"
 WAS AP3314 HOSE ASSY .25 x 48"
 CAP END
- (C) AP24667 HOSE ASSY HWH02HP x 312"
 ROD END - ALWAYS PRESSURIZED - MUST BE HIGH PRESSURE HOSES OF EQUAL LENGTH AND DIAMETER
- (D) AP5216 HOSE ASSY .25 x 312"
 CAP END - MUST MAINTAIN EQUAL LENGTH AND DIAMETER
- (E) AP24632 HOSE ASSY HWH02HP x 48"
 ROD END - ALWAYS PRESSURIZED - MUST BE HIGH PRESSURE HOSES OF EQUAL LENGTH AND DIAMETER
- (F) AP24818 HOSE ASSY HWH02HP x 86"
 CAP END - MUST MAINTAIN EQUAL LENGTH AND DIAMETER
- (G) AP13851 HOSE ASSY .25 x 318"
 WAS AP24667 HOSE ASSY HWH02HP x 312"
 ROD END - ALWAYS PRESSURIZED
- (H) AP5216 HOSE ASSY .25 x 312"
 WAS AP24673 HOSE ASSY HWH02HP x 384"
 CAP END



LH AND RH LABELED AS VIEWED FROM OUTSIDE OF ROOM

FOR CONNECTION CLARITY ONLY THE CYLINDERS ARE SHOWN

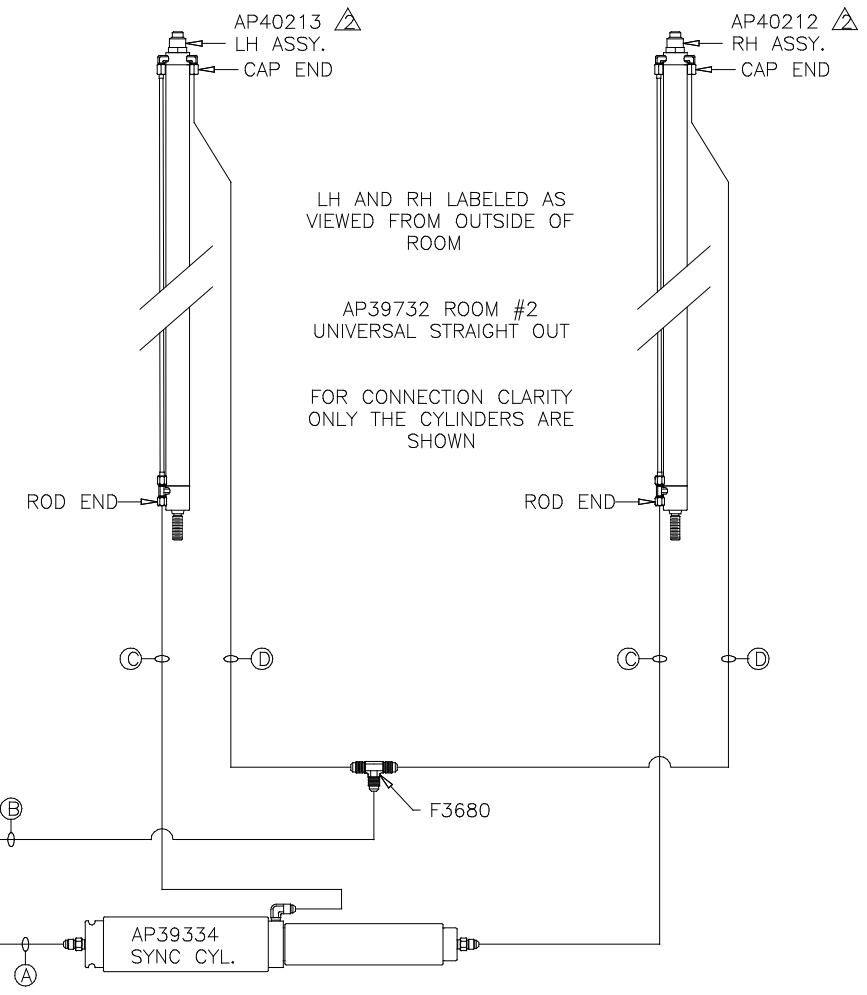
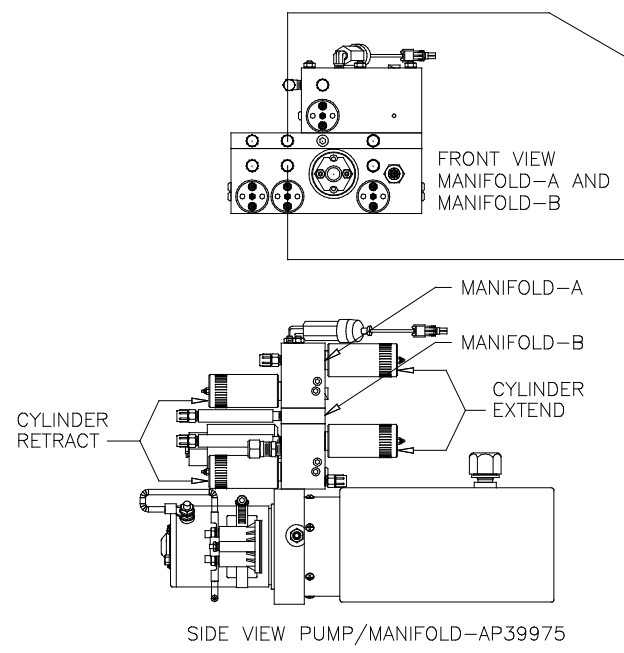


NOTE: INSTALLATION MUST CONFORM TO GOOD SHOP PRACTICES, SAE STANDARDS, RVIA STANDARDS, AND OTHER APPLICABLE STANDARDS.

ORIENTATION
 ← FRONT

NOTE: HOSES (C) AND (D) ARE INCLUDED WITH THE ROOM EXTENSION MECHANISM

- (A) AP4064 HOSE ASSY .25 x 300"
 WAS AP24666 HOSE ASSY HWH02HP x 300"
 ROD END - ALWAYS PRESSURIZED
- (B) AP4904 HOSE ASSY .25 x 306"
 WAS AP23741 HOSE ASSY HWH02HP x 306"
 CAP END
- (C) AP25086 HOSE ASSY HWH02HP x 78"
 WAS AP24631 HOSE ASSY HWH02HP x 42"
 ROD END - ALWAYS PRESSURIZED - MUST BE HIGH PRESSURE HOSES OF EQUAL LENGTH AND DIAMETER
- (D) AP24819 HOSE ASSY HWH02HP x 100"
 WAS AP24637 HOSE ASSY HWH02HP x 66"
 CAP END - MUST MAINTAIN EQUAL LENGTH AND DIAMETER



NOTE: INSTALLATION MUST CONFORM TO GOOD SHOP PRACTICES, SAE STANDARDS, RVIA STANDARDS, AND OTHER APPLICABLE STANDARDS.

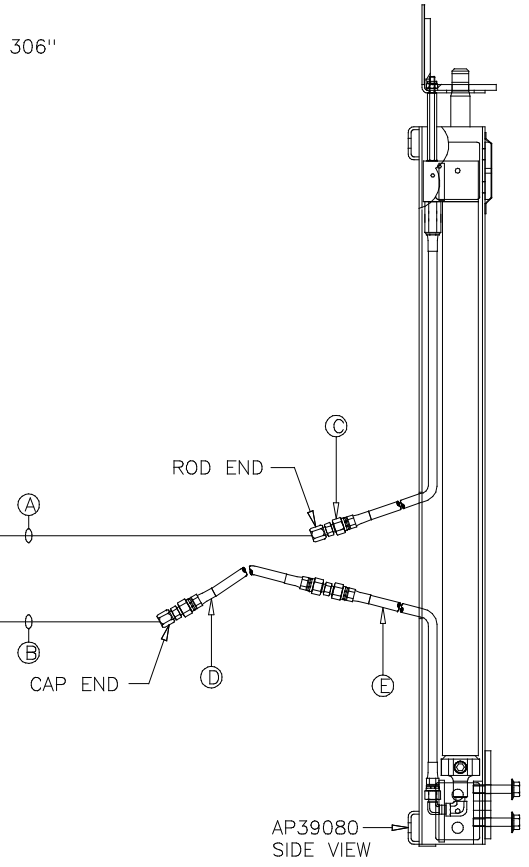
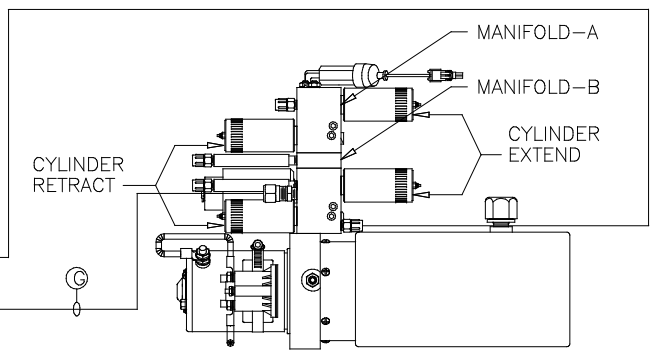
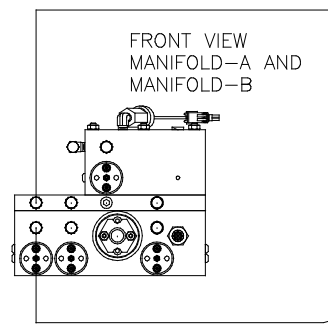
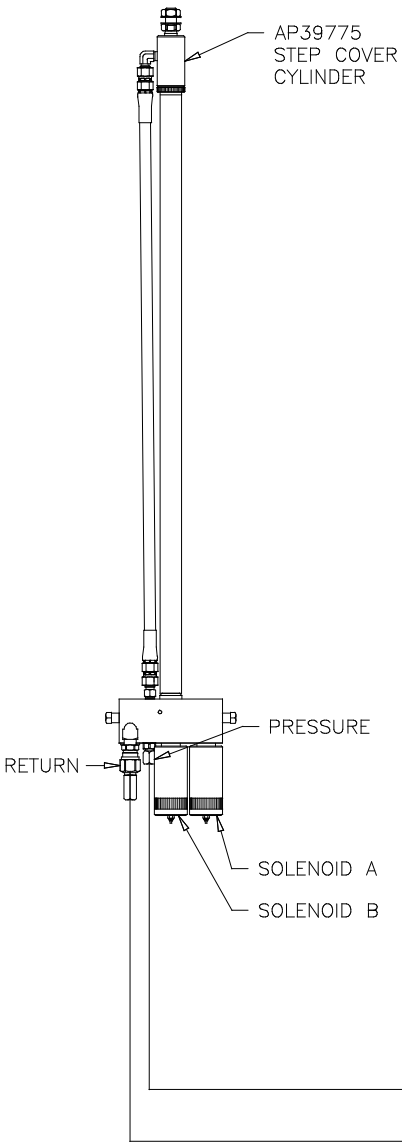
MP69755 C/D
 01FEB13

ORIENTATION
 ← FRONT

NOTE: HOSES (C), (D) AND (E) ARE INCLUDED WITH THE ROOM EXTENSION MECHANISM

- (A) AP4164 HOSE ASSY .25" x 384"
 WAS AP24672 HOSE ASSY HWH02HP x 372"
 ROD END - ALWAYS PRESSURIZED
- (B) AP4391 HOSE ASSY .25 x 372"
 CAP END
- (C) AP24632 HOSE ASSY HWH02HP x 48"
 ROD END - ALWAYS PRESSURIZED
- (D) AP24628 HOSE ASSY HWH02HP x 24.25"
 CAP END
- (E) AP25677 HOSE ASSY HWH02HP x 20"
 CAP END
- (G) P12741 RETURN LINE .5" X 312"
 RETURN
- (H) AP23741 HOSE ASSY HWH02HP x 306"
 PRESSURE

ROOM #3
 AP39081
 BED SLIDE KIT



NOTE: INSTALLATION MUST CONFORM TO GOOD SHOP PRACTICES, SAE STANDARDS, RVIA STANDARDS, AND OTHER APPLICABLE STANDARDS.

SIDE VIEW PUMP/MANIFOLD-AP39975