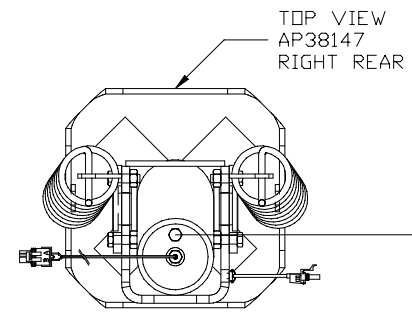
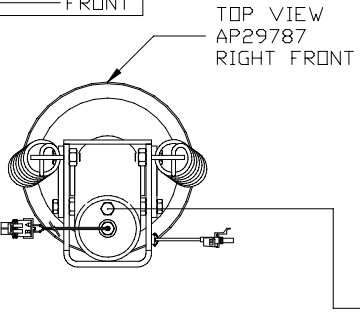


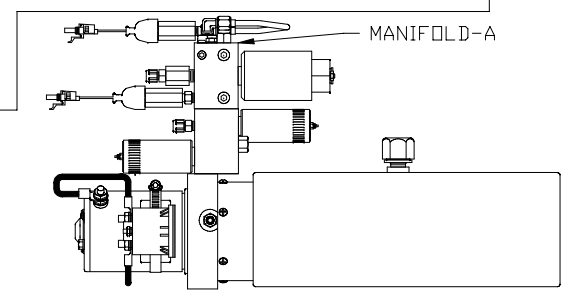
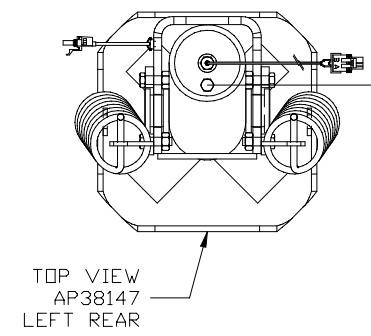
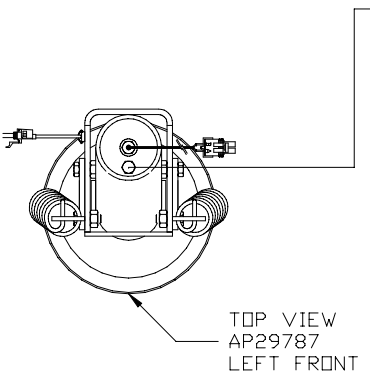
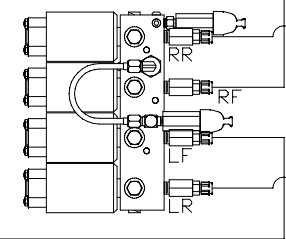
ORIENTATION
FRONT



- Ⓐ AP7179 HOSE ASSY .25" x 440"
- Ⓑ AP6117 HOSE ASSY .25" x 432"
- Ⓒ AP4162 HOSE ASSY .25" x 192"
- Ⓓ AP5965 HOSE ASSY .25" x 180"

CROSS TIES REQUIRED FOR
FRONT AND REAR JACKS

TOP VIEW
MANIFOLD-A



ORIENTATION OF POWER UNIT IS GLASS NORTH

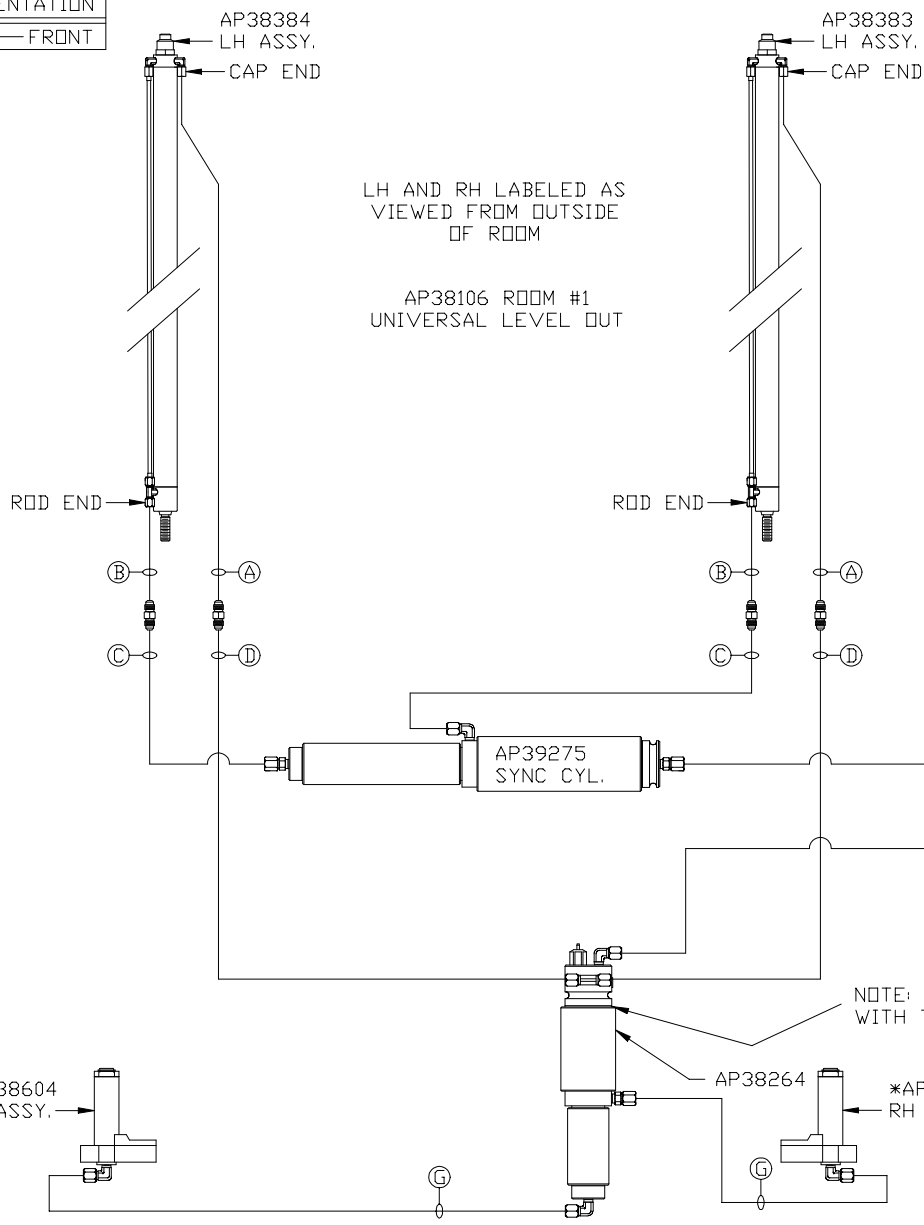
NOTE: INSTALLATION MUST CONFORM TO GOOD SHOP PRACTICES, SAE STANDARDS, RVIA STANDARDS, AND OTHER APPLICABLE STANDARDS.

LEVELING SYSTEM: AP39967

1	11APR07	ADDED INSTALLATION NOTE
NO.	DATE	REVISION
THE INFORMATION DISCLOSED ON THIS DRAWING IS CONFIDENTIAL AND MUST NOT BE DISCLOSED OR USED IN ANY MANNER WHICH WILL BE DETRIMENTAL TO THE HWH CORPORATION		

HWH		I-80 EXIT 267 SOUTH RT 1 MOSCOW, IOWA 52760	
SCALE 1:6	DATE 15JAN07	DRAWN BY	
HYD CONN DIAGRAM			
MATTHEWS			DRAWING NUMBER MP69743 A/B

ORIENTATION
← FRONT

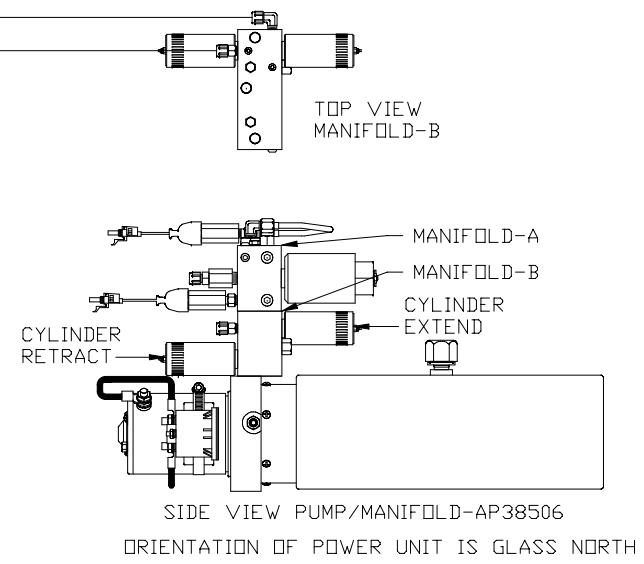


*: AP38604 IS PART OF THE ROOM EXTENSION MECHANISM.

- (A) AP24818 HOSE ASSY HWH02HP x 86"
CAP END - MUST MAINTAIN EQUAL LENGTH AND DIAMETER
- (B) AP24632 HOSE ASSY HWH02HP x 48"
ROD END - ALWAYS PRESSURIZED - MUST BE HIGH PRESSURE HOSES OF EQUAL LENGTH AND DIAMETER
- (C) OEM SUPPLIED HOSE
ROD END - ALWAYS PRESSURIZED - MUST BE HIGH PRESSURE HOSES OF EQUAL LENGTH AND DIAMETER
- (D) OEM SUPPLIED HOSE
CAP END - MUST MAINTAIN EQUAL LENGTH AND DIAMETER

NOTE: HOSES (A) AND (B) ARE INCLUDED WITH THE ROOM EXTENSION MECHANISM.

- (E) OEM SUPPLIED HOSE
ROD END - ALWAYS PRESSURIZED
- (F) OEM SUPPLIED HOSE
CAP END
- (G) OEM SUPPLIED HOSE
CAP END - MUST BE HIGH PRESSURE HOSES OF EQUAL LENGTH AND DIAMETER



NOTE: INSTALLATION MUST CONFORM TO GOOD SHOP PRACTICES, SAE STANDARDS, RVIA STANDARDS, AND OTHER APPLICABLE STANDARDS.